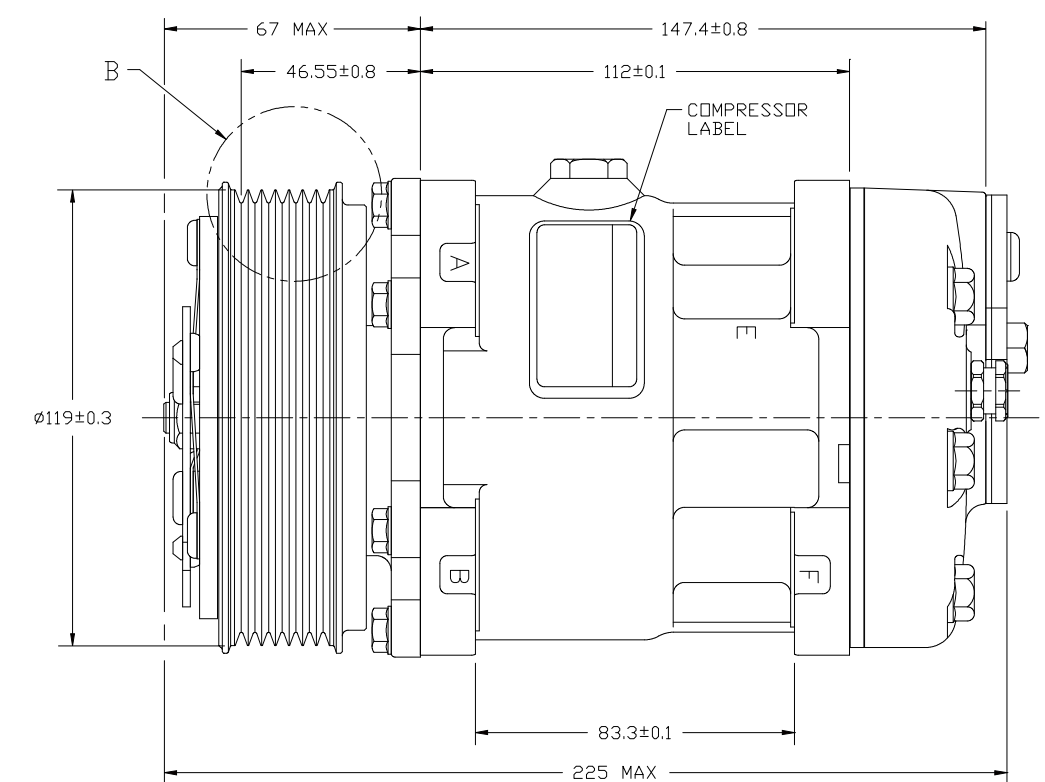
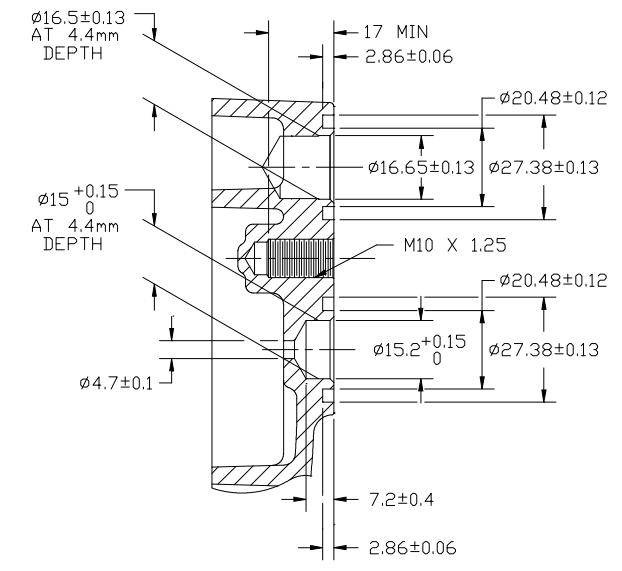


DETAIL B
SCALE: 3:1

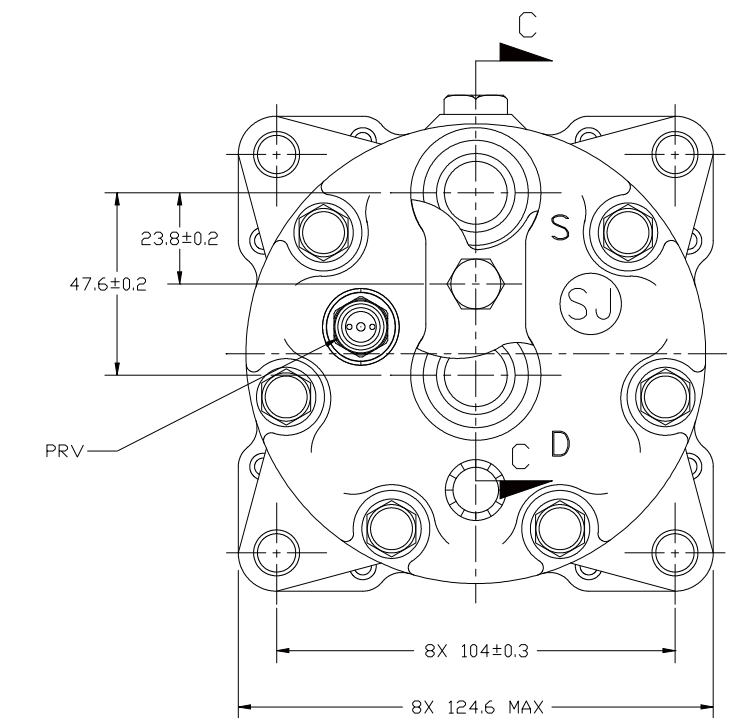


CLUTCH SPECIFICATIONS (REF)

RATED VOLTAGE	DC 12V
BREAKAWAY TORQUE	3.5 kgf-m min. @ 12V
MINIMUM ENGAGEMENT VOLTAGE @ 20°C	7.5VDC @ AIR GAP 0.6mm
POWER CONSUMPTION	49 watts MAX
BELT TYPE	PV7 TYPE
MAXIMUM ALLOWABLE BELT TENSION	120 kgf
PULLEY DIAMETER	$\phi 119$ mm
CLUTCH TYPE	STANDARD



SECTION C-C
SECTION WITH O-RINGS, SHIPPING PAD ASSEMBLY, AND BOLT REMOVED



COMPRESSOR SPECIFICATIONS (REF)

DISPLACEMENT PER REVOLUTION	154.9 cc/rev.
MAXIMUM ALLOWABLE R.P.M.	8000 rpm
MAXIMUM ALLOWABLE CONTINUOUS R.P.M.	6000 rpm
REFRIGERANT	R134a
OIL (SP-15)	74±10 cc
WEIGHT	7.10 kg

DO NOT SCALE

PDCN	REV.	APPV	DATE	REVISIONS	DWN	DSGN	CHK	APPV
				INITIAL ISSUE				

REV. LEVEL	RELEASED FOR: ENGR. DEVELOPMENT	<p>SANDEN INTERNATIONAL (U.S.A.), INC.</p>
DSGN	Dennis Lee 10/15/10	
DWN	Dennis Lee 10/15/10	<p>SCALE REF 1:1</p> <p>PLOTTED SCALE REF NONE</p> <p>METRIC</p>
CHR	Melissa Nagorny	
APPV.	Maden Farach	<p>This drawing and the information contained hereon are CONFIDENTIAL and PROPRIETARY to Sanden International (U.S.A.), Inc., and are received in CONFIDENCE and shall not be used, copied, or disclosed to others without the written permission of Sanden International (U.S.A.), Inc.</p>
DATE	11-2-10	
REV. LEVEL	RELEASED FOR: DESIGN VALIDATION	<p>INTERPRETATION OF THIS DRAWING PER ASME Y14.5M-1994</p>
DSGN	Dennis Lee 11/2/10	
APPV.	Maden Farach	<p>THIRD ANGLE PROJECTION</p>
DATE	11-2-10	
REV. LEVEL	RELEASED FOR: PRODUCTION VAL'D.	<p>MATERIAL:</p>
DSGN	Dennis Lee 11/2/10	
APPV.	Maden Farach	<p>NAME</p>
DATE	11-2-10	
REV. LEVEL	RELEASED FOR: PRODUCTION	<p>COMPRESSOR</p>
DSGN	Dennis Lee 11/2/10	
APPV.	Maden Farach	<p>DWG. NO.</p>
DATE	11-2-10	
		<p>4010U-6000</p>
		<p>REV A</p>