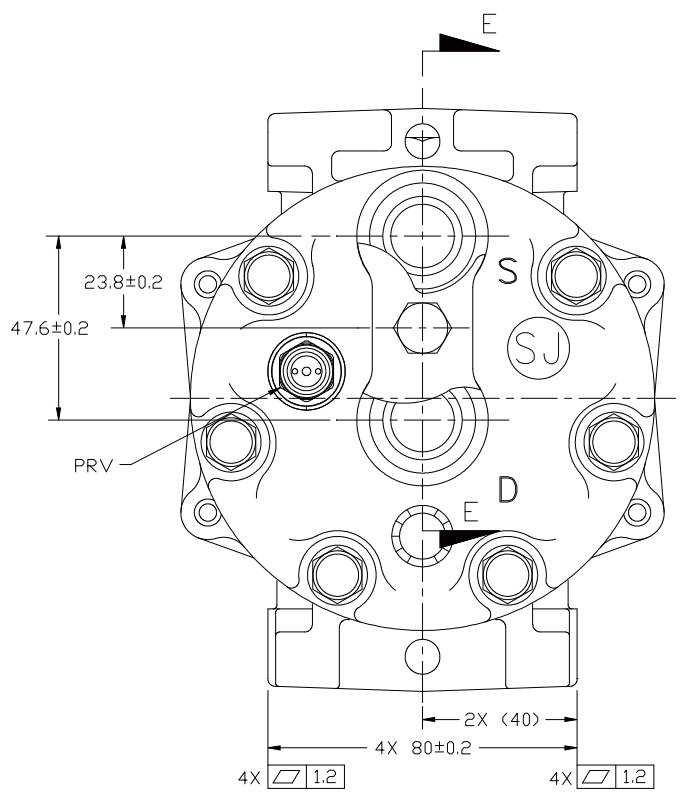
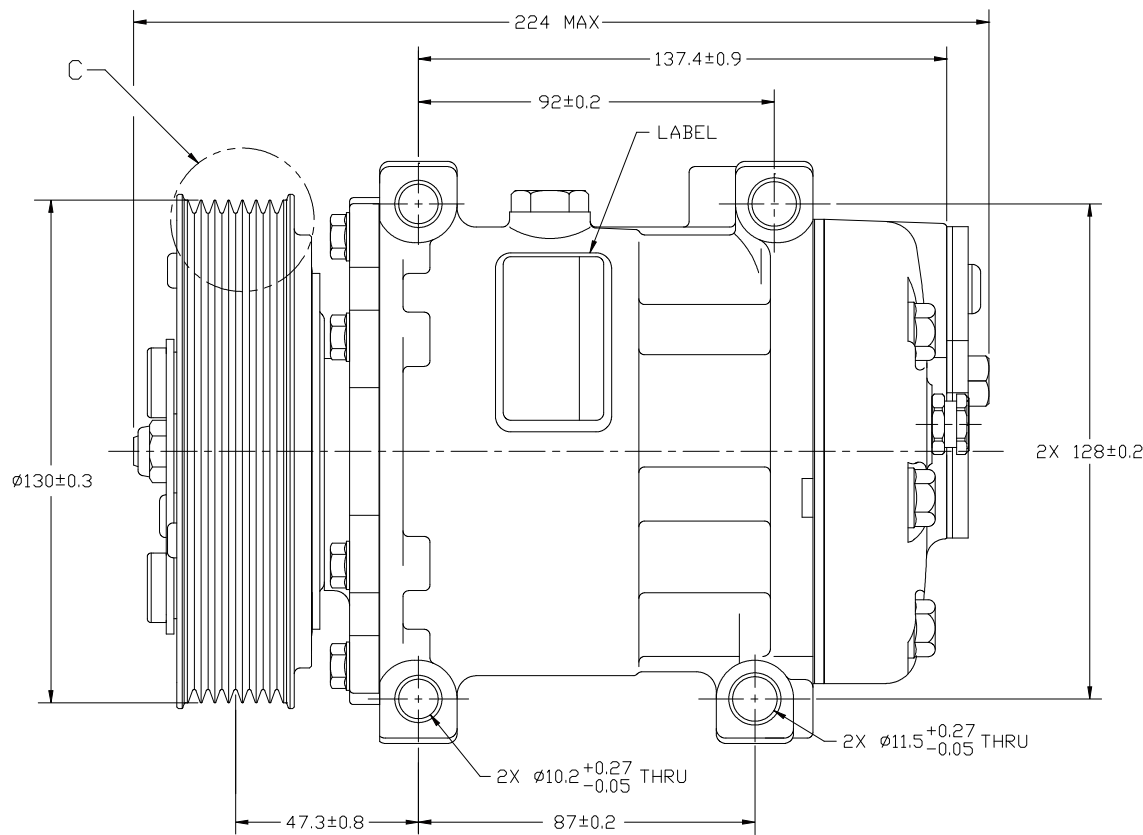
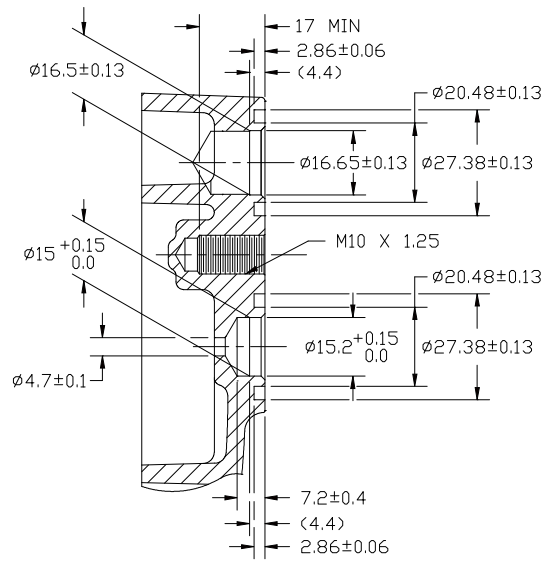
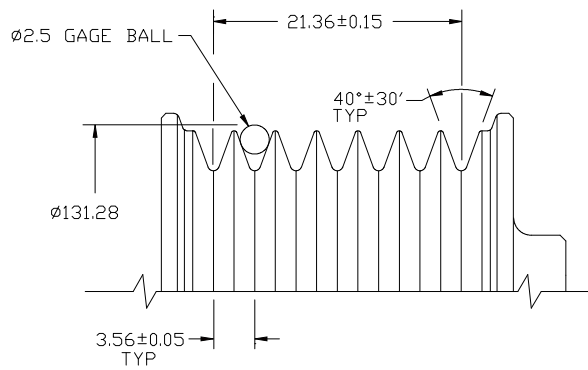
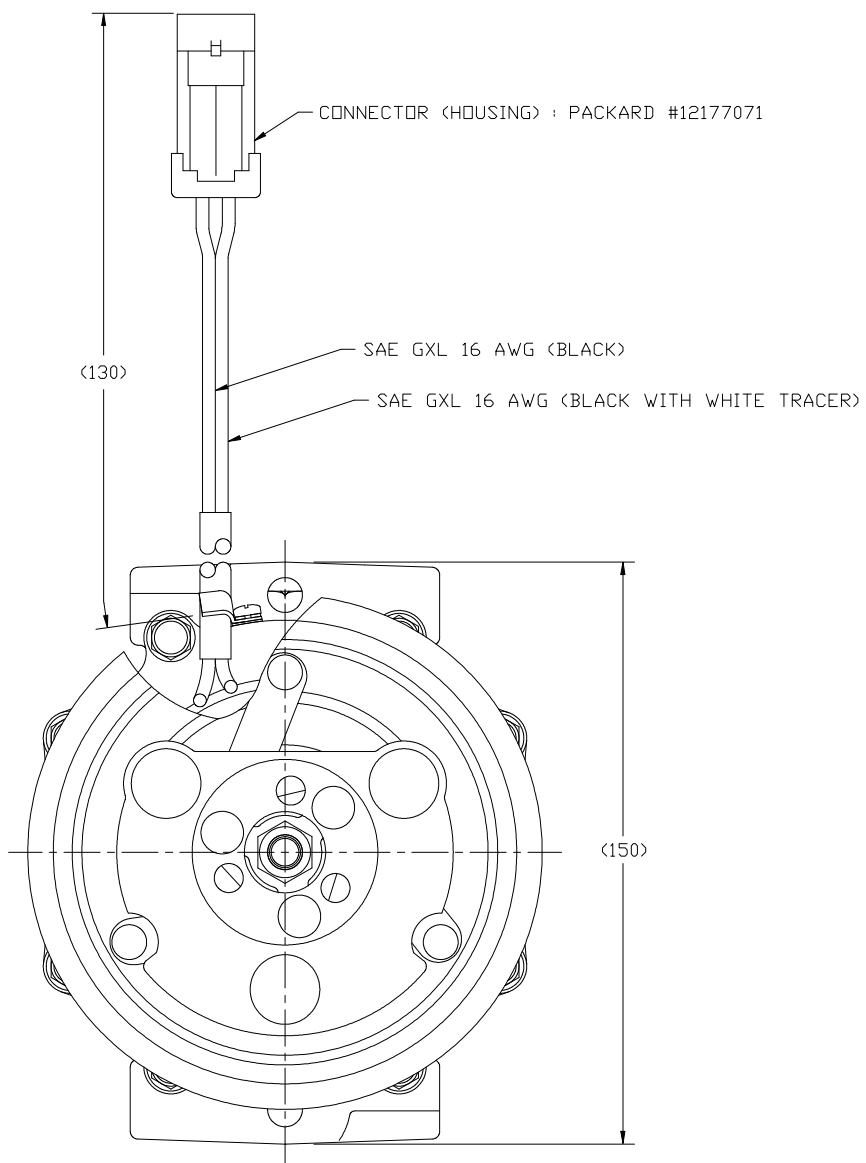
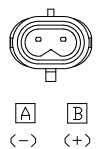


PDCN	REV.	APPV DATE	REVISIONS	DWN	DSGN	CHK	APPV
			INITIAL ISSUE				



COMPRESSOR SPECIFICATIONS (REF)

DISPLACEMENT PER REVOLUTION	154.9 cc/rev.
MAXIMUM ALLOWABLE R.P.M.	8000 R.P.M.
MAXIMUM ALLOWABLE CONTINUOUS R.P.M.	6000 R.P.M.
REFRIGERANT	R134a
OIL ( SP-15 )	74±10 cc
WEIGHT	7.290 kg

CLUTCH SPECIFICATIONS (REF)

RATED VOLTAGE	DC 12V
BREAKAWAY TORQUE	3.5 kgf-m min. @ 12V
MINIMUM ENGAGEMENT VOLTAGE	7.5V max. @ AIR GAP 0.6mm
POWER CONSUMPTION	49 watts max.
BELT TYPE	PV7
MAXIMUM ALLOWABLE BELT TENSION	120 kgf
PULLEY DIAMETER	Ø130mm
CLUTCH TYPE	STANDARD

REV. LEVEL	RELEASED FOR ENGG DEVELOPMENT	<p>SANDEN INTERNATIONAL ( U.S.A. ), INC.</p>	DRAWN SCALE REF	1:1	PLOTTED SCALE REF	NONE	METRIC	
A	DSGN Dennis Lee 10/14/10 DWN Dennis Lee 10/14/10 CHK J. Sokolowski APPV Hoden Farah DATE 11-10-10		This drawing and the information contained hereon are CONFIDENTIAL and PROPRIETARY to Sanden International (U.S.A.), Inc. and shall not be used, copied, or disclosed to others without the written permission of Sanden International (U.S.A.), Inc.					
REV. LEVEL	RELEASED FOR DESIGN VALIDATION	INTERPRETATION OF THIS DRAWING PER	ASME Y14.5M-1994					
A	DSGN Dennis Lee 11/9/10 APPV Hoden Farah DATE 11-10-10	THIRD ANGLE PROJECTION	SIZE	D				
REV. LEVEL	RELEASED FOR PRODUCTION VAL'D.	MATERIAL:						
A	DSGN Dennis Lee 11/9/10 APPV Hoden Farah DATE 11-10-10	NAME	COMPRESSOR					
REV. LEVEL	RELEASED FOR PRODUCTION	DWG. NO.	4011U-6000				REV	A
A	DSGN Dennis Lee 11/9/10 APPV Hoden Farah DATE 11-10-10							

DO NOT SCALE