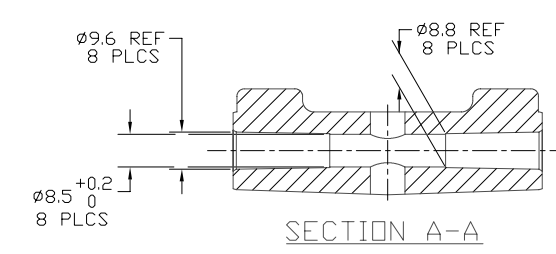
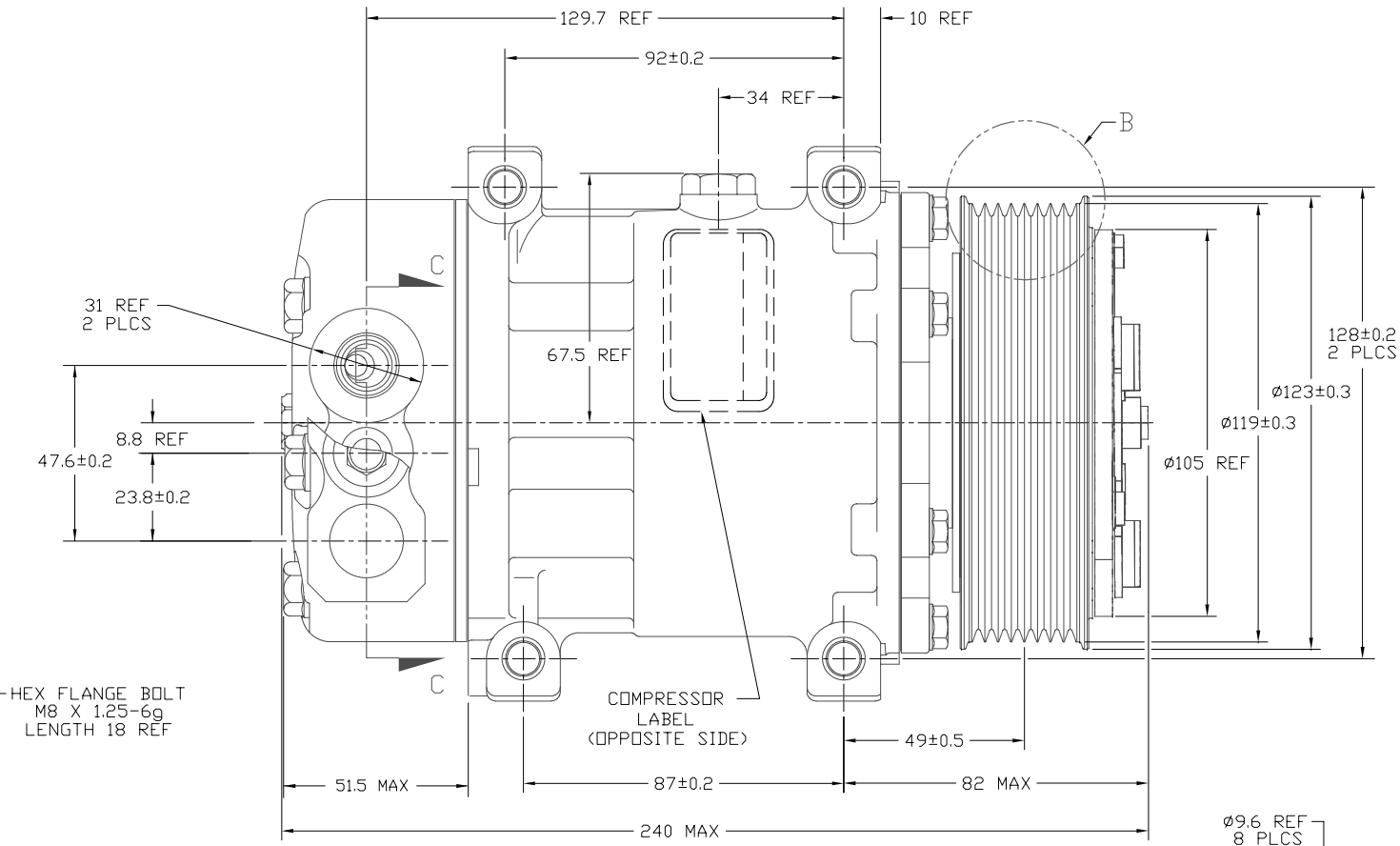
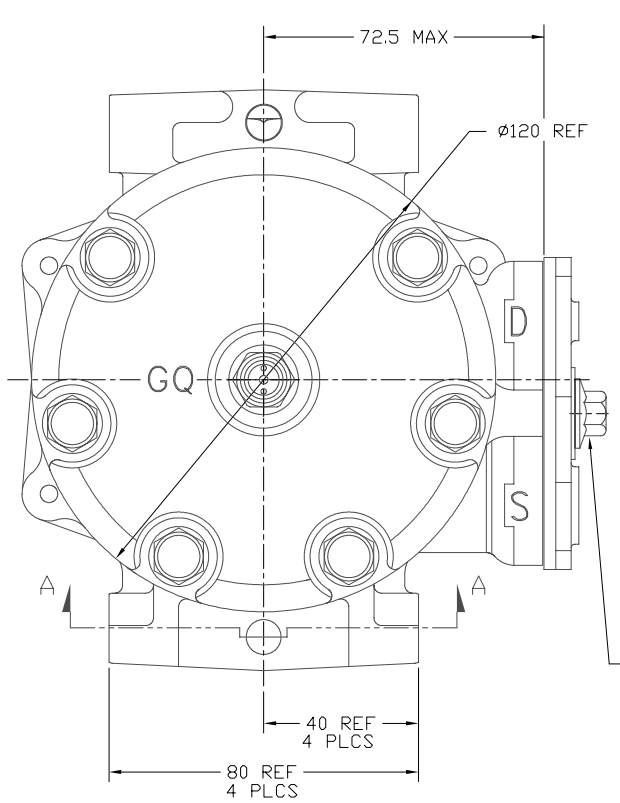
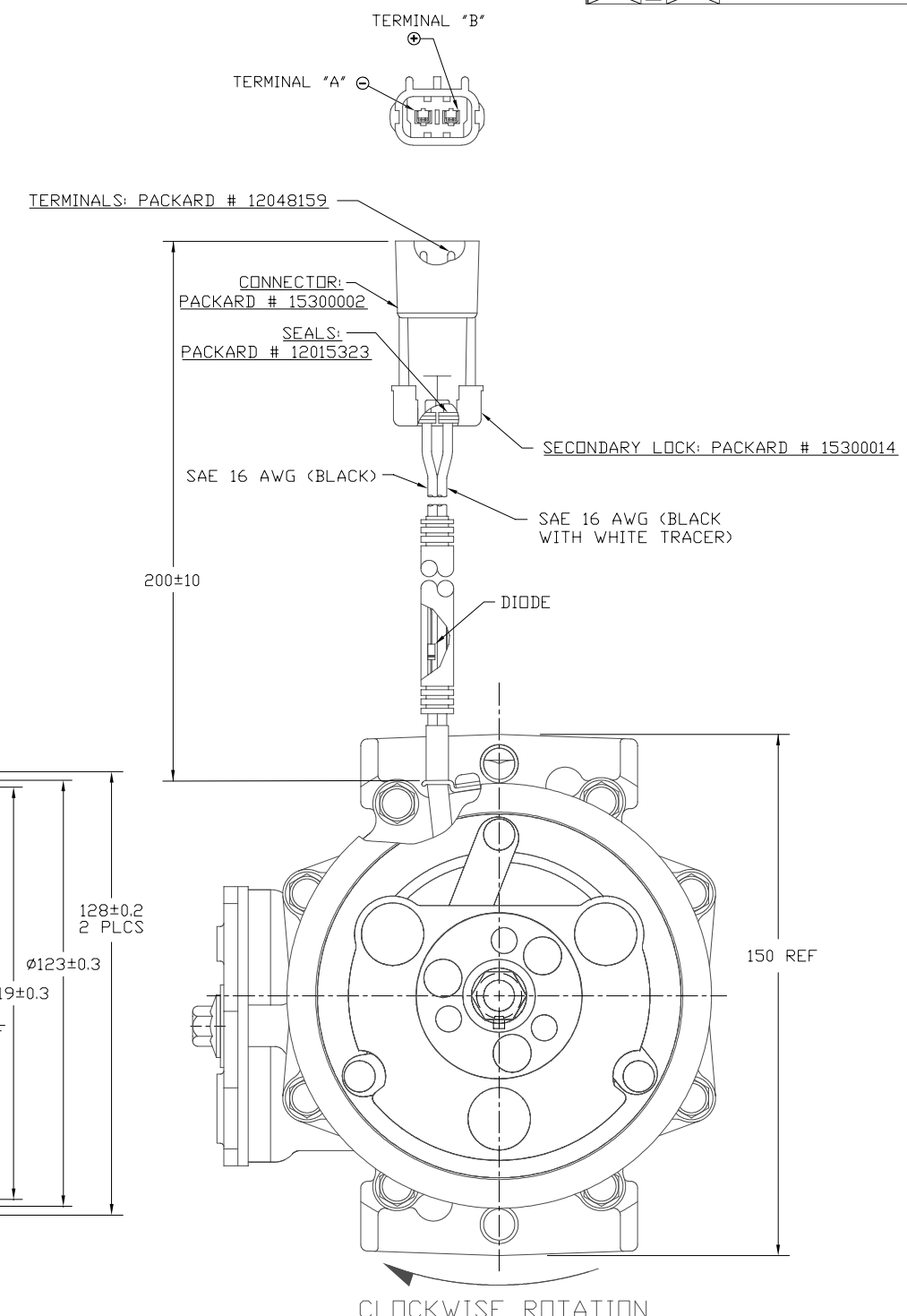


DETAIL B
SCALE 2:1

BLACK WITH WHITE TRACER
TO MAGNET COIL
TO TERMINAL 'B'

BLACK TO TERMINAL 'A'

DIODE POLARITY



COMPRESSOR SPECIFICATIONS

DISPLACEMENT PER REVOLUTION	154.9 cc / rev. (9.5cu.in. / rev.)
MAXIMUM ALLOWABLE R.P.M.	8000 R.P.M.
MAXIMUM ALLOWABLE CONTINUOUS R.P.M.	6000 R.P.M.
REFRIGERANT	R134a
OIL (SP-15)	300 cc (10.1 floz.)

CLUTCH SPECIFICATIONS

RATED VOLTAGE	DC 12V
BREAKAWAY TORQUE	3.5 kgf-m min. @ 12V
MINIMUM ENGAGEMENT VOLTAGE	7.5V @ AIR GAP 0.6mm REF
POWER CONSUMPTION	49 watts max.
BELT TYPE	PV8 TYPE
MAXIMUM ALLOWABLE BELT TENSION	120 Kgf
PULLEY DIAMETER	119mm (4.69 in.)
CLUTCH TYPE	HEAVY DUTY

NOTE:
1. DIMENSIONS ARE TO VIRTUAL SHARP CORNERS UNLESS OTHERWISE SPECIFIED.

DO NOT SCALE

REV. LEVEL	RELEASED FOR ENGG DEVELOPMENT	<p>SANDEN INTERNATIONAL (U.S.A.), INC.</p>
DSGN	M. Ballhagan	
CHK	M. Ballhagan	DRAWN SCALE REF 1:1 PLOTTED SCALE REF 1:1 METRIC
APPV.	Ed Arruda	This drawing and the information contained hereon are CONFIDENTIAL and PROPRIETARY to Sanden International (U.S.A.), Inc. and shall not be used, copied, or disclosed to others without the written permission of Sanden International (U.S.A.), Inc.
DATE	5/8/07	
REV. LEVEL	RELEASED FOR DESIGN VALIDATION	INTERPRETATION OF THIS DRAWING PER ASME Y14.5M-1994
DSGN	M. Ballhagan	THIRD ANGLE PROJECTION
APPV.	Ed Arruda	SIZE D
DATE	5/8/07	MATERIAL:
REV. LEVEL	RELEASED FOR PRODUCTION VAL'D.	NAME
DSGN	M. Ballhagan	COMPRESSOR
APPV.	Ed Arruda	DWG. NO. 4042-6000
DATE	5/8/07	REV. A