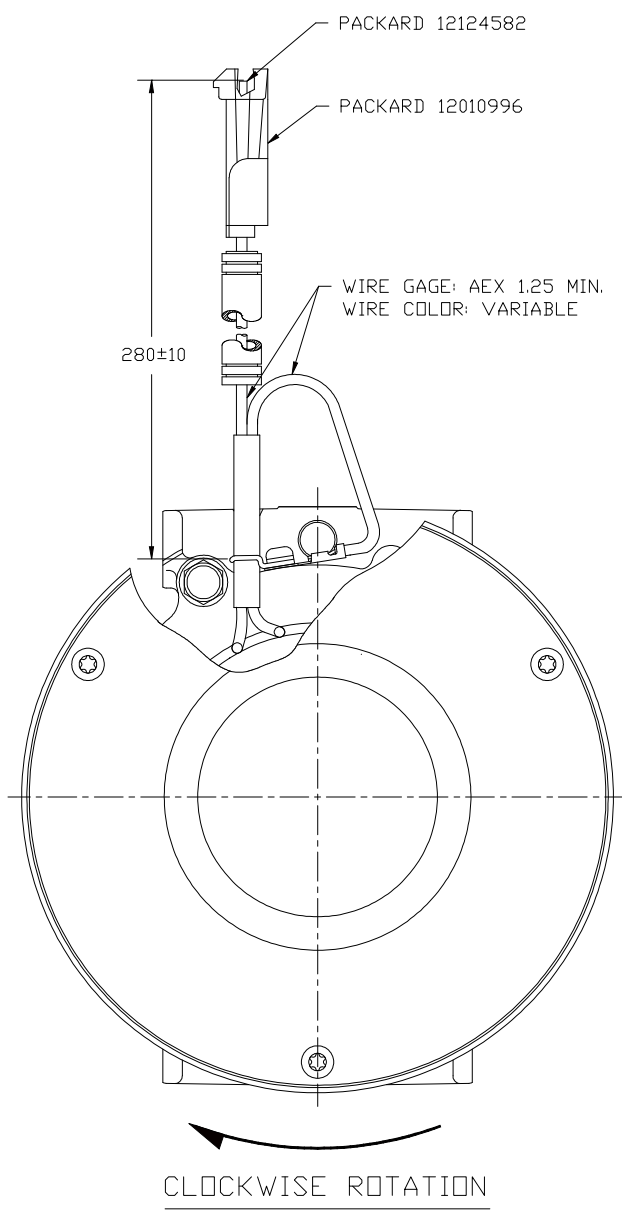
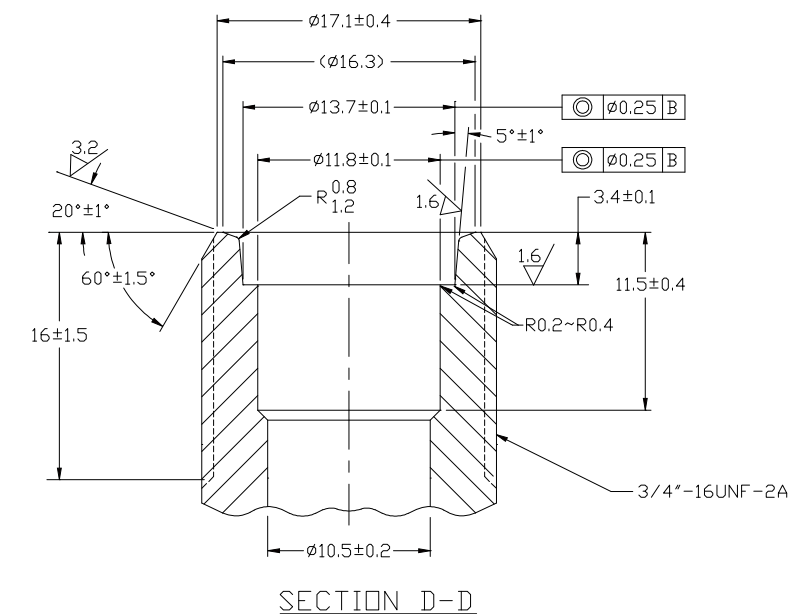
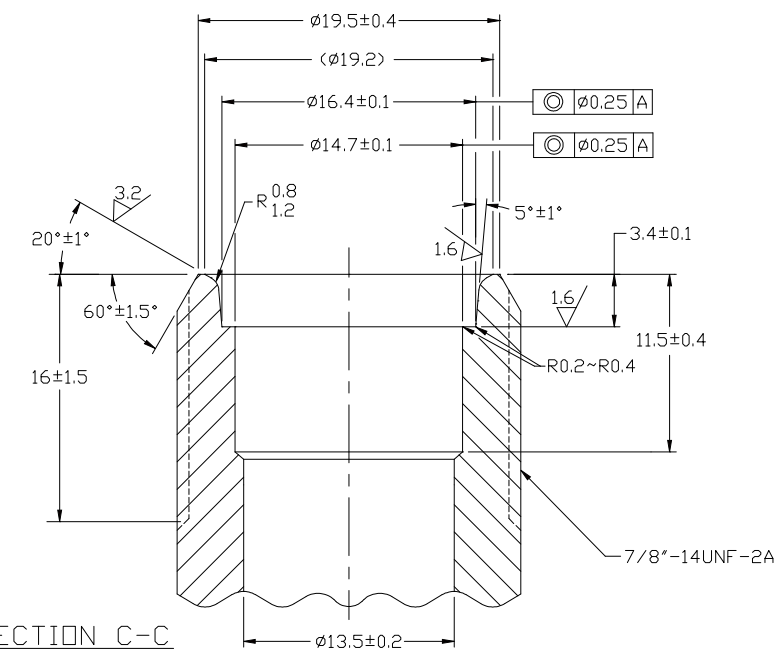
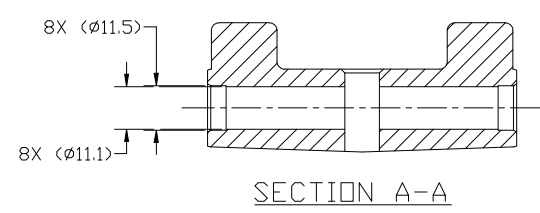
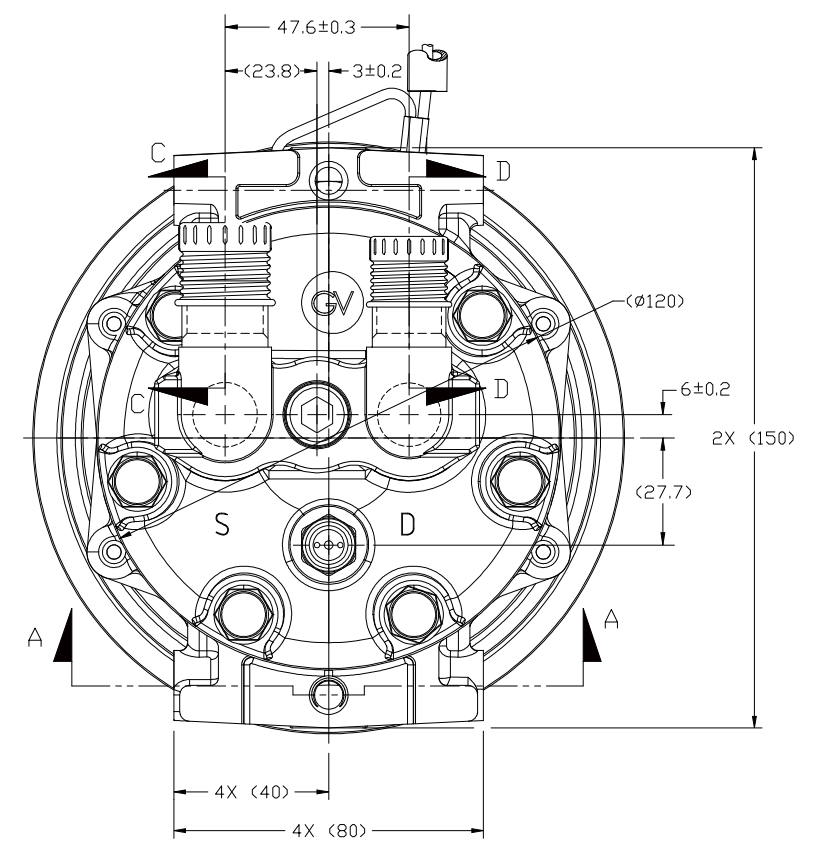
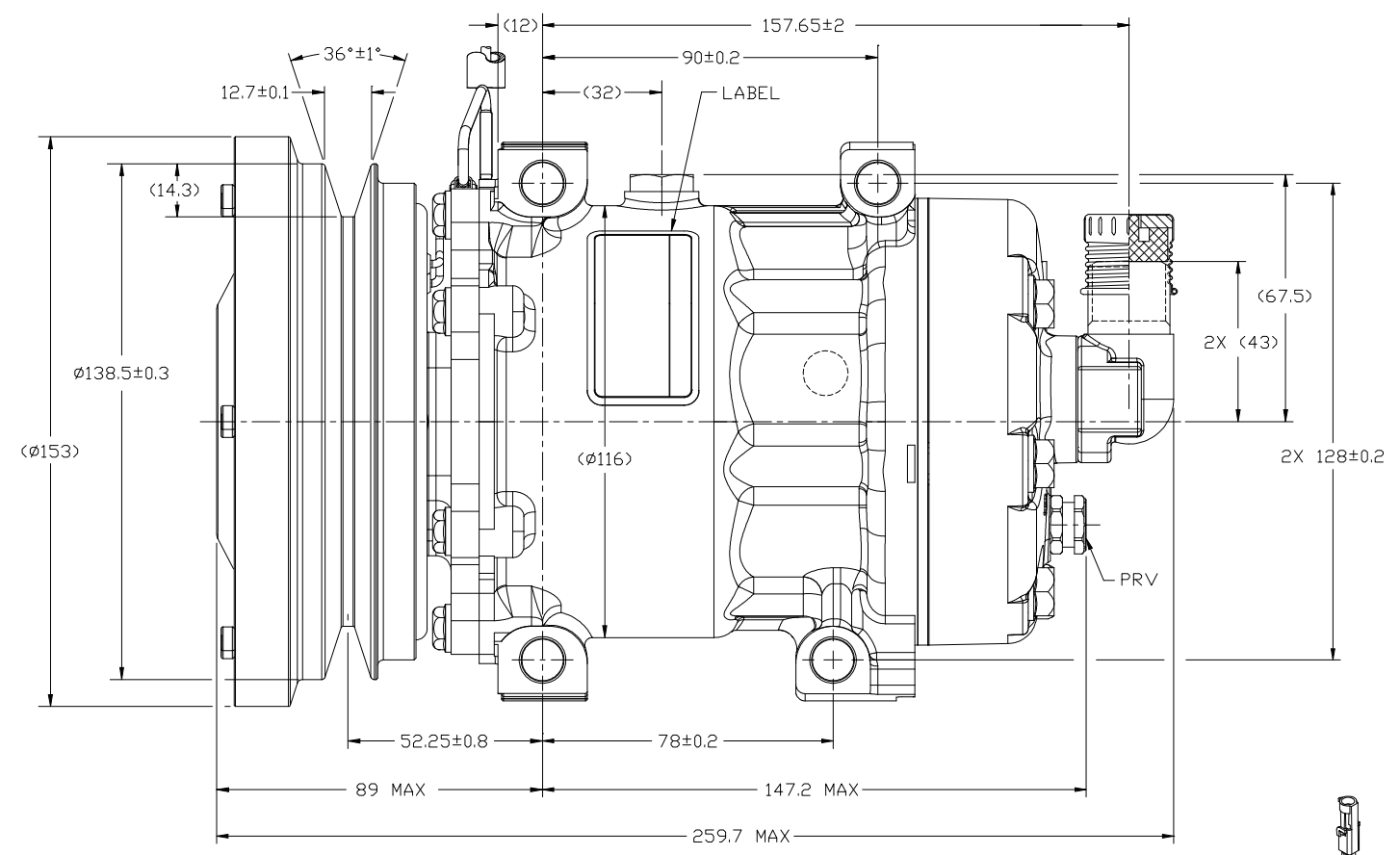


PDCN	REV.	APPV DATE	REVISIONS	DWN	DSGN	CHK	APPV
	1		INITIAL RELEASE				



SECTION C-C
SCALE 4:1
(VIEW SHOWN W/D SHIPPING CAP)

SECTION D-D
SCALE 4:1
(VIEW SHOWN W/D SHIPPING CAP)

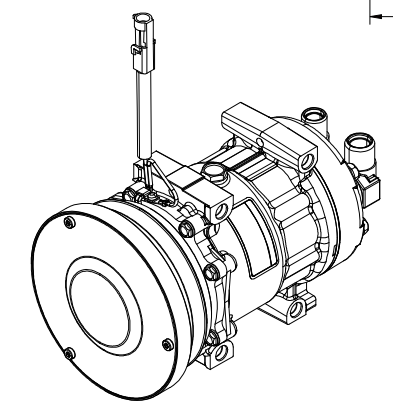


COMPRESSOR SPECIFICATIONS (REF.)

DISPLACEMENT PER REVOLUTION	154.9 cc / rev. (9.5cu.in. / rev.)
MAXIMUM ALLOWABLE SPEED	5000 R.P.M.
MAXIMUM ALLOWABLE CONTINUOUS SPEED	5000 R.P.M.
REFRIGERANT	R134a
OIL (SP-15)	300 cc (10.1 fl.oz.)

CLUTCH SPECIFICATIONS (REF.)

RATED VOLTAGE	DC 24V
BREAKAWAY TORQUE	3.5 kgf-m MIN. @ 24V
MINIMUM ENGAGEMENT VOLTAGE	16V MAX @ AIR GAP 0.4~0.8mm
POWER CONSUMPTION	40 watts MAX.
BELT TYPE	A TYPE
MAXIMUM ALLOWABLE BELT TENSION	60 kgf
PULLEY DIAMETER	ø138.5mm (5.45 in.)
CLUTCH TYPE	SEALED HEAVY DUTY



DO NOT SCALE

REV. LEVEL	RELEASED FOR ENGG DEVELOPMENT	<p>SANDEN INTERNATIONAL (U.S.A.), INC.</p>
DSGN	Dennis Lee 4/5/12	
DWN	Dennis Lee 4/5/12	<p>SCALE REF 1:1 PLOTTED SCALE REF 1:1 METRIC</p> <p>This drawing and the information contained hereon are CONFIDENTIAL and PROPRIETARY to Sanden International (U.S.A.), Inc. and shall not be used, copied, or disclosed to others without the written permission of Sanden International (U.S.A.), Inc.</p>
CHK	J. Sokolowski	
APPV	Rene Martinez	<p>INTERPRETATION OF THIS DRAWING PER ASME Y14.5M-1994</p>
DATE	4/5/12	
REV. LEVEL	RELEASED FOR DESIGN VALIDATION	<p>THIRD ANGLE PROJECTION</p>
DSGN	Dennis Lee 4/5/12	
APPV	Rene Martinez	<p>SIZE D</p>
DATE	4/5/12	
REV. LEVEL	RELEASED FOR PRODUCTION VAL'D.	<p>MATERIAL:</p>
DSGN	Dennis Lee 4/5/12	
APPV	Rene Martinez	<p>NAME</p> <p>COMPRESSOR, SD7H15 ENHANCED CAPACITY</p>
DATE	4/5/12	
REV. LEVEL	RELEASED FOR PRODUCTION	<p>DWG. NO.</p> <p>4127-6000</p>
DSGN	Dennis Lee 4/5/12	
APPV	Rene Martinez	<p>REV.</p> <p>A</p>
DATE	4/5/12	