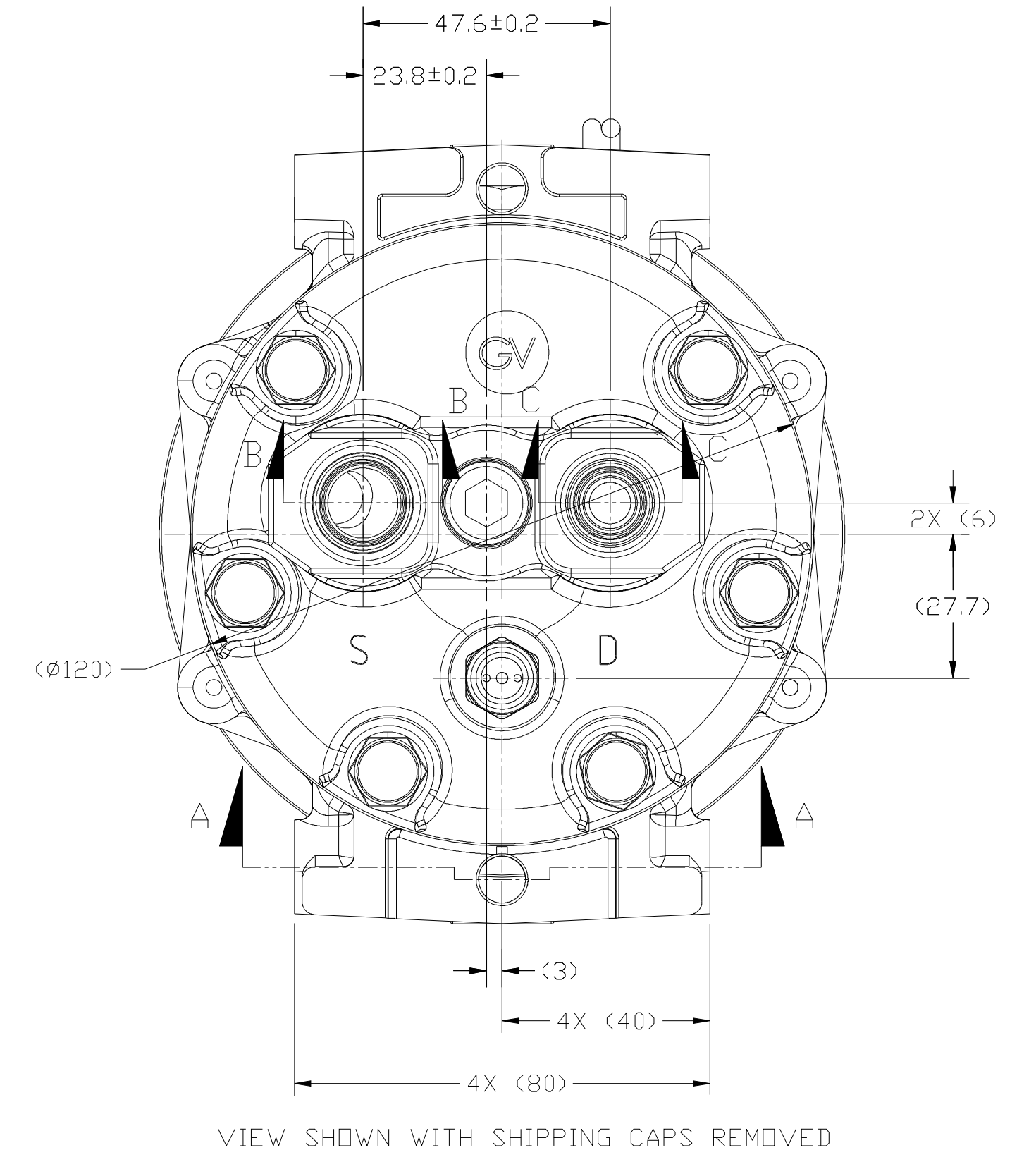
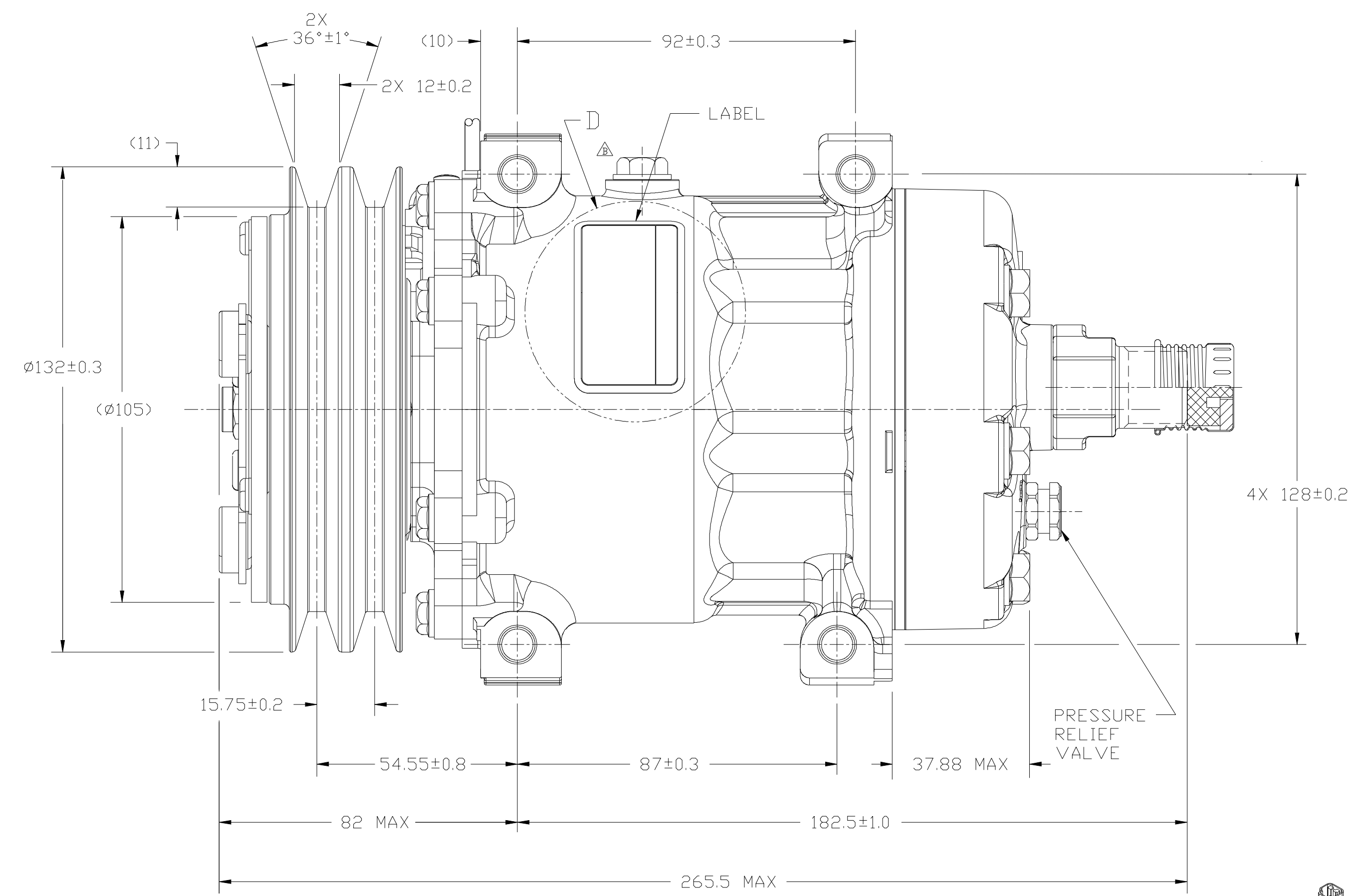
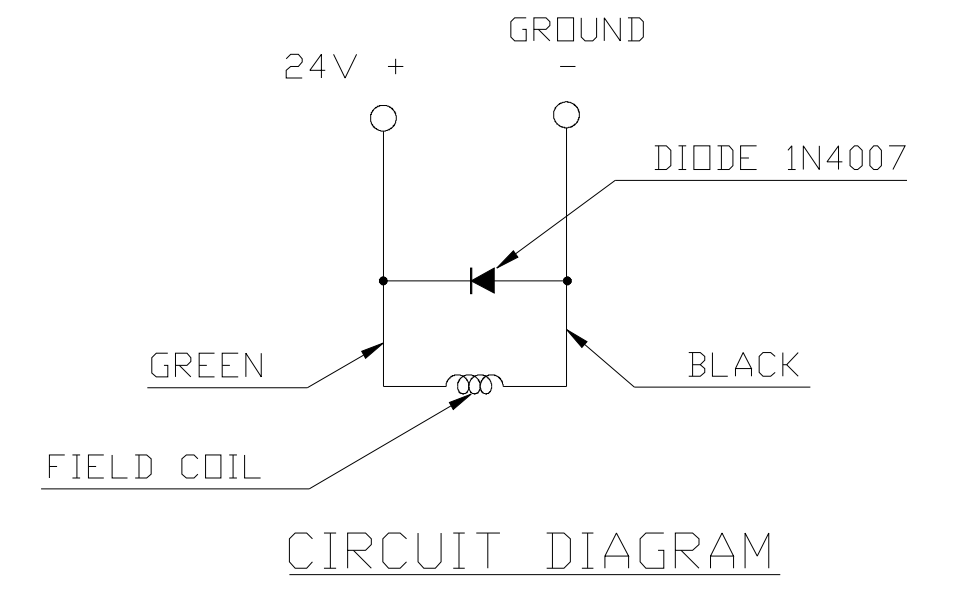
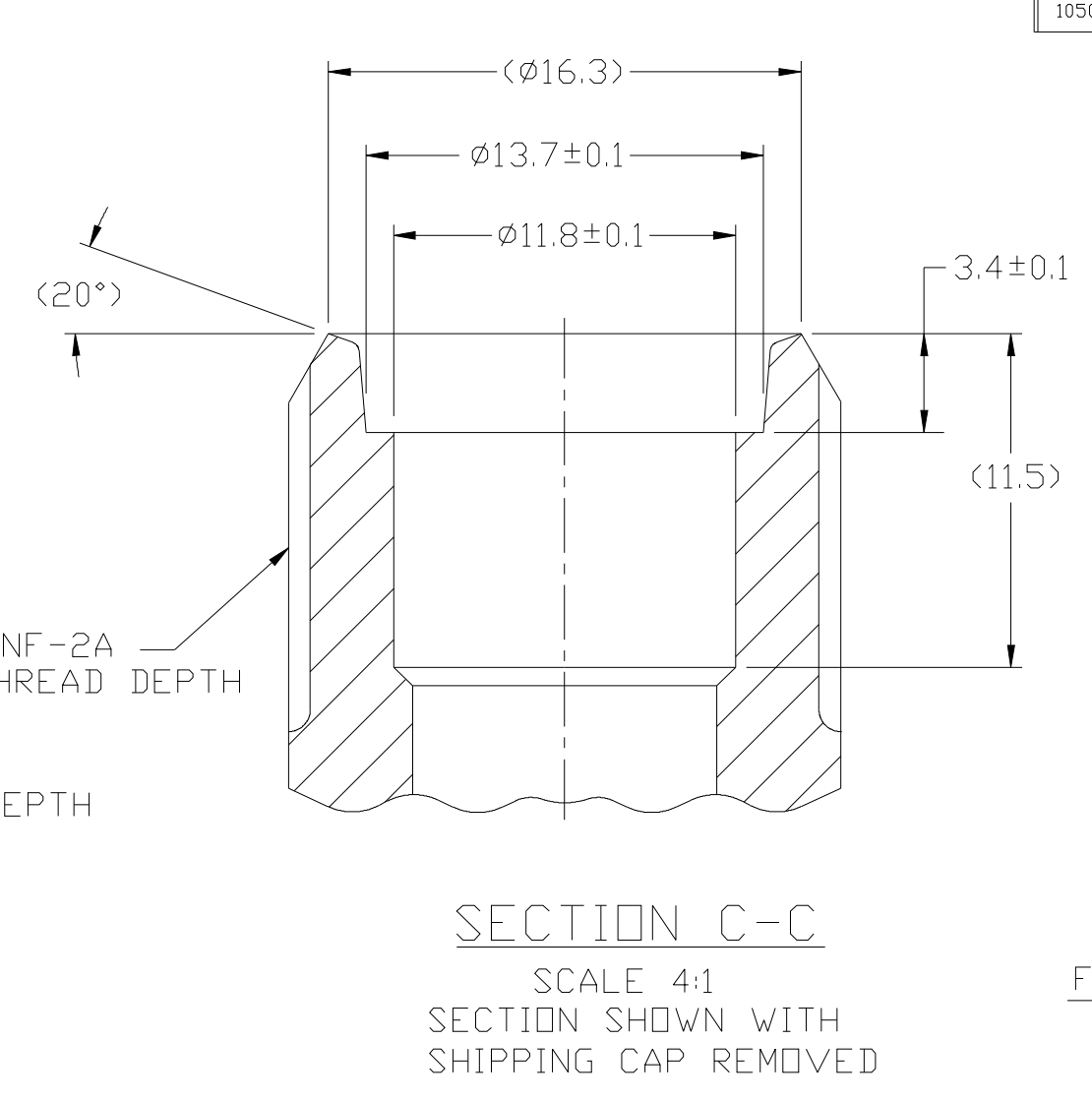
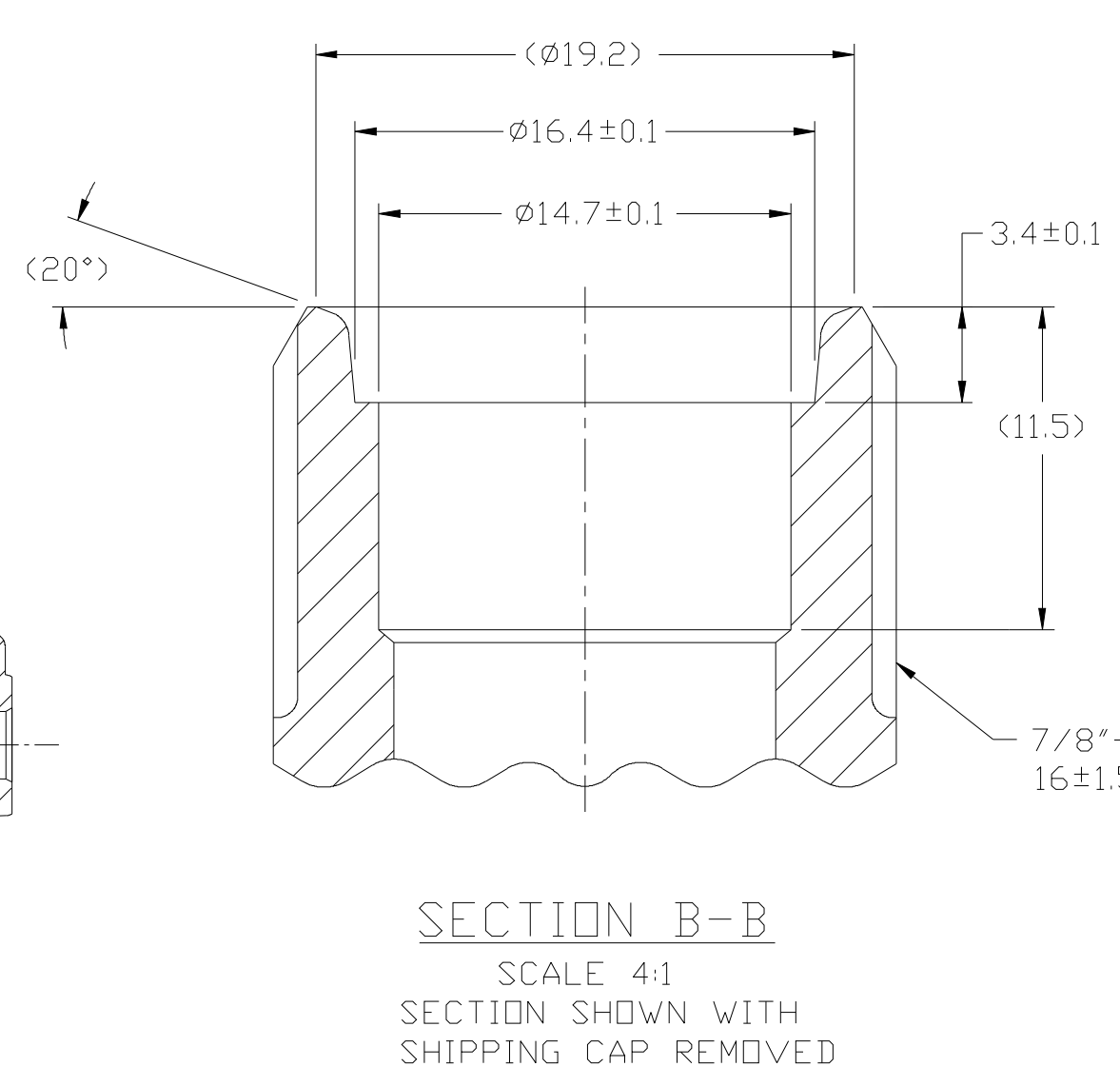
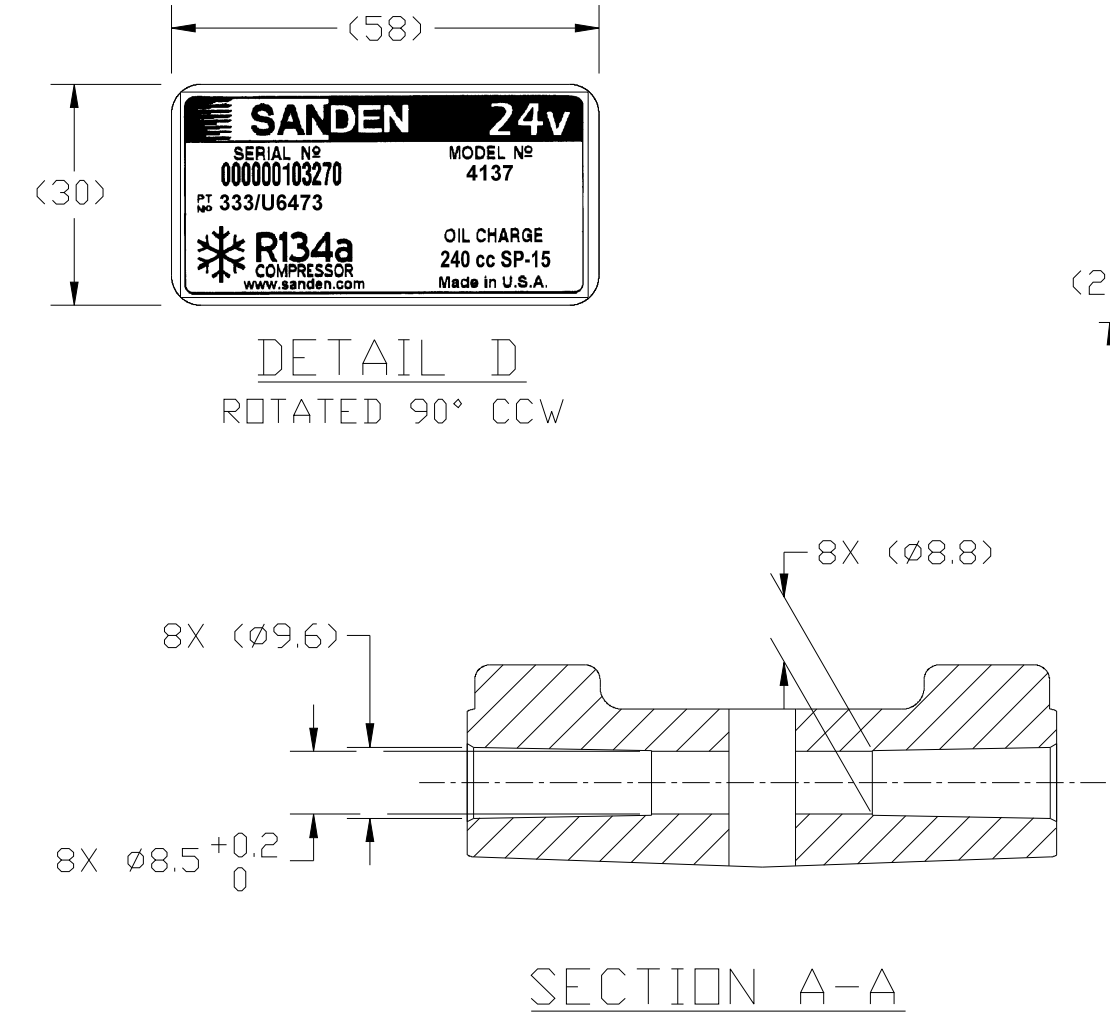
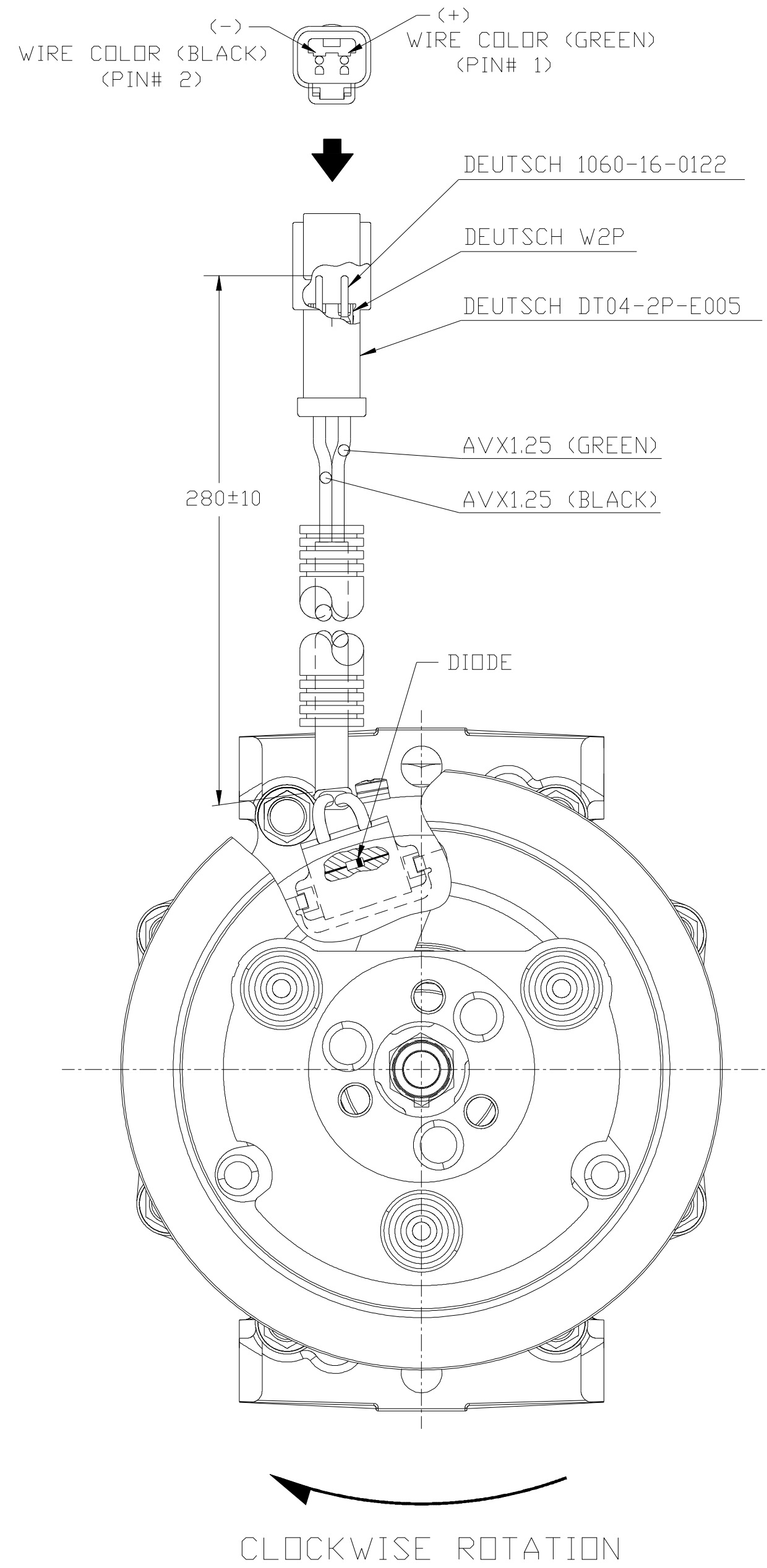


PDCN	REV	APPV	DATE	REVISIONS	DWN	DSGN	CHK	APPV
10509	A	Rene Martinez	05/18/14	INITIAL ISSUE	CF	JD	JD	RM
				CHANGED OIL PLUG SHAPE				
				REMOVED OIL PLUG DIMENSIONS				

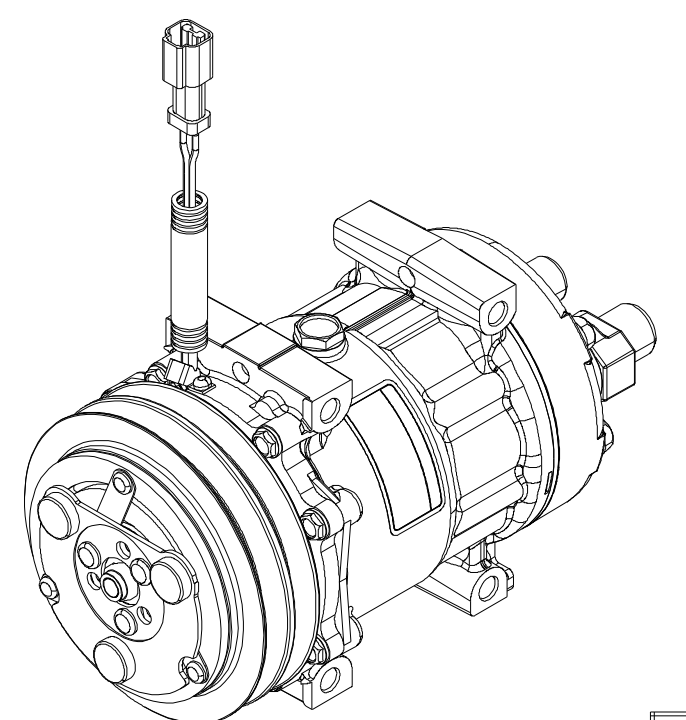


COMPRESSOR SPECIFICATIONS (REF)

DISPLACEMENT PER REVOLUTION	154.9 cc / rev. ( 9.5cu.in. / rev. )
MAXIMUM ALLOWABLE R.P.M.	8000 R.P.M.
MAXIMUM ALLOWABLE CONTINUOUS R.P.M.	6000 R.P.M.
REFRIGERANT	R134a
OIL ( SP-15 )	240 cc ( 9.45 fl.oz. )
WEIGHT	TBD

CLUTCH SPECIFICATIONS (REF)

RATED VOLTAGE	DC 24V
BREAKAWAY TORQUE	3.5 kgf-m min. @ 24V
MINIMUM ENGAGEMENT VOLTAGE	16V @ AIR GAP 0.6mm
POWER CONSUMPTION	42 watts max.
BELT TYPE	A TYPE
MAXIMUM ALLOWABLE BELT TENSION	60 kgf per belt
PULLEY DIAMETER	Ø132 mm ( 5.2 in. )
CLUTCH TYPE	HEAVY DUTY



DO NOT SCALE

REV. LEVEL	RELEASED FOR ENGG. DEVELOPMENT	<b>SANDEN</b> SANDEN INTERNATIONAL ( U.S.A. ), INC.	DRAWN SCALE REF 1:1	PLOTTED SCALE REF NONE	METRIC
DSGN	Dennis Lee 6/1/12				
BWN	Dennis Lee 6/1/12	<p>This drawing and the information contained hereon are CONFIDENTIAL and PROPRIETARY to Sanden International (U.S.A.), Inc., are received in CONFIDENCE and shall not be used, copied, or disclosed to others without the written permission of Sanden International (U.S.A.), Inc.</p> <p>INTERPRETATION OF THIS DRAWING PER ASME Y14.5M-1994</p>	THIRD ANGLE PROJECTION	SIZE D	
CHK	J. Sokolowski				
APPV.	Rene Martinez				
DATE	6/18/12				
REV. LEVEL	RELEASED FOR DESIGN VALIDATION	MATERIAL: -	NAME: COMPRESSOR	DWG. NO. 4137-6000	REV. B
DSGN	Dennis Lee 6/6/12				
APPV.	Rene Martinez				
DATE	6/18/12				
REV. LEVEL	RELEASED FOR PRODUCTION VAL'D.	-	-	-	-
DSGN	Dennis Lee 6/6/12				
APPV.	Rene Martinez				
DATE	6/18/12				
REV. LEVEL	RELEASED FOR PRODUCTION	-	-	-	-
DSGN	J. Olson				
APPV.	Rene Martinez				
DATE	6/20/2014				