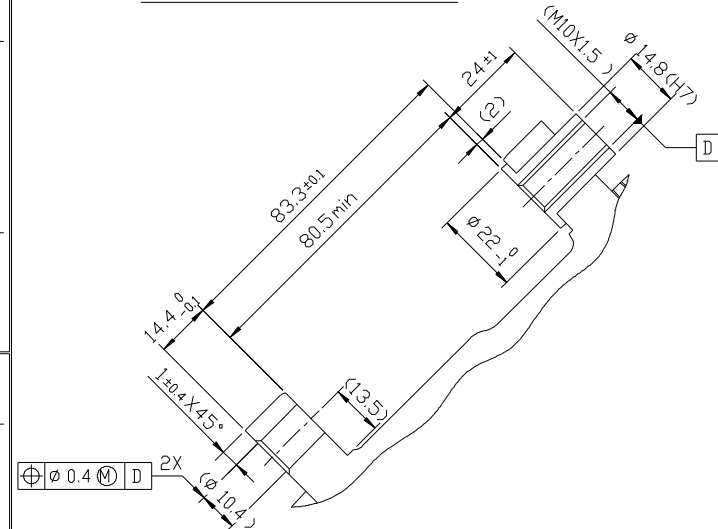
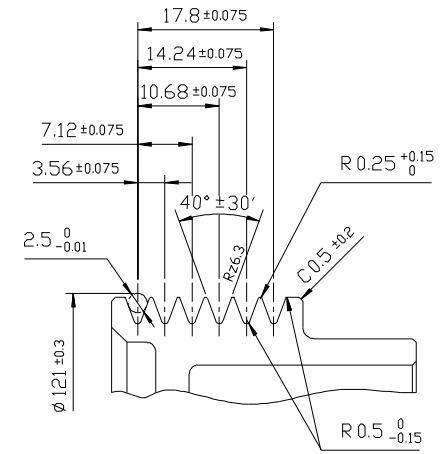


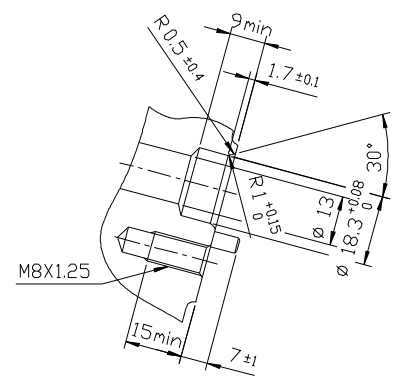
PARTIAL SECT. A-A



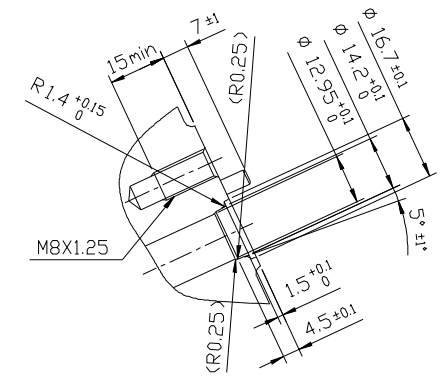
DETAIL OF GROOVE (2:1)



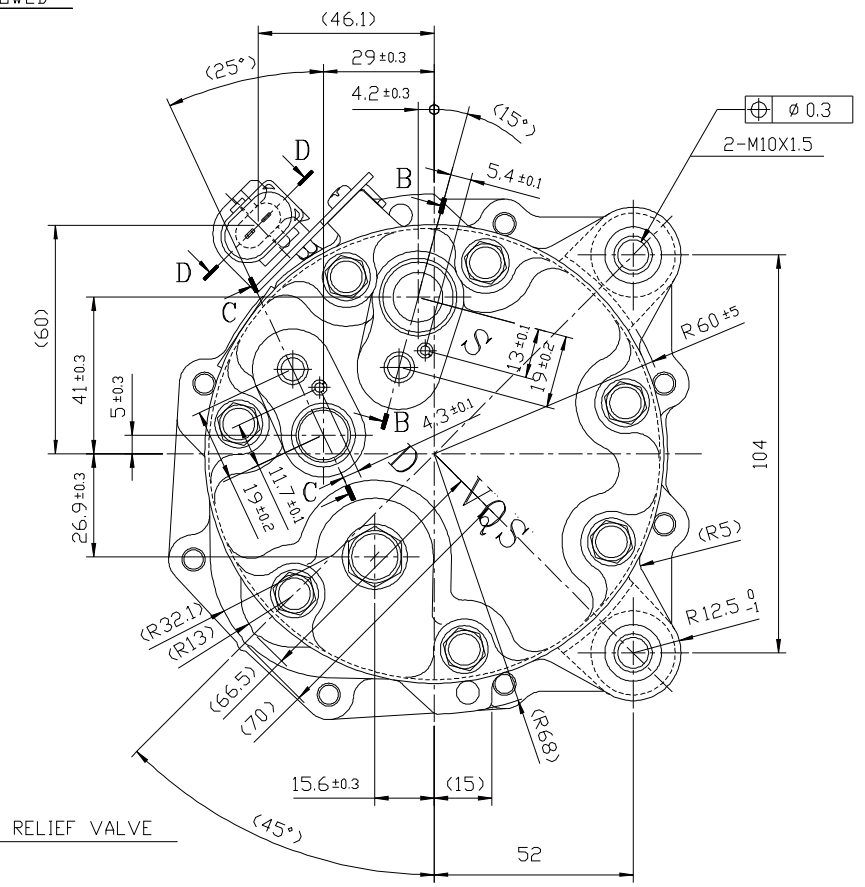
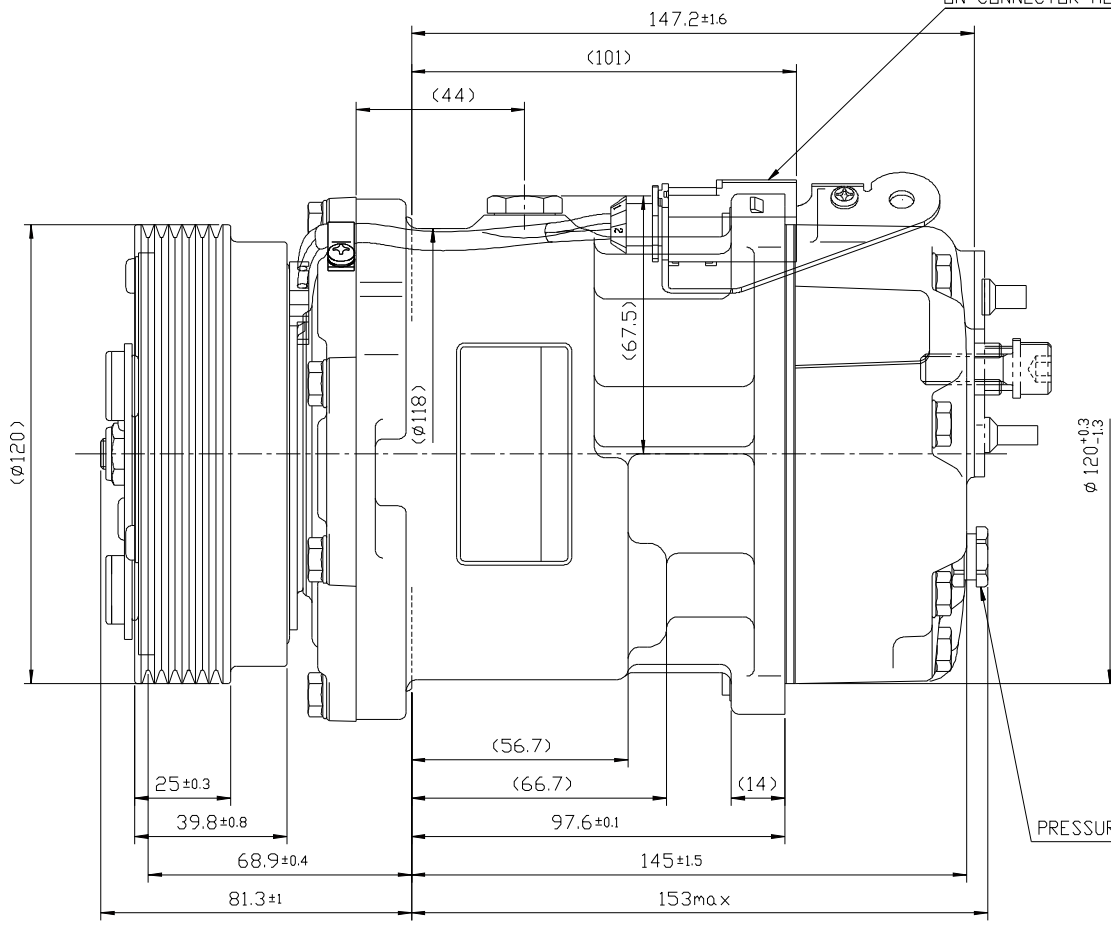
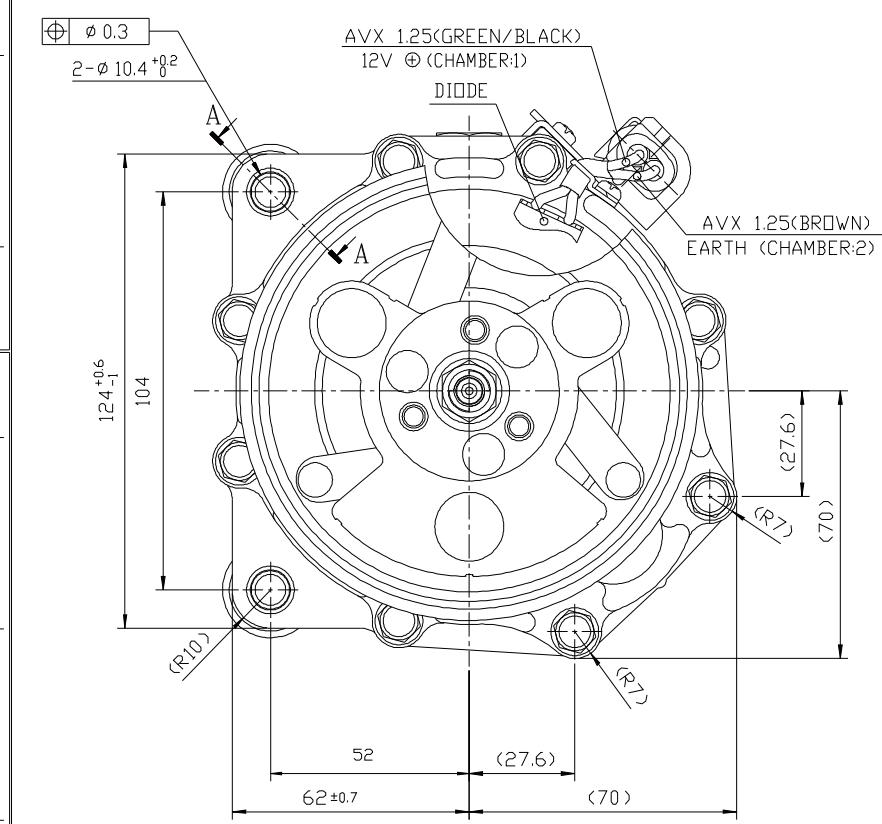
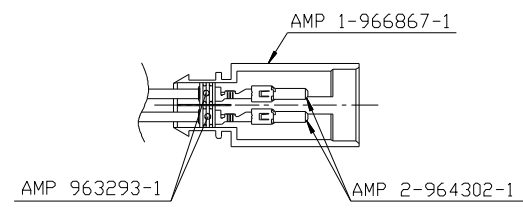
PARTIAL SECT. B-B



PARTIAL SECT. C-C



PARTIAL SECT. D-D



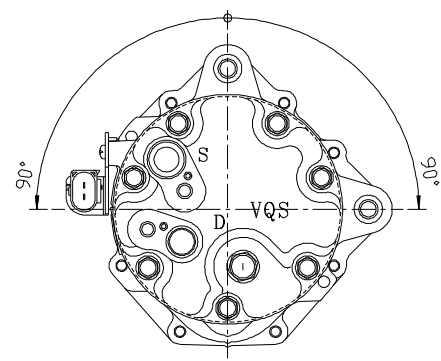
COMPRESSOR SPECIFICATIONS

BORE	∅ 29.3 mm
MAXIMUM STROKE	34.2 mm
MINIMUM STROKE	1.7 mm
NUMBER OF CYLINDER	7
MAXIMUM DISPLACEMENT PER REVOLUTION	161.3 cm <sup>3</sup> /rev.
MINIMUM DISPLACEMENT PER REVOLUTION	8.1 cm <sup>3</sup> /rev.
MAXIMUM ALLOWABLE CONTINUOUS SPEED	8000 r.p.m.
MAXIMUM DOWNSHIFT SPEED	8500 r.p.m.
REFRIGERANT	R-134a
OIL	SP-10 OR EQUIVALENT
OIL CHARGE	135 cm <sup>3</sup>
ROTATION (CLUTCH SIDE VIEW)	CLOCKWISE COUNTER CLOCKWISE
WEIGHT	4.2 kg

CLUTCH SPECIFICATIONS

RATED VOLTAGE	DC 12 V
MINIMUM BREAKAWAY TORQUE	42.1 Nm
MINIMUM ENGAGEMENT VOLTAGE	DC 7.5 V
MAXIMUM POWER CONSUMPTION	43 W
MAXIMUM ALLOWABLE CONTINUOUS SPEED	8000 r.p.m.
MAXIMUM DOWNSHIFT SPEED	8500 r.p.m.
BELT TYPE	PV6
PULLEY DIAMETER	∅ 120 mm
WEIGHT	2.3 kg
THERMAL FUSE CUT OFF TEMPERATURE	182 ±5 °C

COMPRESSOR MOUNTING ANGLE (1:2)



PCBN	REV	APPV	DATE	REVISIONS	DWN	DSGN	CHK	APPV
				INITIAL ISSUE				

REV LEVEL	RELEASED FOR ENG DEVELOPMENT	<p><b>METRIC</b> DIMENSIONS SHOWN IN MILLIMETERS UNLESS OTHERWISE SPECIFIED.</p> <p>THE INFORMATION CONTAINED IN THIS DRAWING IS THE SOLE PROPERTY OF SANDEN INTERNATIONAL. ANY REPRODUCTION IN PART OR AS A WHOLE WITHOUT THE WRITTEN PERMISSION OF SANDEN INTERNATIONAL INC IS PROHIBITED.</p>	<p>INTERPRETATION OF THIS DRAWING PER ASME Y14.5M-1994</p> <p>THIRD ANGLE PROJECTION</p>	<p>SIZE D</p>
A	DESIGN VALIDATION			
A	RELEASED FOR PROD VALIDATION			
A	RELEASED FOR PRODUCTION			
MATERIAL		<p>COMPRESSOR</p>	<p>REV A</p>	
NAME				
DWG NO				
<p>COMPRESSOR</p>		<p>4258-6000</p>	<p>REV A</p>	