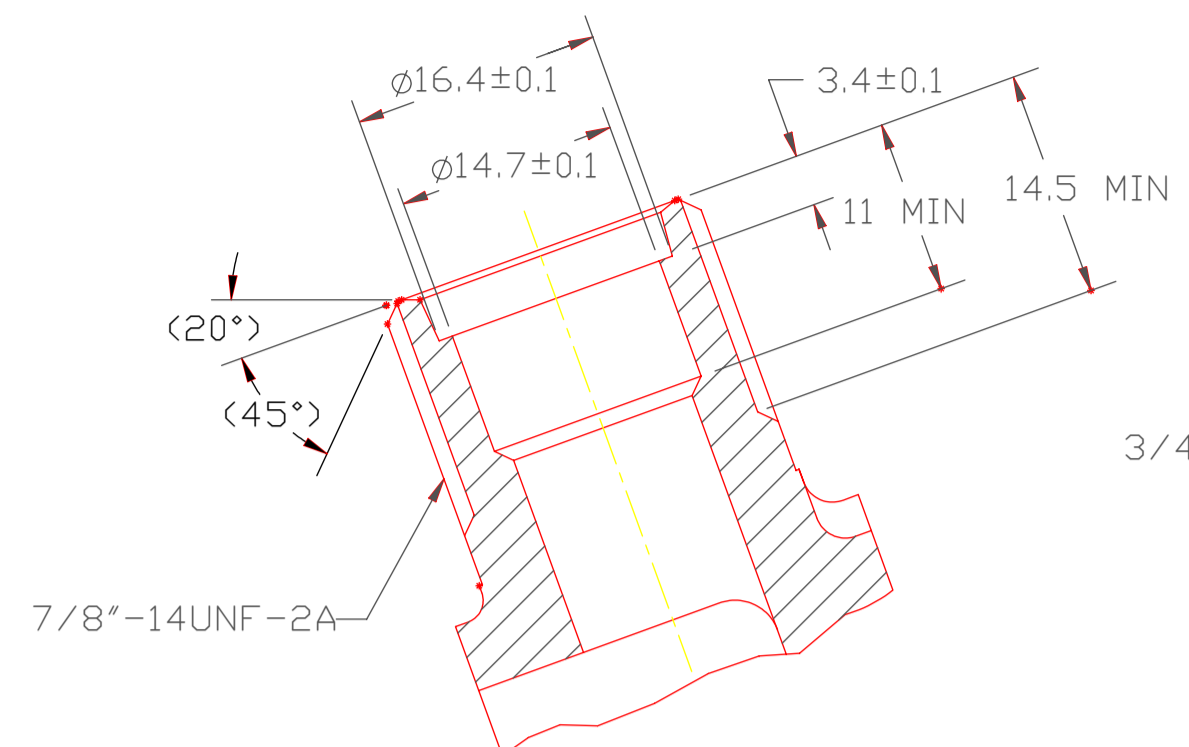
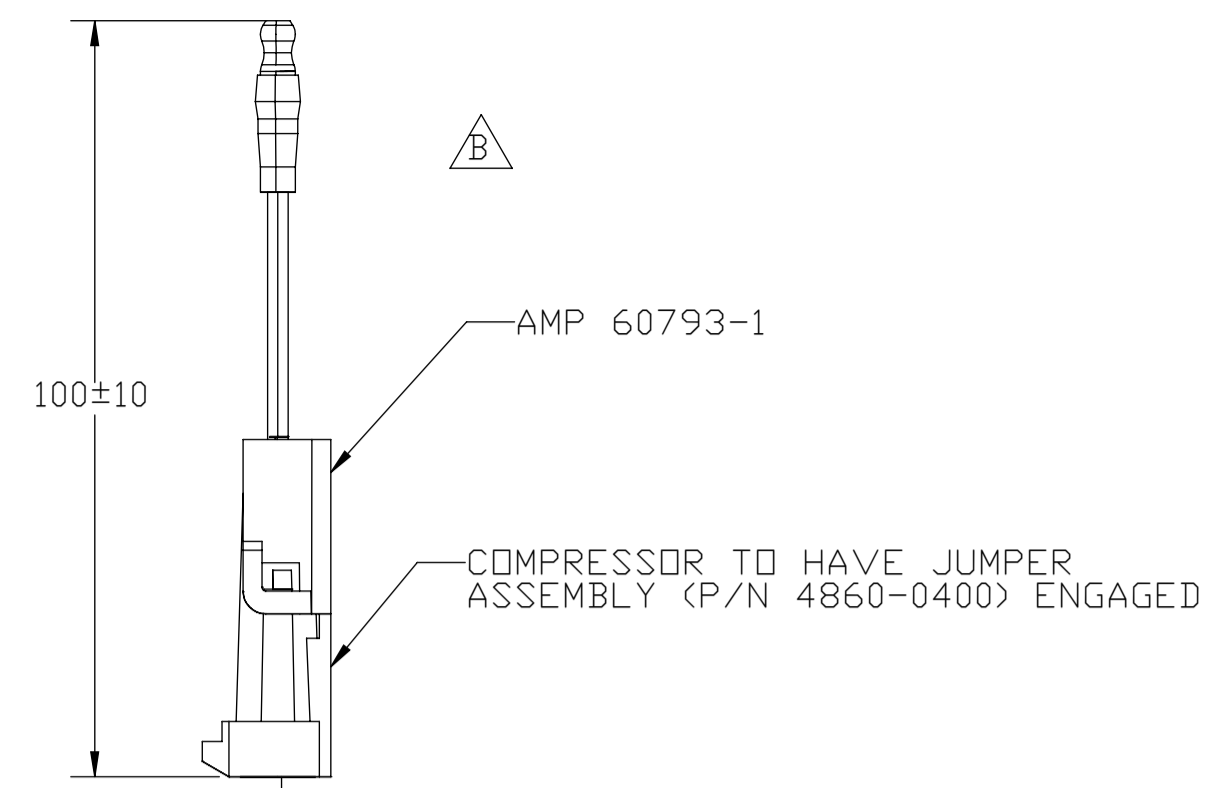
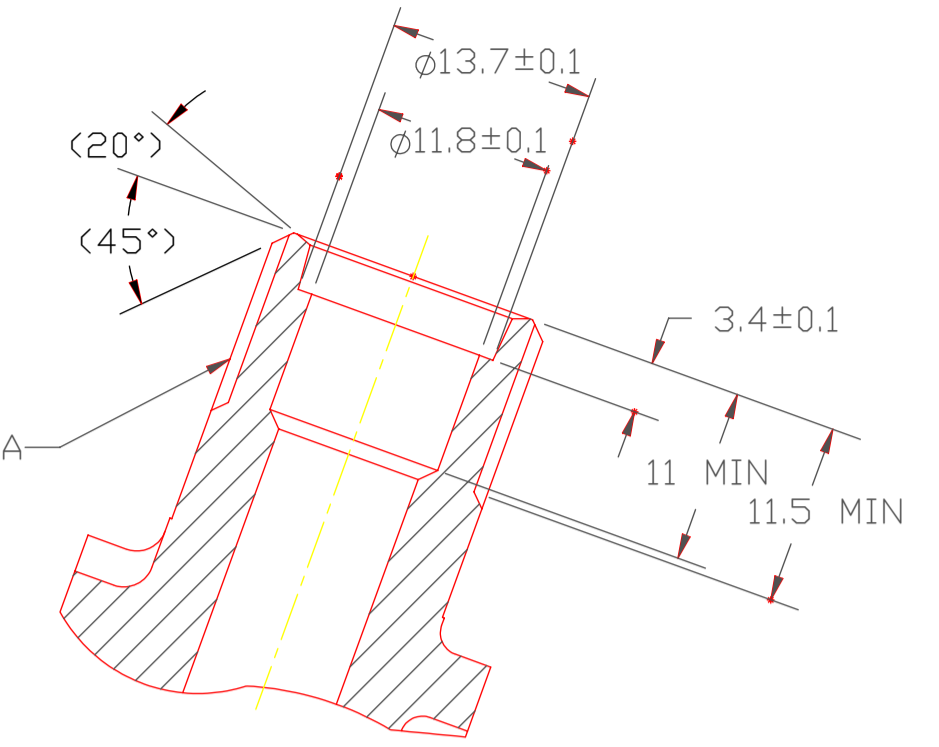


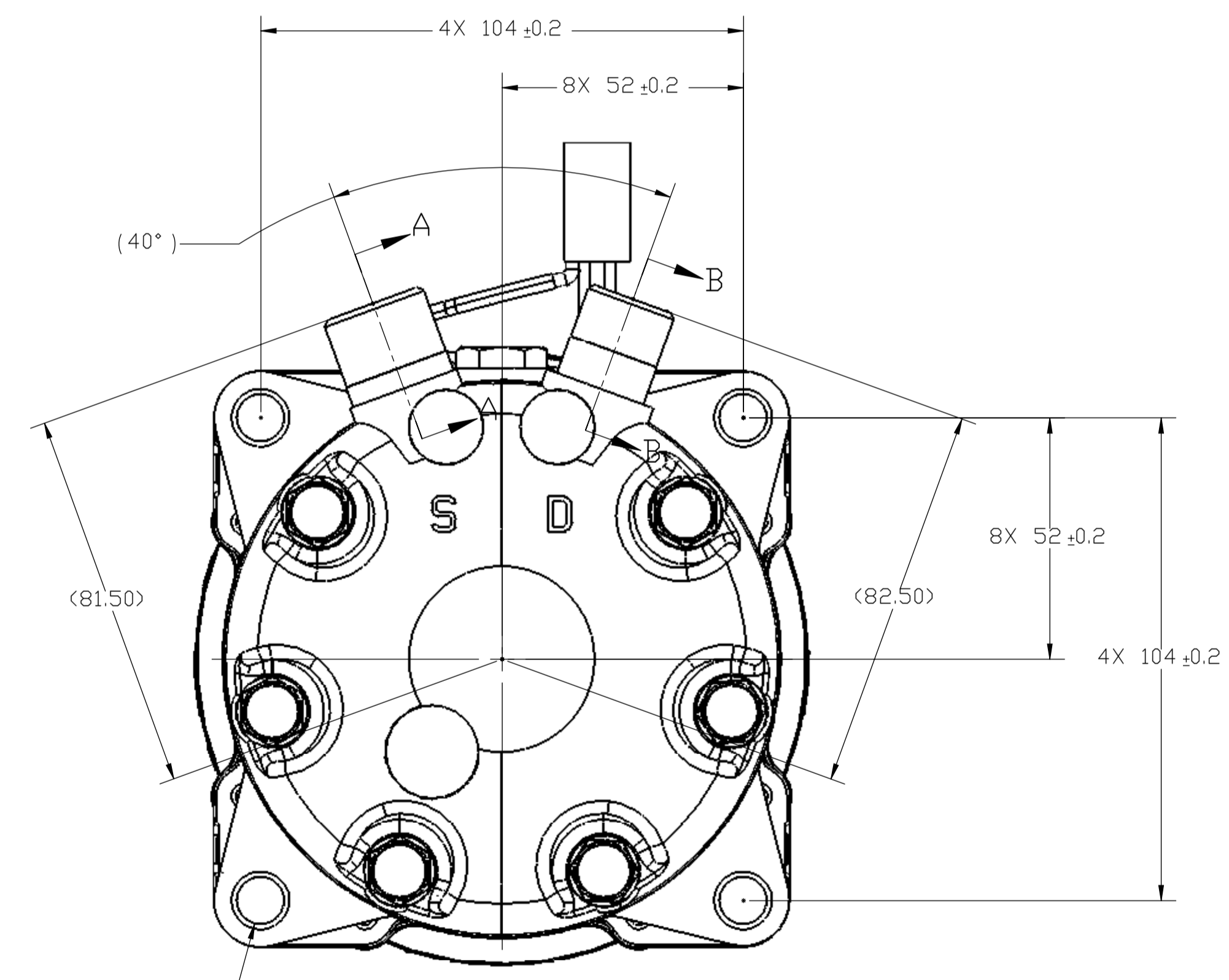
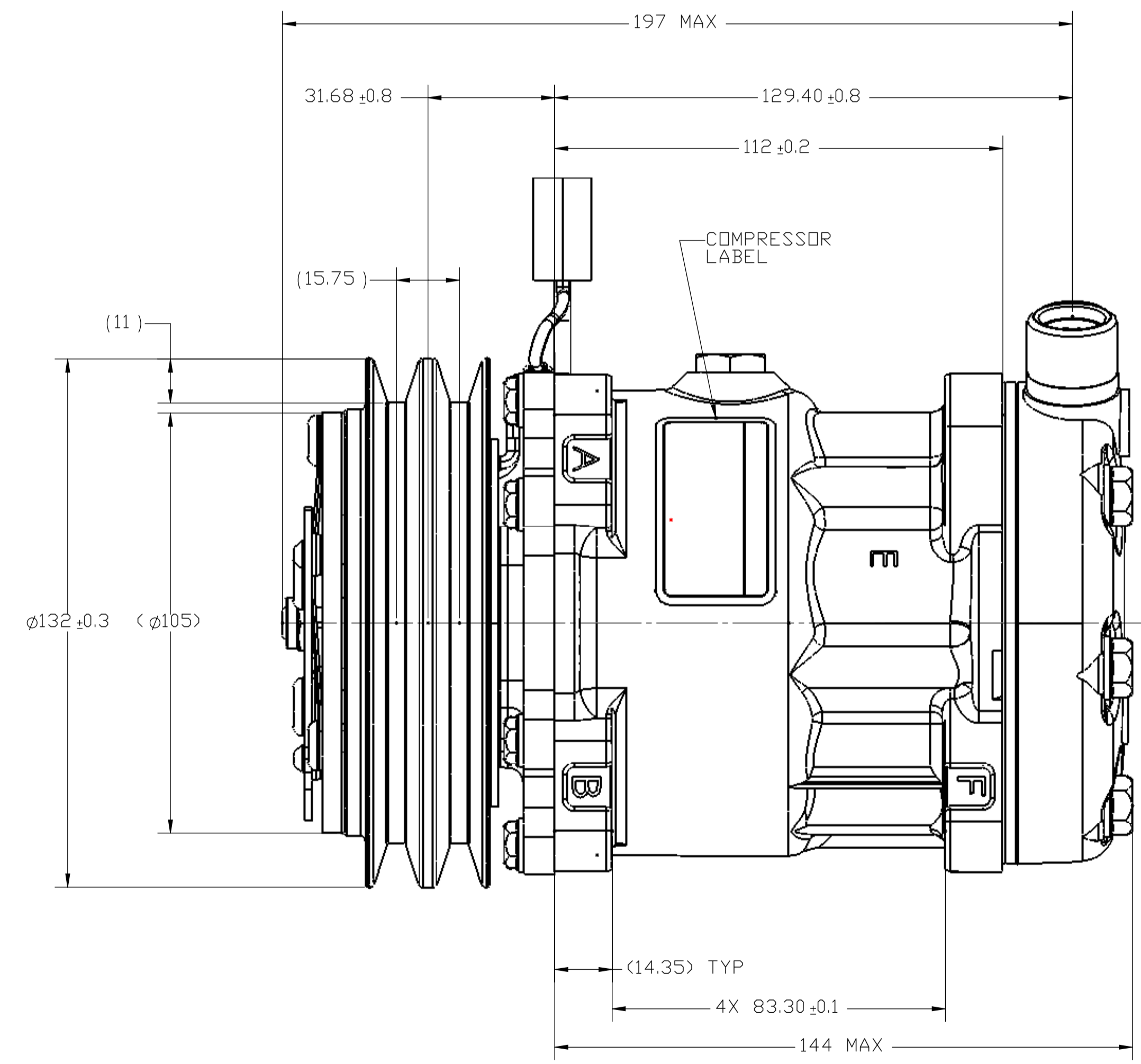
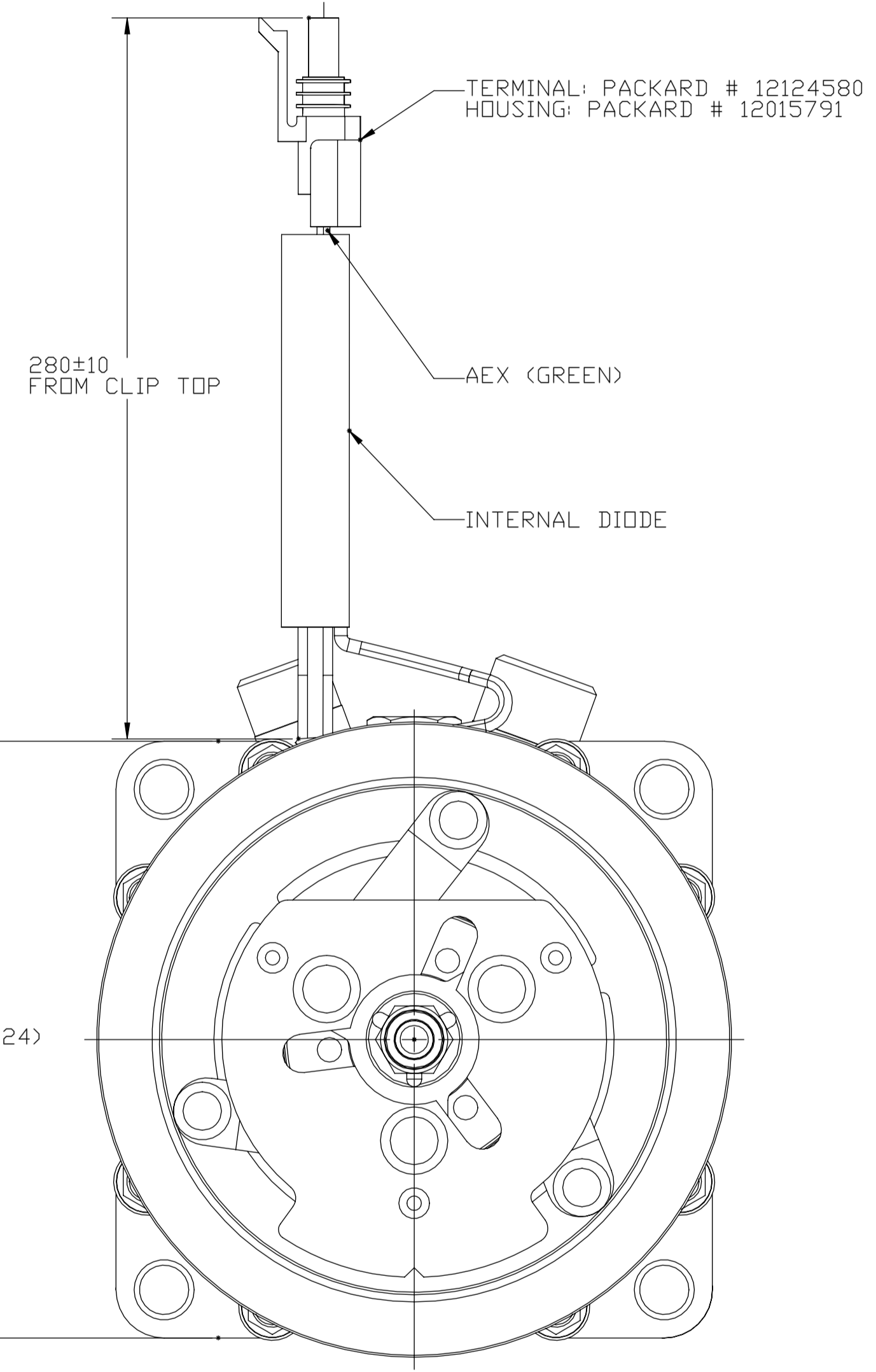
PDCN	REV.	DATE	REVISIONS	DWN	CHK	APPV
	△		INITIAL RELEASE			
8228	△	12/2/2008	ADDED JUMPER ASSEMBLY (P/N 4860-0400)	AA	SN	RM



**SECTION A-A**  
SCALE: 2:1



**SECTION B-B**  
SCALE: 2:1



**CLOCKWISE ROTATION**

**COMPRESSOR SPECIFICATIONS (REF)**

DISPLACEMENT PER REVOLUTION	154.9 cc
MAXIMUM ALLOWABLE RPM	8000 RPM
MAXIMUM ALLOWABLE CONTINUOUS RPM	6000 RPM
REFRIGERANT	R134a
OIL ( SP-15)	200±10 cc
COMPRESSOR WEIGHT	8 kg

**CLUTCH SPECIFICATIONS (REF)**

RATED VOLTAGE	DC 24V
BREAKAWAY TORQUE	3.5 kgf-m min. @ 24V
MINIMUM ENGAGEMENT VOLTAGE	16V @ AIR GAP 0.6mm
MAXIMUM POWER CONSUMPTION	34W
BELT TYPE	A2
MAXIMUM ALLOWABLE BELT TENSION	60 kgf per Belt
PULLEY DIAMETER	φ132mm
CLUTCH TYPE	HEAVY DUTY

REV. LEVEL	RELEASED FOR: ENGG DEVELOPMENT	<p><b>SANDEN</b> SANDEN INTERNATIONAL (U.S.A.), Inc.</p>	<p>This drawing and the information contained herein are CONFIDENTIAL and PROPRIETARY to Sanden International (U.S.A.), Inc., and are received in CONFIDENCE and shall not be used, copied, or disclosed to others without the written permission of Sanden International (U.S.A.), Inc.</p>
DSGN	A. ARMENDARIZ		
DWN	A. ARMENDARIZ	DRAWN	T. GORSKI
CHK	T. GORSKI	SCALE REF	1:1
APPV.	R. MARTINEZ	PLOTTED	SCALE REF 1:1
DATE	10/31/08	SIZE	D
REV. LEVEL	RELEASED FOR: DESIGN VALIDATION	INTERPRETATION OF THIS DRAWING PER	
DSGN	A. ARMENDARIZ	ASME Y14.5M-1994	
APPV.	R. MARTINEZ	THIRD ANGLE PROJECTION	
DATE	10/31/08	MATERIAL:	
REV. LEVEL	RELEASED FOR: PRODUCTION VAL'D.	NAME:	
DSGN	A. ARMENDARIZ	COMPRESSOR	
APPV.	R. MARTINEZ	DWG. NO. 4271-6000	
DATE	10/31/08	REV. A	
REV. LEVEL	RELEASED FOR: PRODUCTION	DO NOT SCALE	
DSGN	A. ARMENDARIZ		
APPV.	R. MARTINEZ		
DATE	10/31/08		