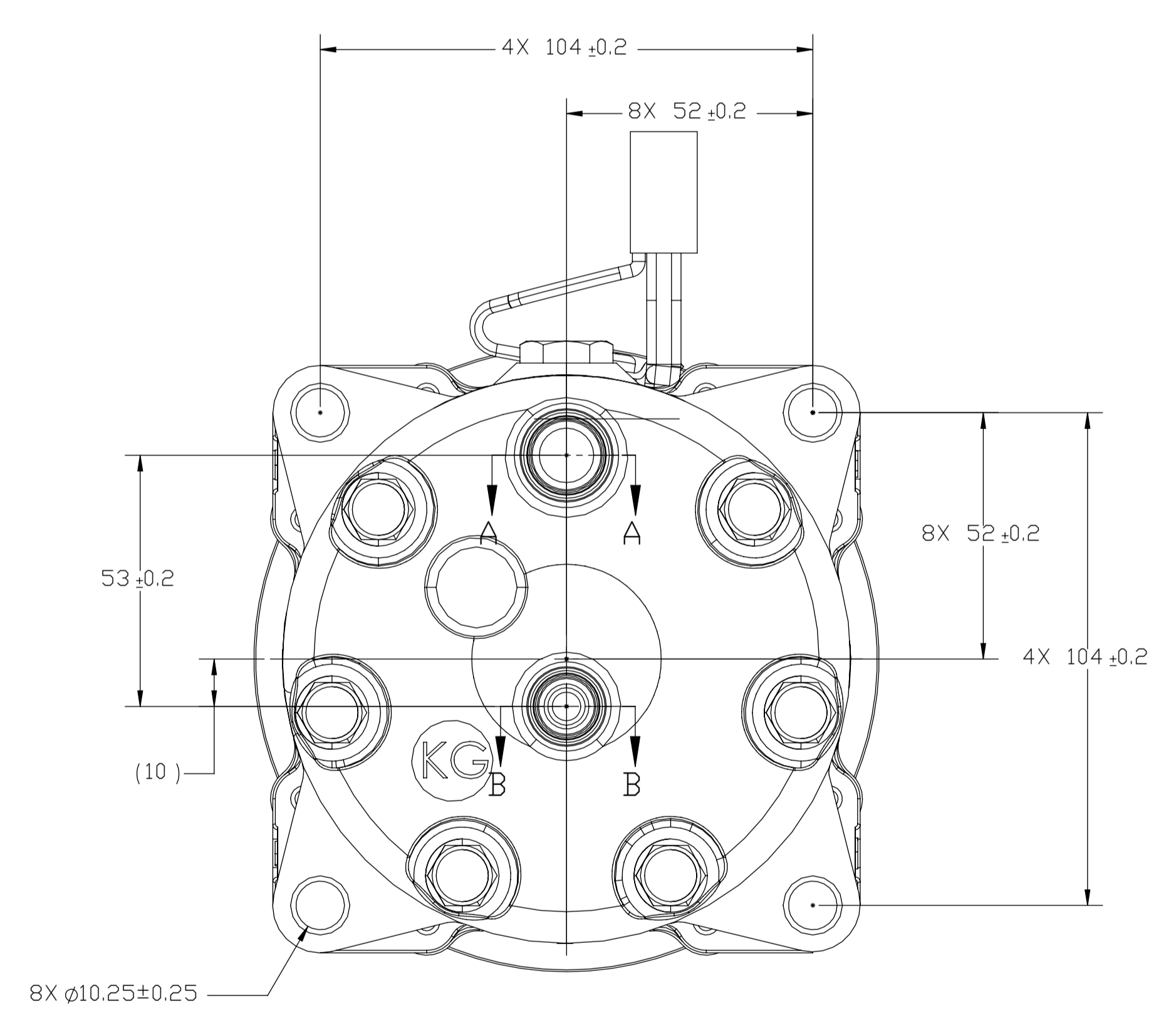
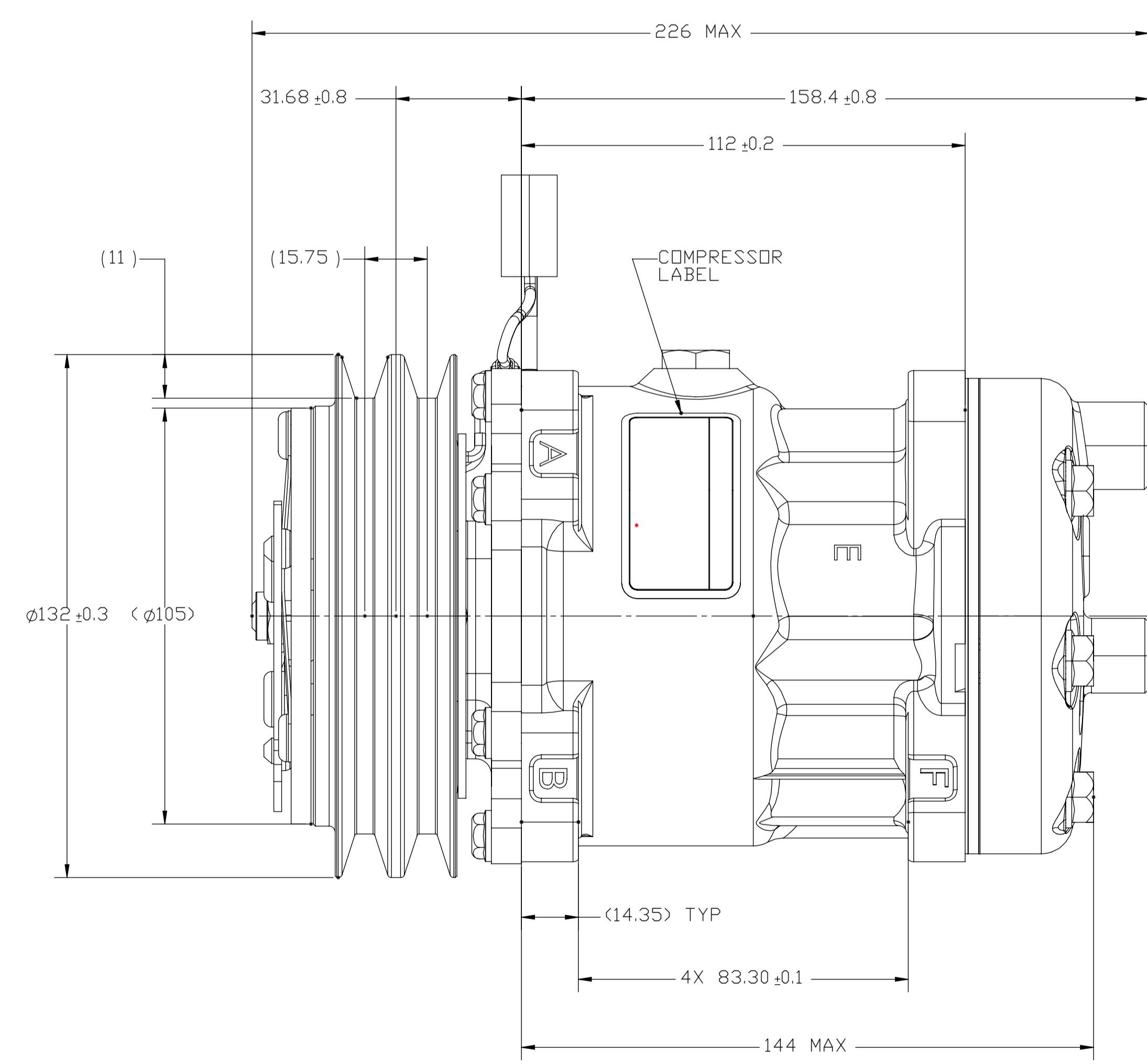
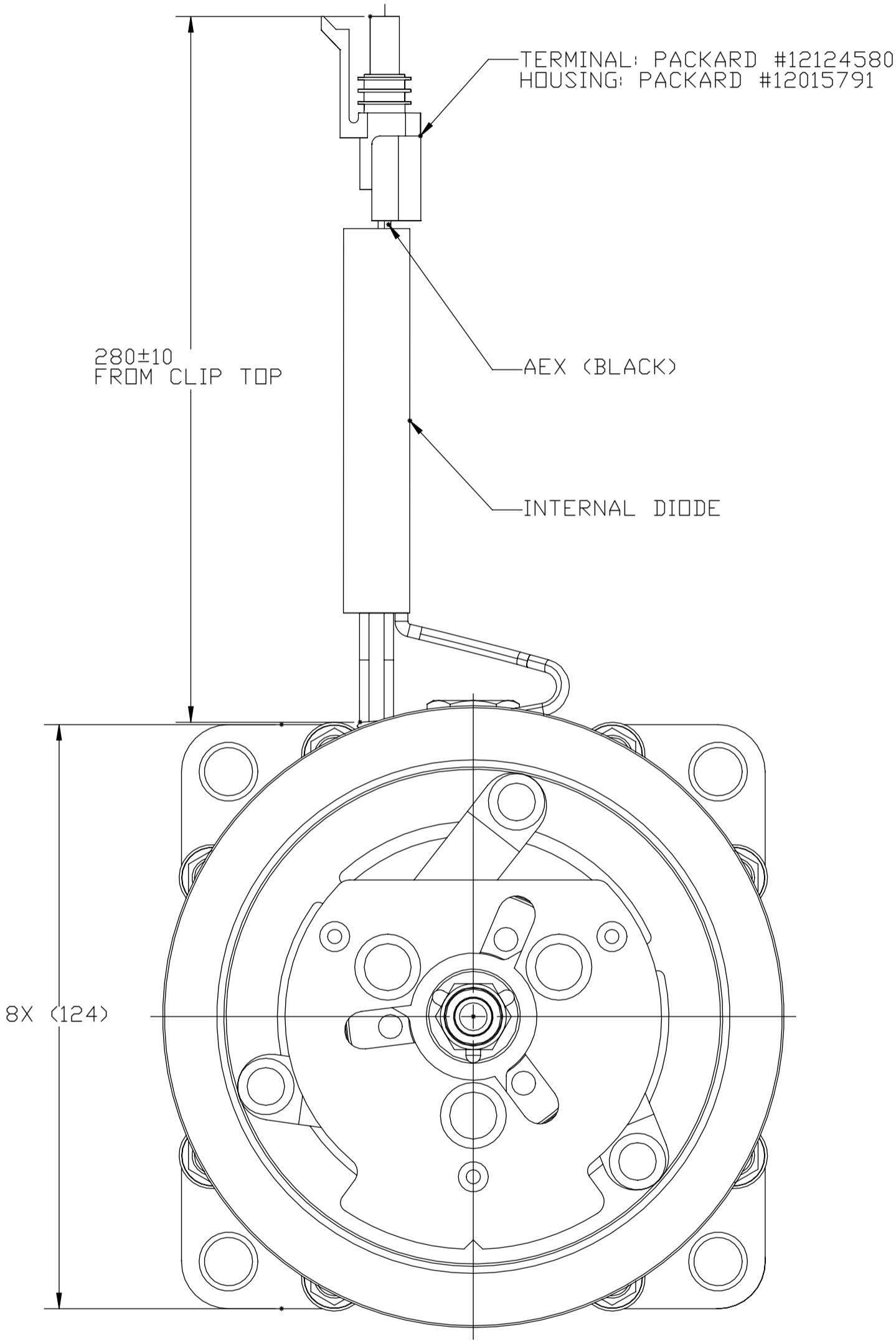
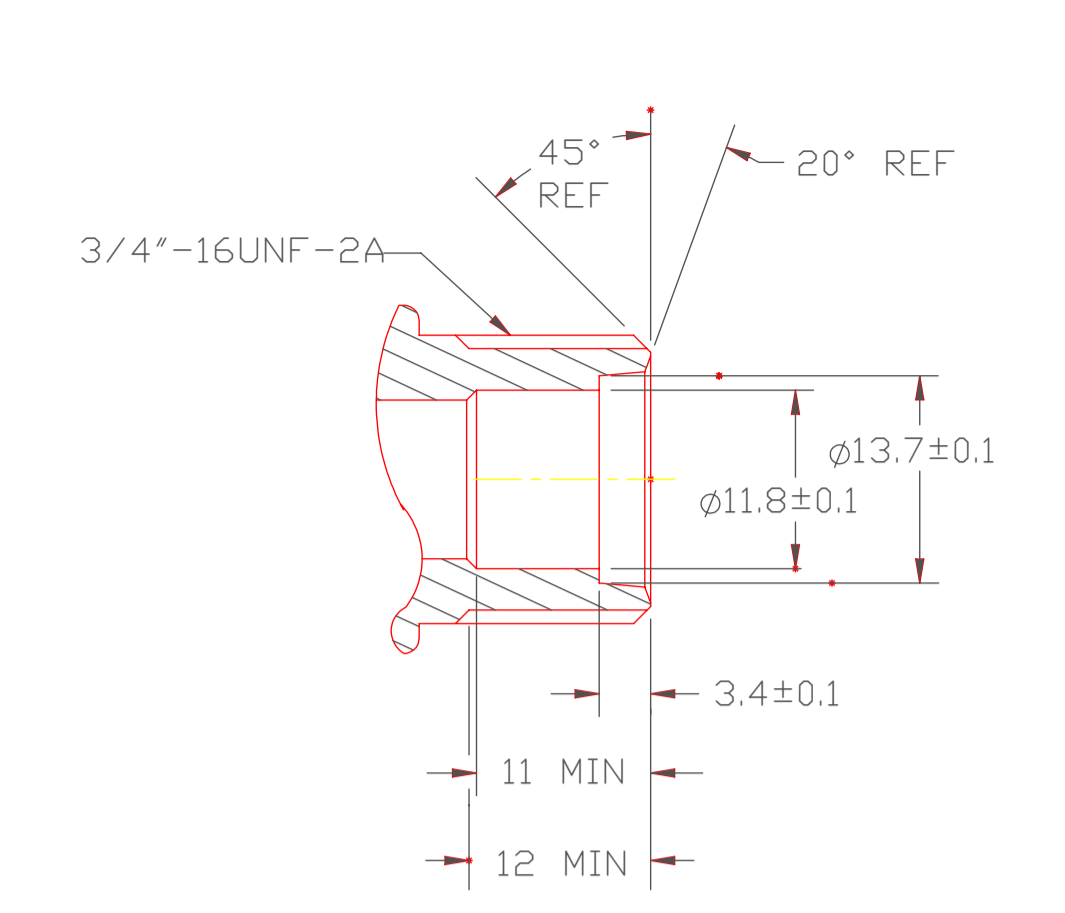
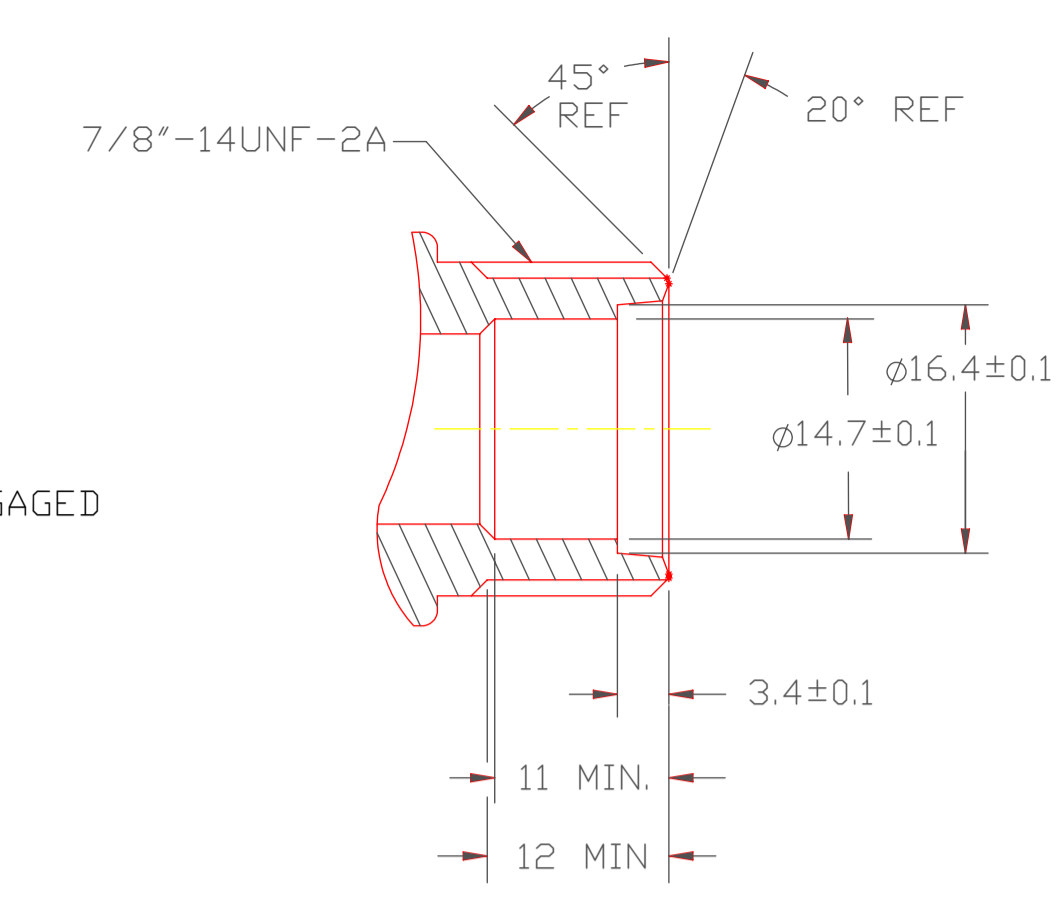
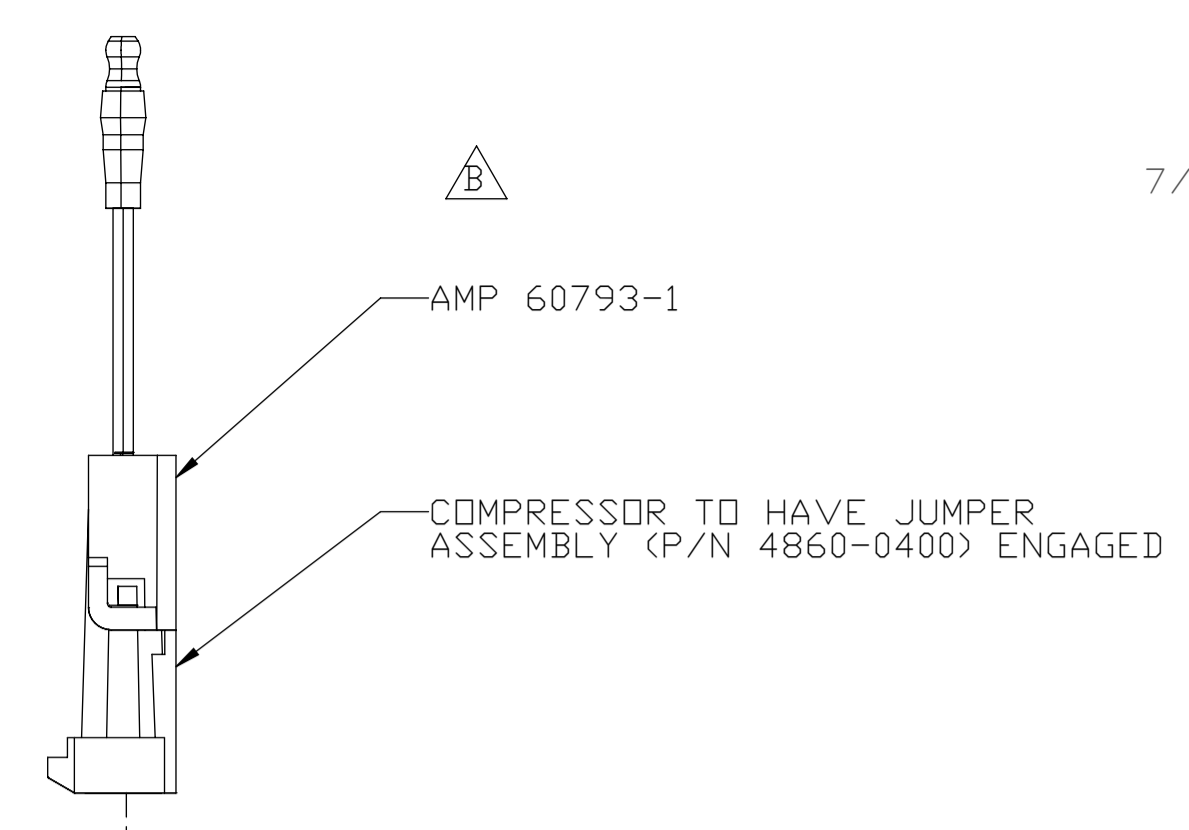


PDCN	REV.	DATE	REVISIONS	DWN	CHK	APPV
	△		INITIAL RELEASE			
8228	△	12/3/2008	ADDED JUMPER ASSEMBLY (P/N 4860-0400)	AA	SN	RM



**CLOCKWISE ROTATION**

**COMPRESSOR SPECIFICATIONS (REF)**

DISPLACEMENT PER REVOLUTION	154.9 cc
MAXIMUM ALLOWABLE RPM	8000 RPM
MAXIMUM ALLOWABLE CONTINUOUS RPM	6000 RPM
REFRIGERANT	R134a
OIL ( SP-15)	200±10 cc
COMPRESSOR WEIGHT	8 kg

**CLUTCH SPECIFICATIONS (REF)**

RATED VOLTAGE	DC 12V
BREAKAWAY TORQUE	3.5 kgf-m min. @ 12V
MINIMUM ENGAGEMENT VOLTAGE	7.5V @ AIR GAP 0.6mm
MAXIMUM POWER CONSUMPTION	49 W
BELT TYPE	A2
MAXIMUM ALLOWABLE BELT TENSION	60 kgf/Belt
PULLEY DIAMETER	φ132mm
CLUTCH TYPE	HEAVY DUTY

REV. LEVEL	RELEASED FOR: ENG'G DEVELOPMENT	<p><b>SANDEN</b> SANDEN INTERNATIONAL (U.S.A.), Inc.</p>	<p>SCALE REF 1:1 PLOTTED SCALE REF 1:1</p> <p><b>METRIC</b></p>
DSGN	A. ARMENDARIZ		
DWN	A. ARMENDARIZ	<p>This drawing and the information contained herein are CONFIDENTIAL and PROPRIETARY to Sanden International (U.S.A.), Inc., are received in CONFIDENCE and shall not be used, copied, or disclosed to others without the written permission of Sanden International (U.S.A.), Inc.</p>	<p>INTERPRETATION OF THIS DRAWING PER</p> <p><b>ASME Y14.5M-1994</b></p>
CHK	T. GORSKI		
APPV.	R. MARTINEZ	<p>THIRD ANGLE PROJECTION</p>	<p>SIZE <b>D</b></p>
DATE	10/31/08		
REV. LEVEL	RELEASED FOR: DESIGN VALIDATION	<p>MATERIAL:</p>	<p>NAME</p>
DSGN	A. ARMENDARIZ		
DWN	A. ARMENDARIZ	<p><b>COMPRESSOR</b></p>	<p>REV. <b>A</b></p>
CHK	T. GORSKI		
APPV.	R. MARTINEZ	<p>DWG. NO. <b>4272-6000</b></p>	<p>REV. <b>A</b></p>
DATE	10/31/08		
REV. LEVEL	RELEASED FOR: PRODUCTION	<p><b>DO NOT SCALE</b></p>	
DSGN	A. ARMENDARIZ		
DWN	A. ARMENDARIZ		
CHK	T. GORSKI		
APPV.	R. MARTINEZ		
DATE	10/31/08		