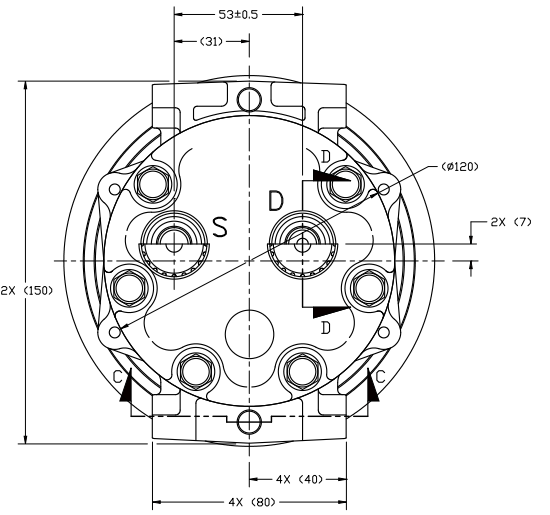
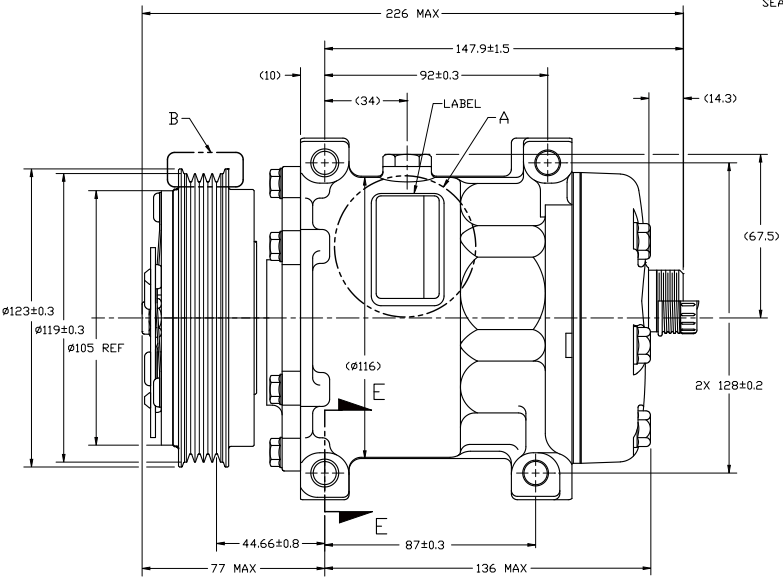
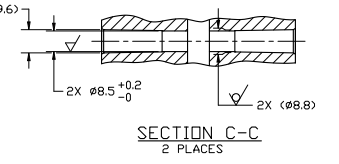
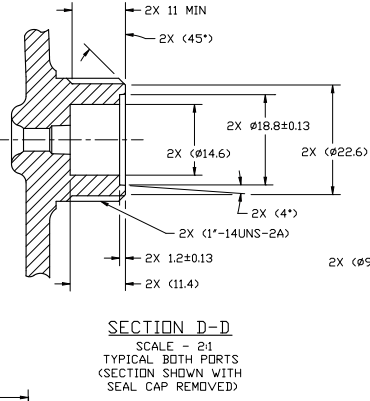
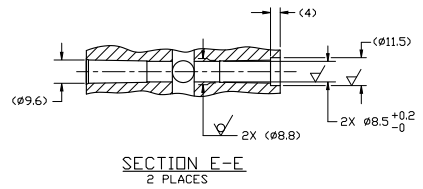
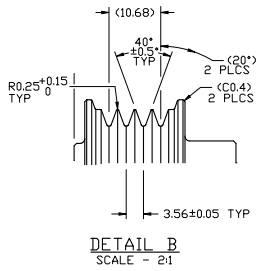
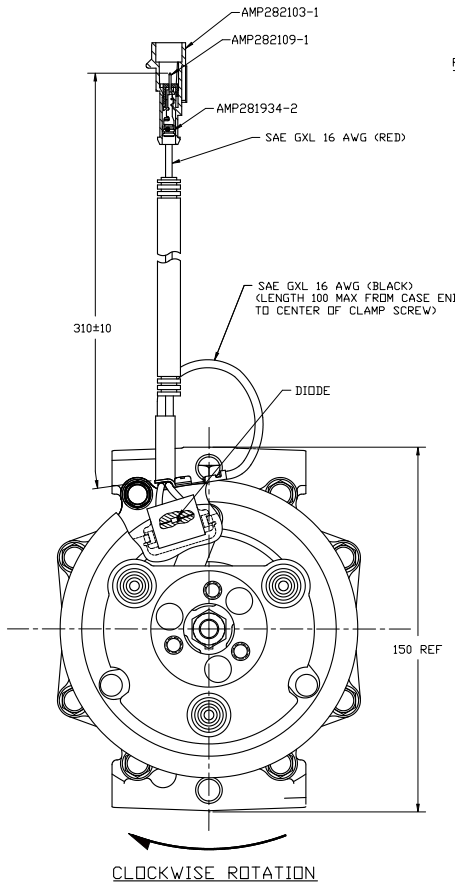


16 | 15 | 14 | 13 | 12 | 11 | 10 | 9 | 8 | 7 | 6 | 5 | 4 | 3 | 2 | 1

PCN	REV	APPV	DATE	REVISIONS	DWN	DSGN	CHK	APPV
				INITIAL ISSUE REF. DOC. 4224-600 REV. A				
8787	Δ		07/02/09	ADDED CIRCUIT DIAGRAM	AA	AA	SN	RH
9498	Δ		3/29/11	ADDED WEIGHT 6.921 kg (15.26 lb)	JS	JS	SN	HF

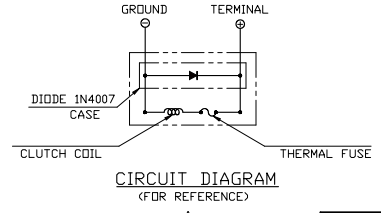


COMPRESSOR SPECIFICATIONS (REF)

DISPLACEMENT PER REVOLUTION	154.9 cc / rev. (9.5cu.in. / rev.)
MAXIMUM ALLOWABLE R.P.M.	8000 R.P.M.
MAXIMUM ALLOWABLE CONTINUOUS R.P.M.	6000 R.P.M.
REFRIGERANT	R134a
OIL (SP-15)	200 cc (6.7 fl.oz.)
WEIGHT WITH OIL	6.921 kg (15.26 lb)

CLUTCH SPECIFICATIONS (REF)

RATED VOLTAGE	DC 12V
BREAKAWAY TORQUE	3.5 kgf·m min. @ 12V
MINIMUM ENGAGEMENT VOLTAGE	7.5V @ AIR GAP 0.6mm
POWER CONSUMPTION	43 watts max.
BELT TYPE	PV4 TYPE
MAXIMUM ALLOWABLE BELT TENSION	120 kgf
PULLEY DIAMETER	Ø123 mm (4.84 in.)



RELEASE FROM PRODUCTION DATE: 02/28/09 NAME: Rene Martinez	INTERPRETATION OF THIS DRAWING PER ASME Y14.5M-1994 THIRD ANGLE PROJECTION SIZE: D
RELEASE FROM PRODUCTION DATE: 02/28/09 NAME: Rene Martinez	MATERIAL: - NAME: COMPRESSOR DWG. NO: 4274-6000 REV: C

DO NOT SCALE

16 | 15 | 14 | 13 | 12 | 11 | 10 | 9 | 8 | 7 | 6 | 5 | 4 | 3 | 2 | 1