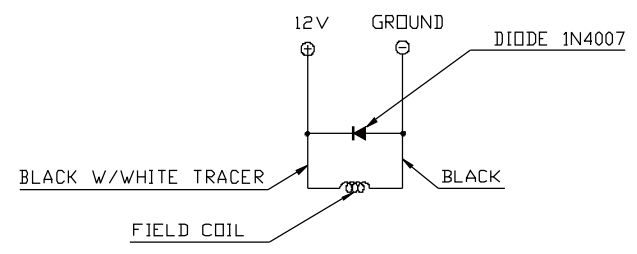
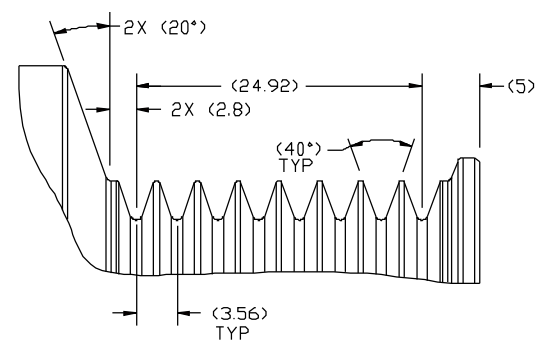


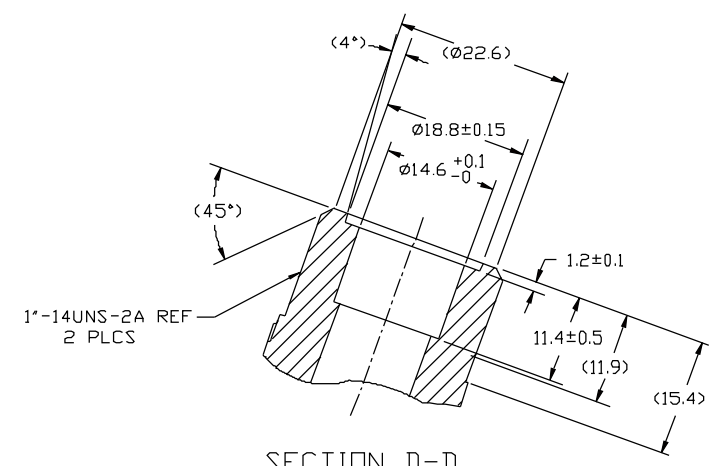
PDCN	REV.	APPV.	DATE	REVISIONS	DWN	DSGN	CHK	APPV.
	1			INITIAL RELEASE				



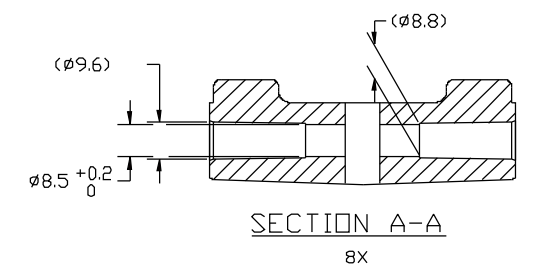
CIRCUIT DIAGRAM



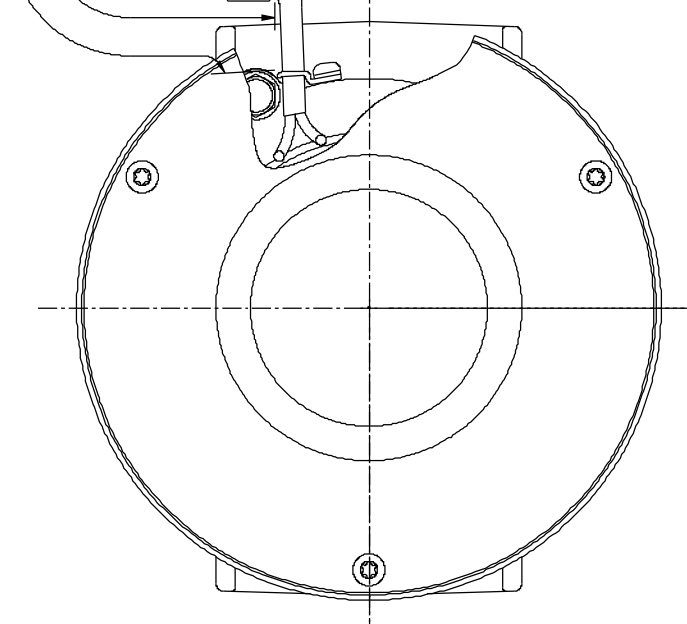
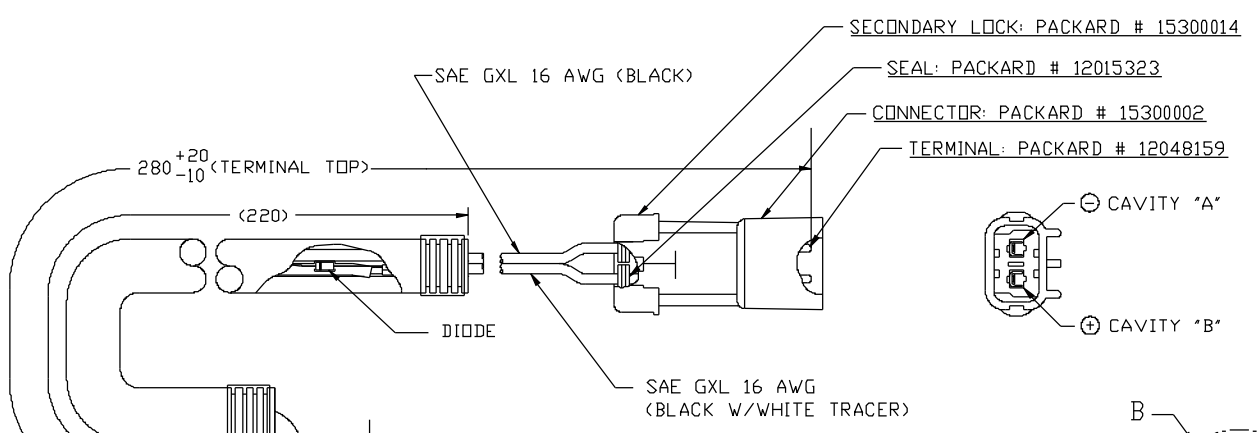
DETAIL B  
SCALE: 3:1



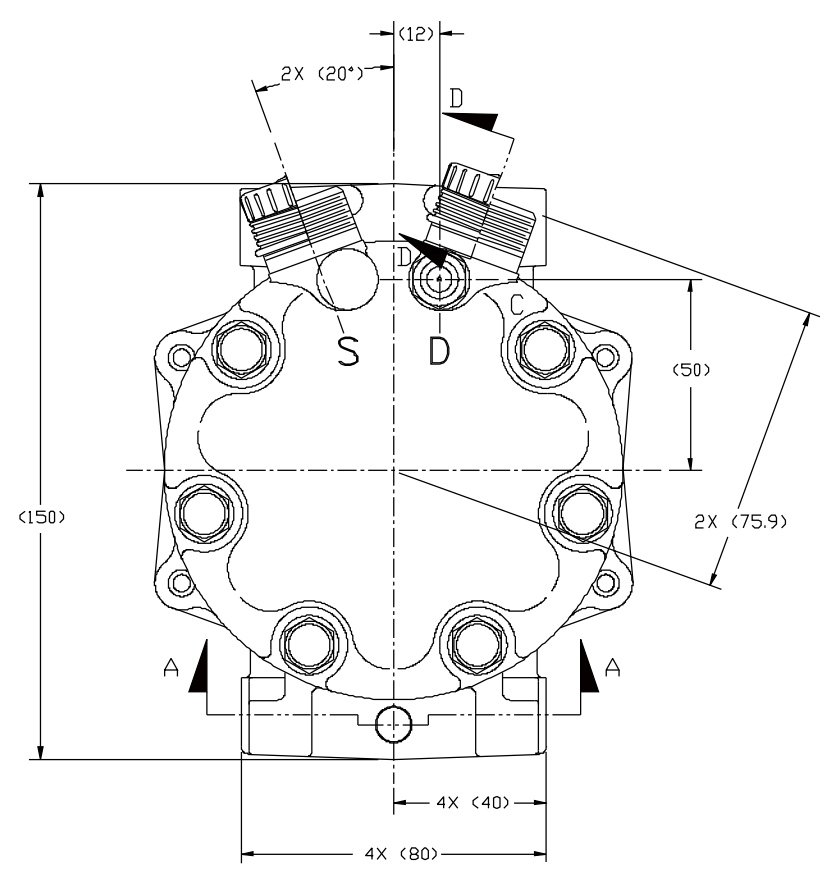
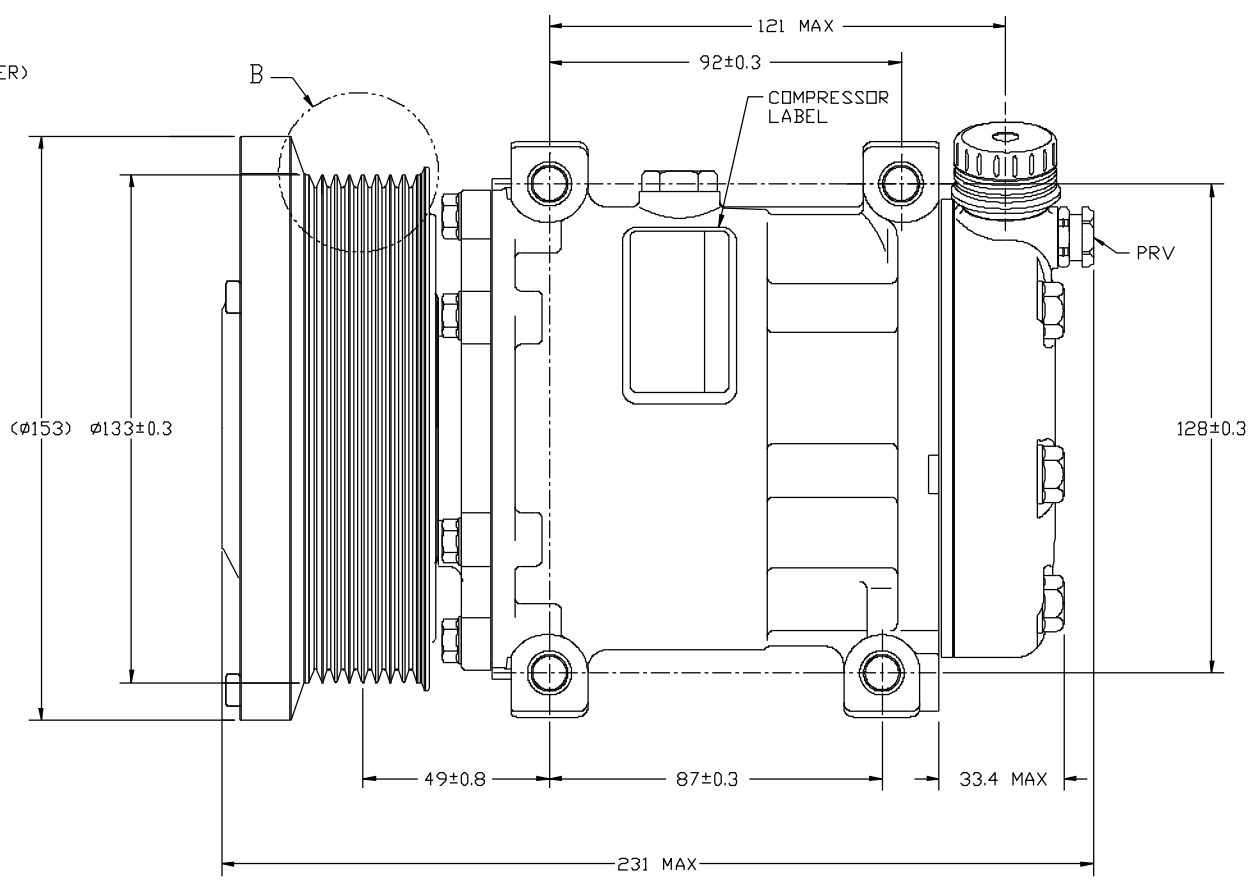
SECTION D-D  
SCALE 2:1  
(SECTION SHOWN WITH SEAL CAP REMOVED)  
2X



SECTION A-A  
8X



CLOCKWISE ROTATION



COMPRESSOR SPECIFICATIONS (REF)

DISPLACEMENT PER REVOLUTION	154.9 cc
MAXIMUM ALLOWABLE RPM	4000 RPM
MAXIMUM ALLOWABLE CONTINUOUS RPM	4000 RPM
REFRIGERANT	R134a
OIL ( SP-15 )	285 cc
COMPRESSOR WEIGHT	TBD

CLUTCH SPECIFICATIONS (REF)

RATED VOLTAGE	12V
MINIMUM BREAKAWAY TORQUE	34 Nm @ 12V
MINIMUM ENGAGEMENT VOLTAGE	7.5V @ 0.6 mm AIR GAP
MAXIMUM POWER CONSUMPTION	43 W
BELT TYPE	PV8
MAXIMUM ALLOWABLE BELT TENSION	1177 N
PULLEY DIAMETER	Ø133 mm
CLUTCH TYPE	SEALED HEAVY DUTY

DO NOT SCALE

REV. LEVEL	RELEASED FOR: ENGR. DEVELOPMENT	<p>SANDEN INTERNATIONAL (U.S.A.), INC.</p>	SCALE REF	1:1	PLOTTED SCALE REF	1:1	METRIC	
DSGN	A. ARMENDARIZ		DRAWN	T. GORSKI	CHK	S. NAGARA	<p>This drawing and the information contained hereon are CONFIDENTIAL and PROPRIETARY to Sanden International (U.S.A.), Inc. and are received in CONFIDENCE and shall not be used, copied, or disclosed to others without the written permission of Sanden International (U.S.A.), Inc.</p>	
APPV.	H. FARAH	DATE	06/26/09	REV. LEVEL	RELEASED FOR: DESIGN VALIDATION	INTERPRETATION OF THIS DRAWING PER ASME Y14.5M-1994		
DSGN	A. ARMENDARIZ	APPV.	H. FARAH	DATE	06/26/09	THIRD ANGLE PROJECTION	SIZE D	
REV. LEVEL	RELEASED FOR: PRODUCTION VAL'D	MATERIAL:						
DSGN	A. ARMENDARIZ	NAME	COMPRESSOR					
APPV.	H. FARAH	DWG. NO.	4290-6000				REV.	A
DATE	06/26/09							