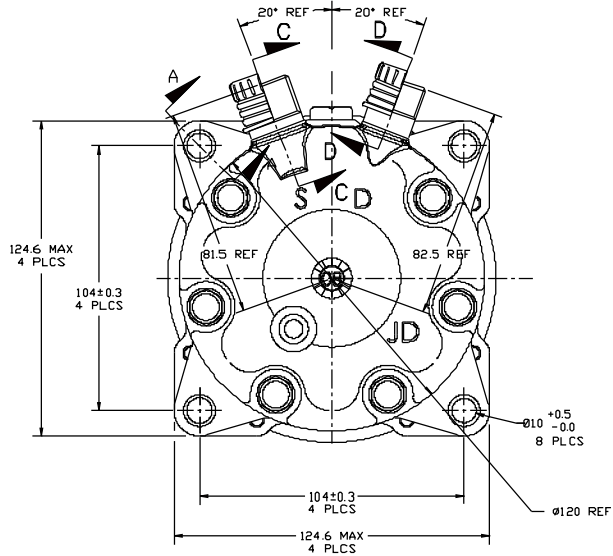
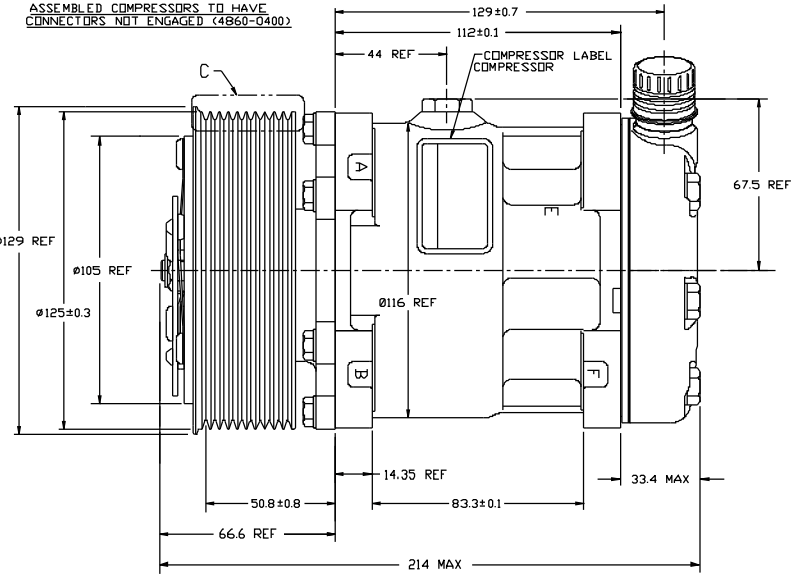
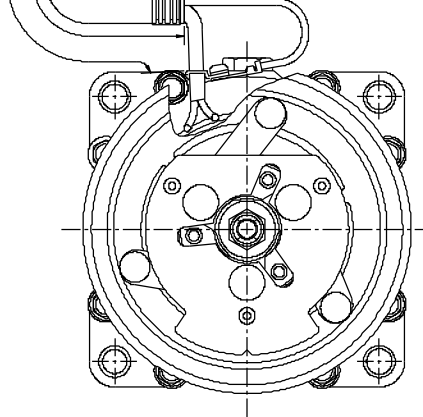
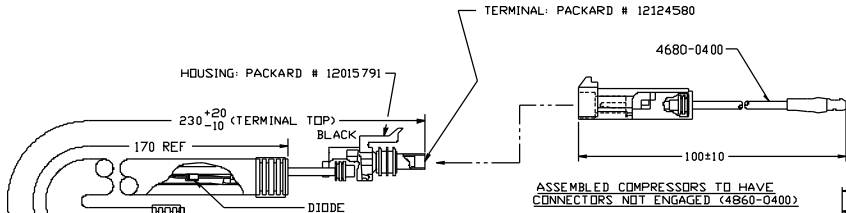
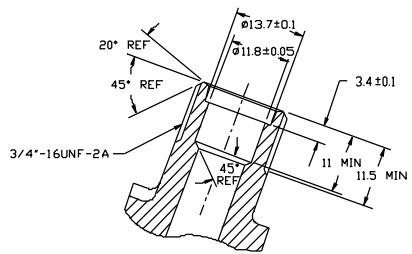
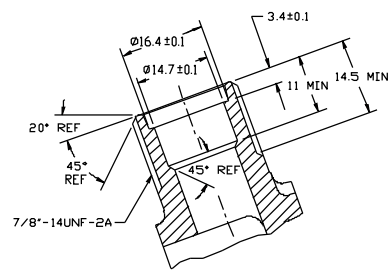
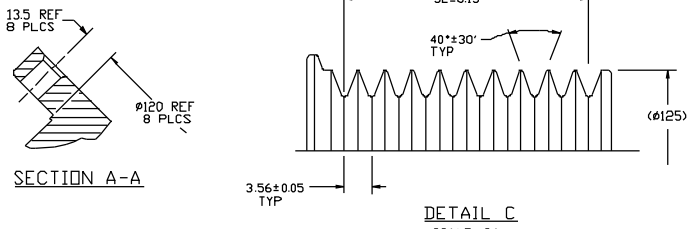
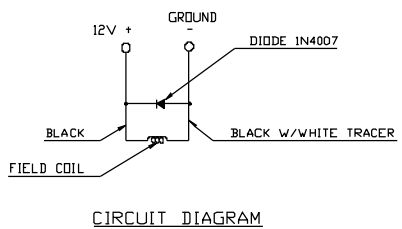


PN	REV	APPV	DATE	REV	ISSUES	OWN	ISSN	CHK	APPY
					INITIAL ISSUE				



COMPRESSOR SPECIFICATIONS (REF)

DISPLACEMENT PER REVOLUTION	154.9 cc / rev. (9.5 cu. in. / rev.)
MAXIMUM ALLOWABLE R.P.M.	7000 R.P.M.
MAXIMUM ALLOWABLE CONTINUOUS R.P.M.	6000 R.P.M.
REFRIGERANT	R134a
OIL (SP-15)	175 cc (5.92 floz.)
WEIGHT	TBD

CLUTCH SPECIFICATIONS (REF)

RATED VOLTAGE	DC 12V
BREAKAWAY TORQUE	3.5 kgf-m min. @ 12V
MINIMUM ENGAGEMENT VOLTAGE	7.5V @ AIR GAP 0.6mm
POWER CONSUMPTION	49 watts max.
BELT TYPE	PV 10
MAXIMUM ALLOWABLE BELT TENSION	150 kgf
PULLEY DIAMETER	Ø125 mm (4.92 in.)
CLUTCH TYPE	HEAVY DUTY

DO NOT SCALE

<p>SAN DEN SANDEN INTERNATIONAL, CORP. U.S.A. INC. 11450 W. 11th St., Torrance, CA 90504</p>	
<p>DESIGN: Torrance, Calif. OWN: Torrance, Calif. CHK: Shiba, Nagasaki</p>	<p>SCALE REF: 1:1 SCALE REF: 1:1 SCALE REF: 1:1</p>
<p>APPV: Date: 6/1/89 REV: 1/1/89 DATE: 6/1/89</p>	<p>INTERPRETATION OF THIS DRAWING PER ASME Y14.3M-1994</p>
<p>RELEASE FOR PRODUCTION DESIGN: Torrance, Calif. APPV: Date: 6/1/89 DATE: 6/1/89</p>	<p>THIRD ANGLE PROJECTION</p>
<p>RELEASE FOR PRODUCTION DESIGN: Torrance, Calif. APPV: Date: 6/1/89 DATE: 6/1/89</p>	<p>MATERIAL:</p>
<p>RELEASE FOR PRODUCTION DESIGN: Torrance, Calif. APPV: Date: 6/1/89 DATE: 6/1/89</p>	<p>NAME</p>
<p>RELEASE FOR PRODUCTION DESIGN: Torrance, Calif. APPV: Date: 6/1/89 DATE: 6/1/89</p>	<p>COMPRESSOR</p>
<p>OWN: No. 4296-6000 DATE: 6/1/89</p>	<p>REV: A</p>