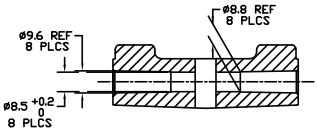
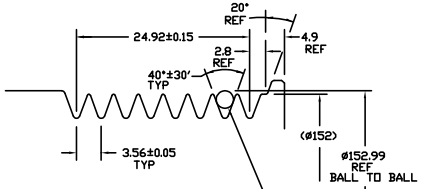


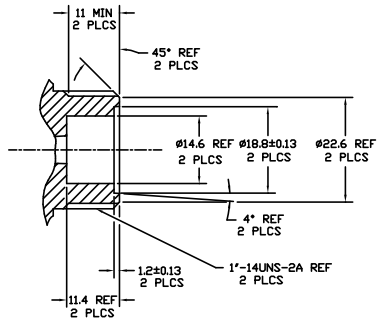
PCN	REV	APPV	DATE	REVISIONS	DWG	SDN	CHK	APPV
				INITIAL RELEASE				



SECTION A-A

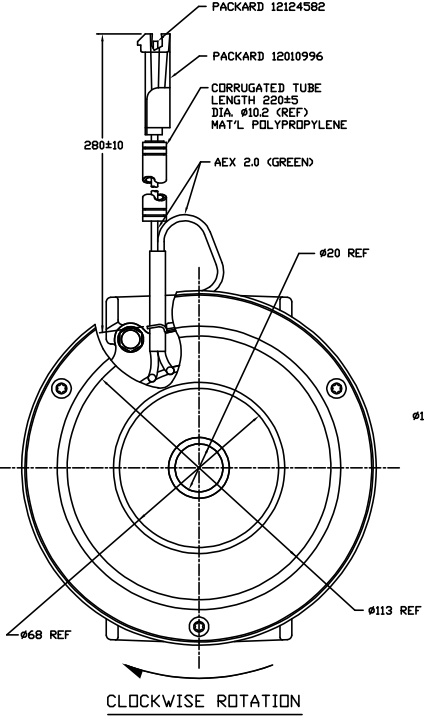


DETAIL B
SCALE: 3:1

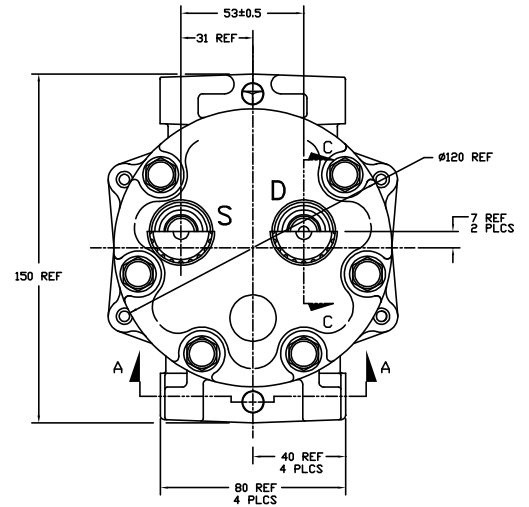
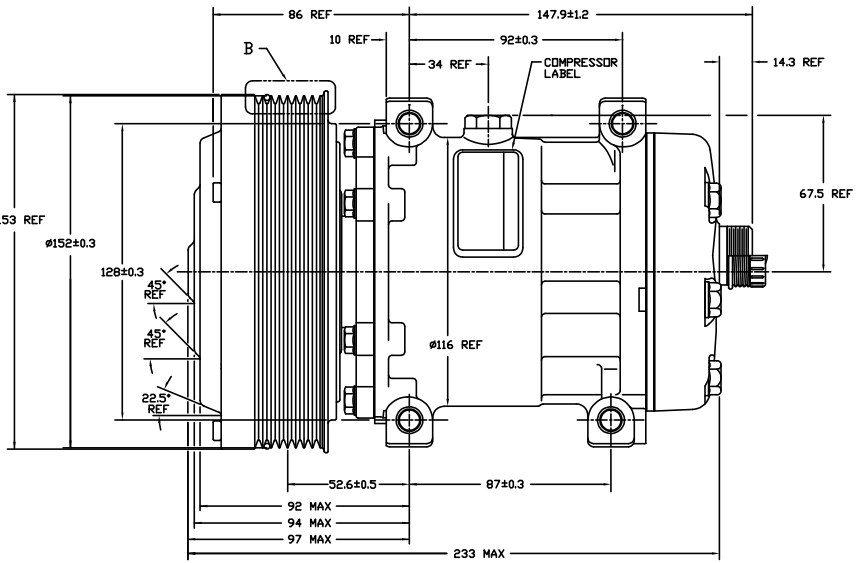


SECTION C-C

SCALE: 2:1
TYPICAL BOTH PORTS
(SECTION SHOWN WITH
SEAL CAP REMOVED)



CLOCKWISE ROTATION



COMPRESSOR SPECIFICATIONS

DISPLACEMENT PER REVOLUTION	154.9 cc/rev. (9.5 cu.in./rev.)
MAXIMUM ALLOWABLE R.P.M.	4000 R.P.M.
MAXIMUM ALLOWABLE CONTINUOUS R.P.M.	4000 R.P.M.
REFRIGERANT	R134a
OIL (SP-15)	285 cc (9.6 fl. oz.)

CLUTCH SPECIFICATIONS

RATED VOLTAGE	DC 24V
BREAKAWAY TORQUE	3.5 kpf-m min. @ 24V
MINIMUM ENGAGEMENT VOLTAGE	16V MAX @ AIR GAP 0.4-0.8 mm
POWER CONSUMPTION	45 watts max.
BELT TYPE	PV8 TYPE
MAXIMUM ALLOWABLE BELT TENSION	120 kgf
PULLEY DIAMETER	Ø152 mm (5.98 in.)
CLUTCH TYPE	SEALED HEAVY DUTY

REV. 1 J. Harrington DATE 4/12/04 APPV. NB JC DATE 4/13/04 REV. 2 J. Harrington DATE 4/13/04 APPV. NB JC DATE 4/13/04 REV. 3 J. Harrington DATE 4/13/04 APPV. NB JC	INTERPRETATION OF THIS DRAWING PER ASME Y14.5M-1994 THIRD ANGLE PREDICTION SIZE D MATERIAL NAME COMPRESSOR DWG. NO. 4300-6000 REV A

DO NOT SCALE