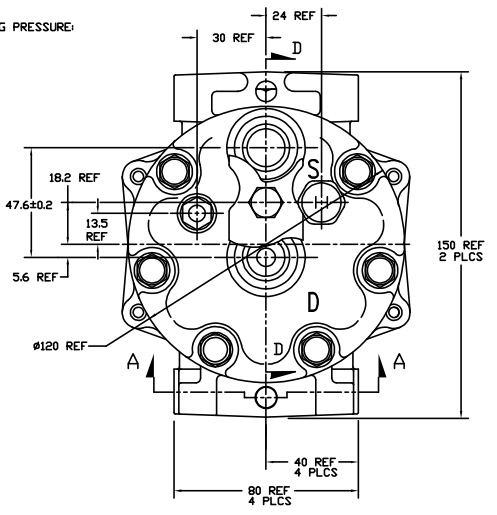
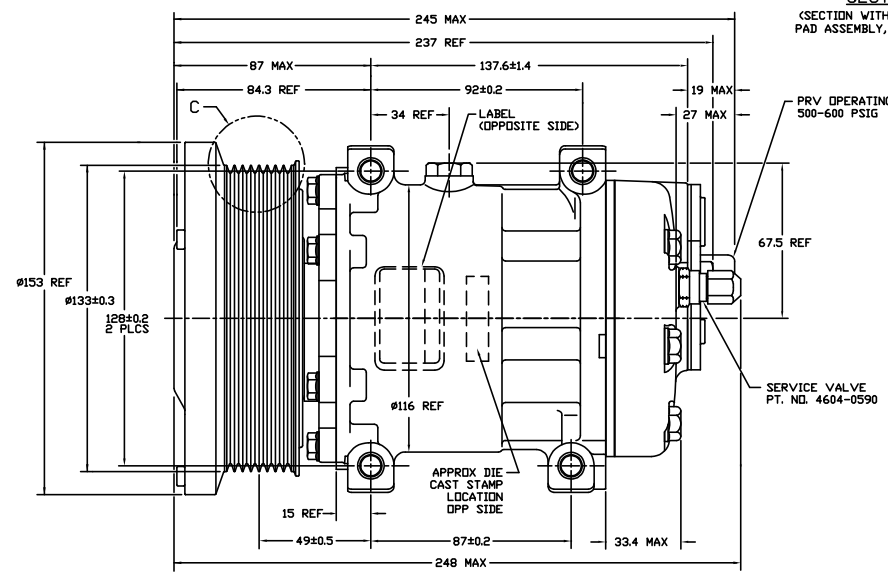
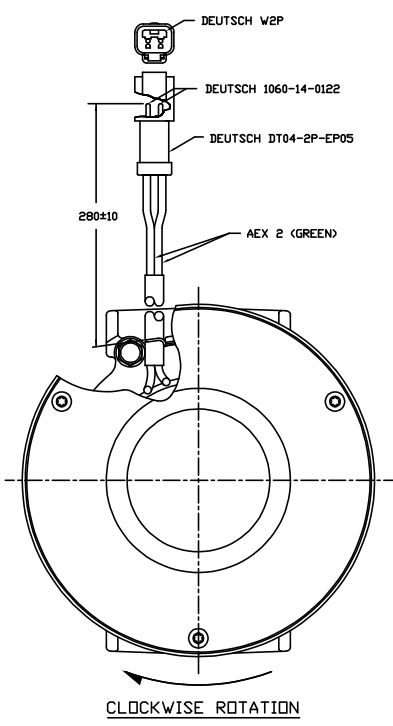
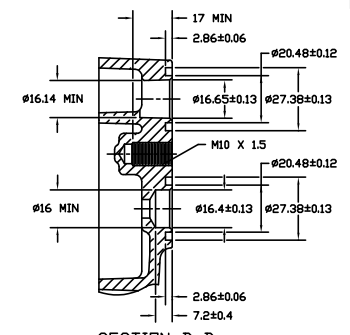
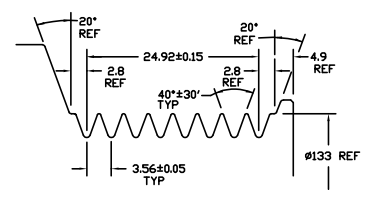
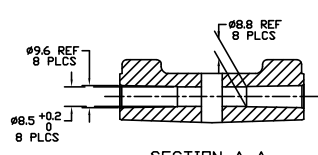
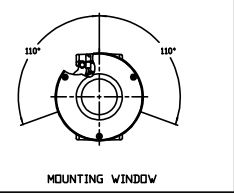


PKCN	REV	APPV DATE	REVISIONS	DRN	DSGN	CHK	APPV
			INITIAL ISSUE				



**COMPRESSOR SPECIFICATIONS**

DISPLACEMENT PER REVOLUTION	154.9 cc / rev. ( 9.5 cu. in./rev. )
MAXIMUM ALLOWABLE R.P.M.	4000 R.P.M.
MAXIMUM ALLOWABLE CONTINUOUS R.P.M.	4000 R.P.M.
REFRIGERANT	R134a
OIL ( SP-15 )	300 cc ( 10.1 fl. oz. )
WEIGHT	9.0 kg ( 19.7 lb. )

**CLUTCH SPECIFICATIONS**

RATED VOLTAGE	DC 24V
BREAKAWAY TORQUE	3.5 kgf-m min. @ 24V
MINIMUM ENGAGEMENT VOLTAGE	16V @ AIR GAP 0.6mm REF
POWER CONSUMPTION	34 watts max.
BELT TYPE	PVB TYPE
MAXIMUM ALLOWABLE BELT TENSION	120 kgf
PULLEY DIAMETER	133mm ( 5.2 in. )
CLUTCH TYPE	SEALED HEAVY DUTY

DO NOT SCALE

SANDEN	
SANDEN INTERNATIONAL (U.S.A.), INC.	
REV. A	SCALE: REF 1:1 METRIC
APPV: 10/99	This drawing and the information contained herein are copyrighted and proprietary to Sanden International (U.S.A.), Inc. and are intended for internal use only. No part of this drawing may be reproduced or transmitted in any form or by any means, electronic, mechanical, photocopying, recording, or by any information storage and retrieval system, without the written permission of Sanden International (U.S.A.), Inc.
DATE: 10/99	
REV. A	INTERPRETER OF THIS DRAWING PER ASME Y14.2M-1994
APPV: 10/99	THIRD ANGLE PROJECTION
DATE: 10/99	MATERIAL: -
REV. A	NAME: COMPRESSOR
APPV: 10/99	DWG. NO.: 4301-6000
DATE: 10/99	REV: A