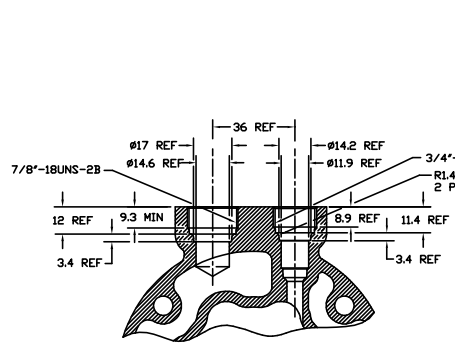
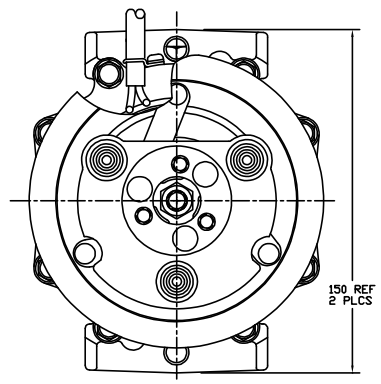


PKCN	REV	APPV	DATE	REVISIONS	DRN	BSN	CHK	APPV
				INITIAL ISSUE				

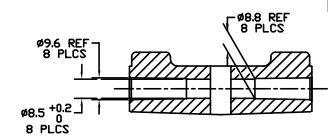
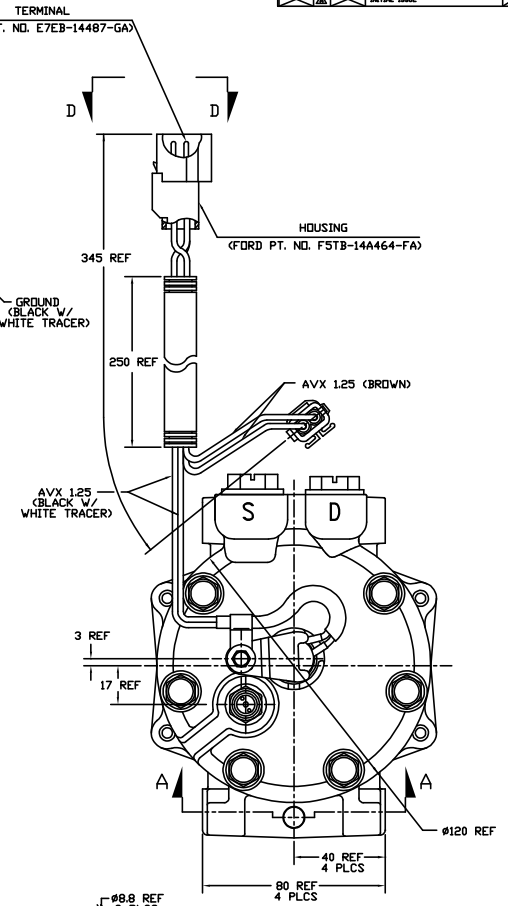
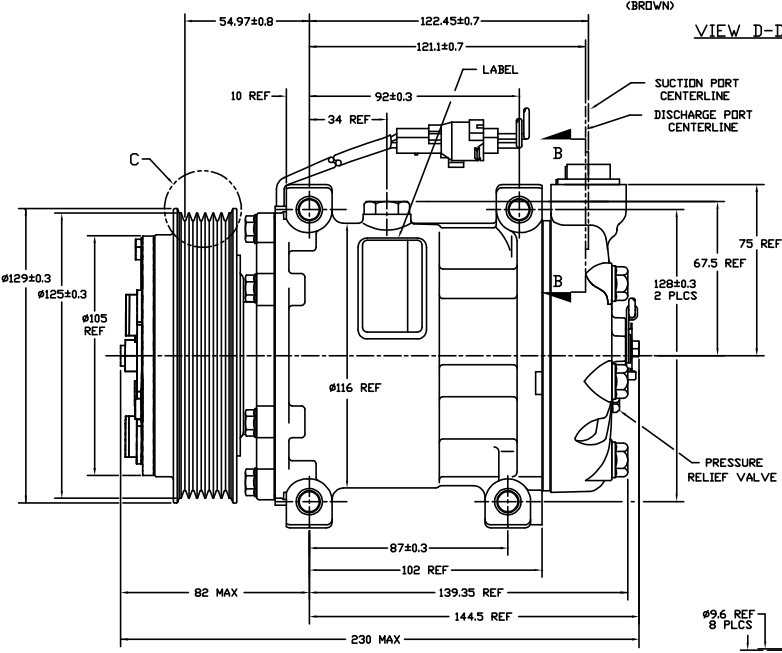
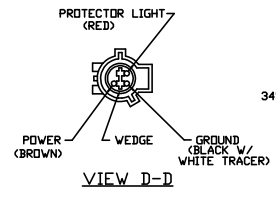
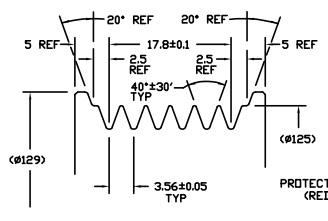
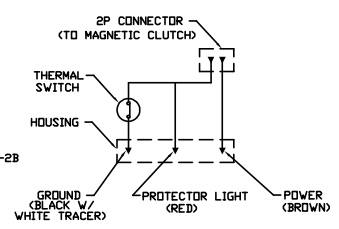


SECTION B-B
(THRU SUCTION AND DISCHARGE PORT CENTERLINES)



COMPRESSOR SPECIFICATIONS

DISPLACEMENT PER REVOLUTION	154.9 cc / rev. (9.5cuin. / rev.)
MAXIMUM ALLOWABLE R.P.M.	8000 R.P.M.
MAXIMUM ALLOWABLE CONTINUOUS R.P.M.	6000 R.P.M.
REFRIGERANT	R134a
OIL (37-15)	300 cc (10.1 fl.oz.)
WEIGHT	7.4 kgf (16.4 lb.)



CLUTCH SPECIFICATIONS

RATED VOLTAGE	DC 12V
BREAKAWAY TORQUE	3.5 kgf·m min. @ 12V
MINIMUM ENGAGEMENT VOLTAGE	7.5V @ AIR GAP 0.6mm REF
POWER CONSUMPTION	49 watts max.
BELT TYPE	PVS TYPE
MAXIMUM ALLOWABLE BELT TENSION	90 kgf
PULLEY DIAMETER	Ø125mm (4.9 in.)
CLUTCH TYPE	HEAVY DUTY

A	DATE	09/20/99	<p>SANDEN INTERNATIONAL (USA) INC.</p>	<p>THIS DRAWING AND THE INFORMATION CONTAINED HEREON ARE CONFIDENTIAL AND PROPRIETARY TO SANDEN INTERNATIONAL (USA) INC. AND SHALL BE KEPT IN CONFIDENCE AND SHALL NOT BE REPRODUCED OR DISCLOSED IN ANY MANNER WITHOUT THE WRITTEN PERMISSION OF SANDEN INTERNATIONAL (USA) INC.</p>	
	APPV	JTB JB			
	CHK	JTB JB			
	DESIGNATION	4304-6000			
A	REVISION	11	SCALE	1:1	METRIC
A	DATE	09/20/99	THIRD ANGLE PROJECTION	SIZE	D
A	DATE	09/20/99	NATURAL		
A	DATE	09/20/99	NAME		
A	DATE	09/20/99	DESCRIPTION		
A	DATE	09/20/99	DWG. NO.	4304-6000	REV
A	DATE	09/20/99			A

DO NOT SCALE