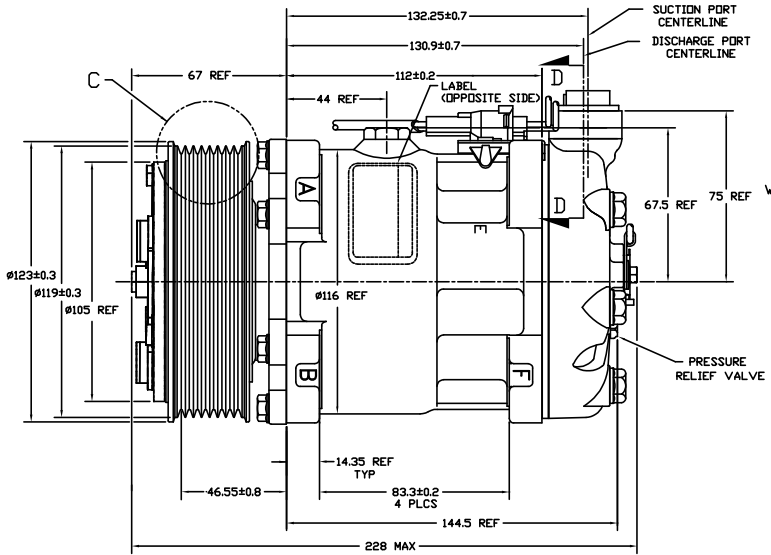
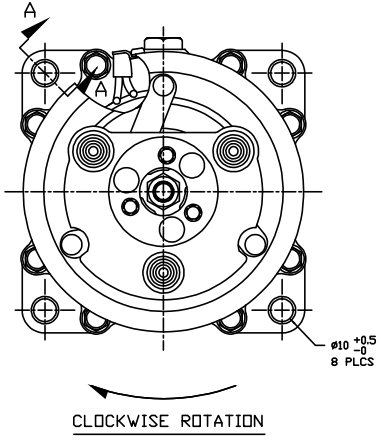
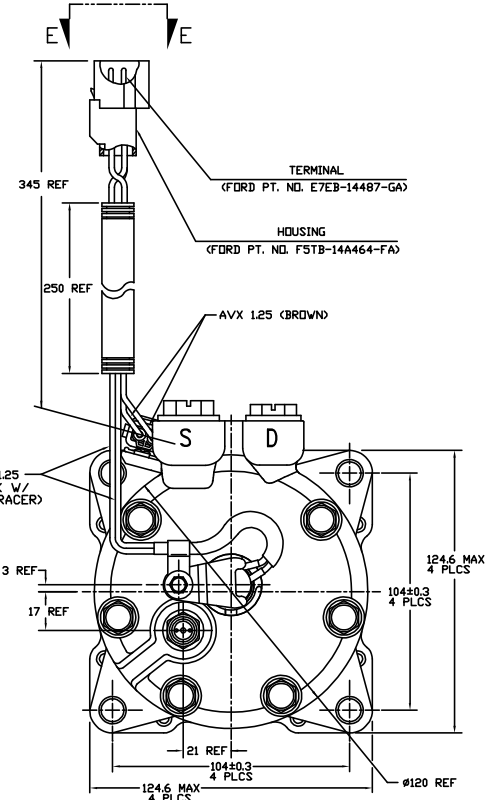
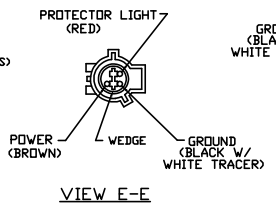
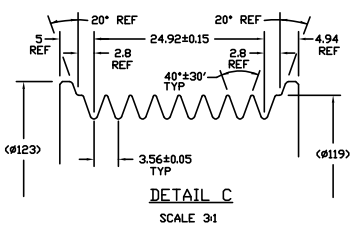
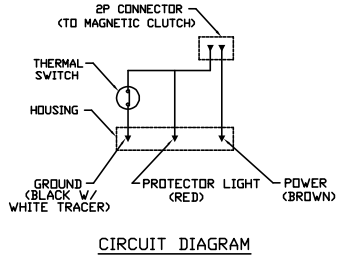
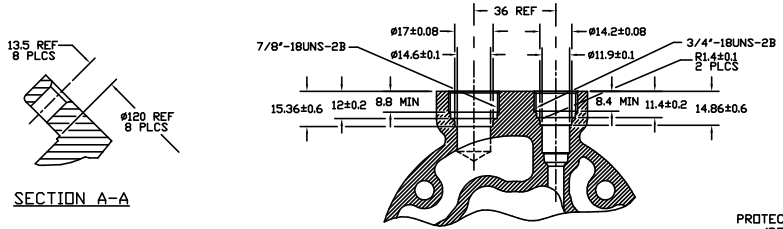


PKR	REV	APPV	DATE	REVISIONS	DWN	BSN	CHK	APPV
				INITIAL ISSUE				



COMPRESSOR SPECIFICATIONS

DISPLACEMENT PER REVOLUTION	1549 cc / rev. (9.5cuin. / rev.)
MAXIMUM ALLOWABLE R.P.M.	6000 R.P.M.
MAXIMUM ALLOWABLE CONTINUOUS R.P.M.	4000 R.P.M.
REFRIGERANT	R134a
OIL (SP-15)	300 cc (10.1 floz.)

CLUTCH SPECIFICATIONS

RATED VOLTAGE	DC 12V
BREAKAWAY TORQUE	3.5 kgf·m min. @ 12V
MINIMUM ENGAGEMENT VOLTAGE	7.5V @ AIR GAP 0.6mm REF
POWER CONSUMPTION	49 watts max.
BELT TYPE	PV8 TYPE
MAXIMUM ALLOWABLE BELT TENSION	120 kgf
PULLEY DIAMETER	Ø119mm (4.68 in.)

DO NOT SCALE

THIS DRAWING AND THE INFORMATION CONTAINED HEREON ARE CONFIDENTIAL AND PROPRIETARY TO SANDEN INTERNATIONAL (U.S.A.), INC. AND SHALL BE KEPT AS SUCH AND NOT TO BE REPRODUCED OR DISCLOSED IN ANY MANNER WITHOUT THE WRITTEN PERMISSION OF SANDEN INTERNATIONAL (U.S.A.), INC.	IDENTIFICATION OF THIS DRAWING FOR: ASME Y14.5M-1994
THIRD ANGLE PROJECTION	SIDE D
COMPRESSOR	
DWG. NO. 4305-6000	REV. A