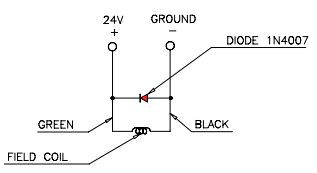
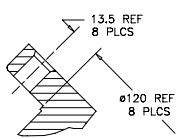


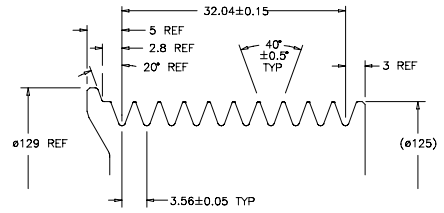
16 15 14 13 12 11 10 9 8 7 6 5 4 3 2 1



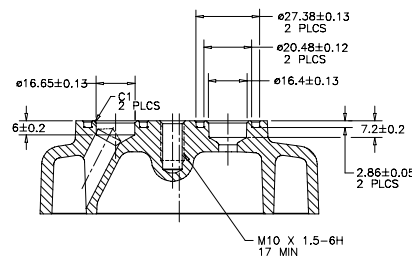
CIRCUIT DIAGRAM



SECTION A-A

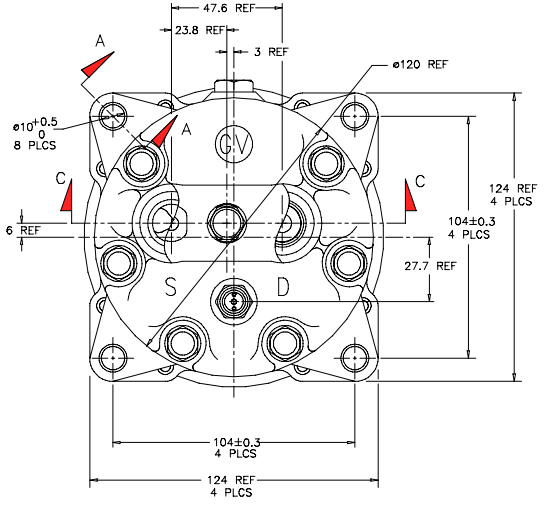
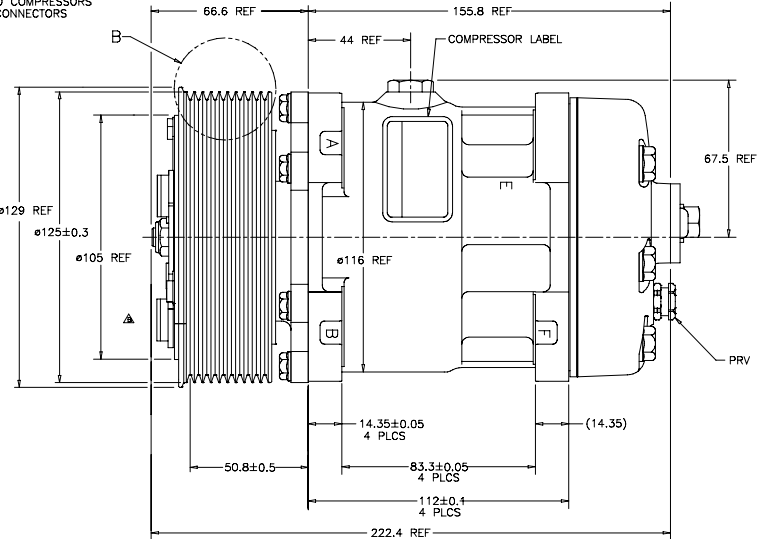
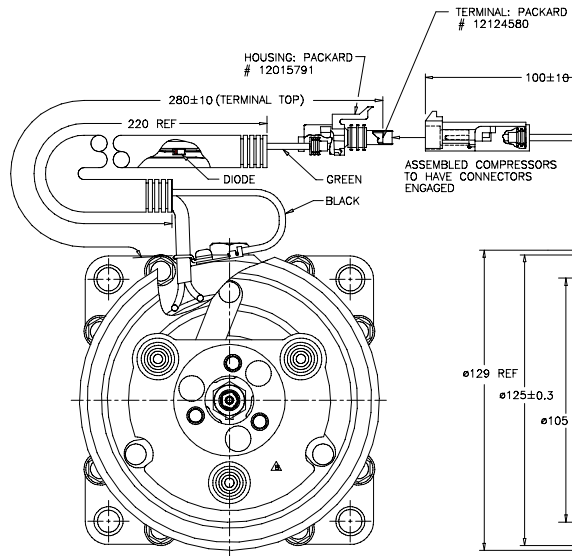


DETAIL B
SCALE: 3:1



SECTION C-C
(SECTION WITH O-RINGS, SHIPPING PAD ASSEMBLY, AND BOLT REMOVED)

POD	REV	APPV DATE	REVISIONS	DWG	DOOR	CHK	APPV
2004118	Δ	5/12/04	INITIAL ISSUE				
			KEYED RUBBER DAMPED ARMATURE WAS KEYED STANDARD ARMATURE.	NB	NB	NB	NB



COMPRESSOR SPECIFICATIONS

DISPLACEMENT PER REVOLUTION	154.9 cc / rev. (9.5 cu. in. / rev.)
MAXIMUM ALLOWABLE R.P.M.	7000 R.P.M.
MAXIMUM ALLOWABLE CONTINUOUS R.P.M.	6000 R.P.M.
REFRIGERANT	R134a
OIL (SP-15)	200 cc (6.76 fl.oz.)

CLUTCH SPECIFICATIONS

RATED VOLTAGE	DC 24V
BREAKAWAY TORQUE	3.5 kgf-m min. @ 24V
MINIMUM ENGAGEMENT VOLTAGE	18V @ AIR GAP 0.6mm REF
POWER CONSUMPTION	34 watts max.
BELT TYPE	PV 10
MAXIMUM ALLOWABLE BELT TENSION	120 kgf
PULLEY DIAMETER	ø125 mm (4.92 in.)
CLUTCH TYPE	STANDARD

DO NOT SCALE

LEVEL	RELEASED FOR DESIGN	DESIGNER	DATE	SCALE	UNIT	REVISIONS	DATE	BY	CHK	APPV
A	DESIGN	J Solovesh	7/15/04	1:1	METRIC					
B	DESIGN	NB	8/27/04							
B	RELEASED FOR PRODUCTION	NB	8/27/04							
<p>SANDEN SANDEN INTERNATIONAL (U.S.A.) INC.</p> <p>This drawing and the information contained herein are CONFIDENTIAL and PROPRIETARY to Sanden International (U.S.A.), Inc. and related to CONFIDENTIAL and shall not be used, copied, or disclosed to others without the written permission of Sanden International (U.S.A.), Inc.</p> <p>INTERPRETATION OF THIS DRAWING PER ASME Y14.5M-1994</p> <p>THIRD ANGLE PROJECTION</p> <p>COMPRESSOR</p> <p>DWG. NO. 4309-6000</p>										

16 15 14 13 12 11 10 9 8 7 6 5 4 3 2 1