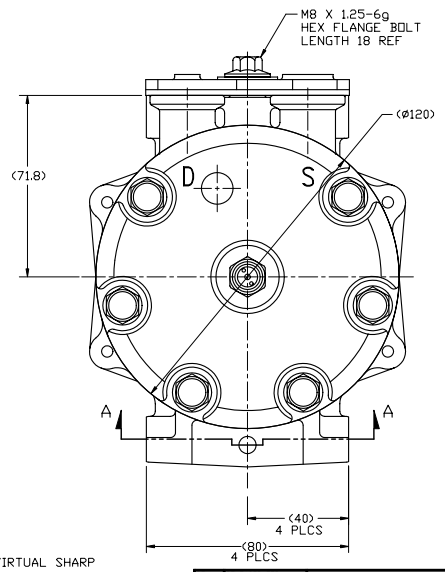
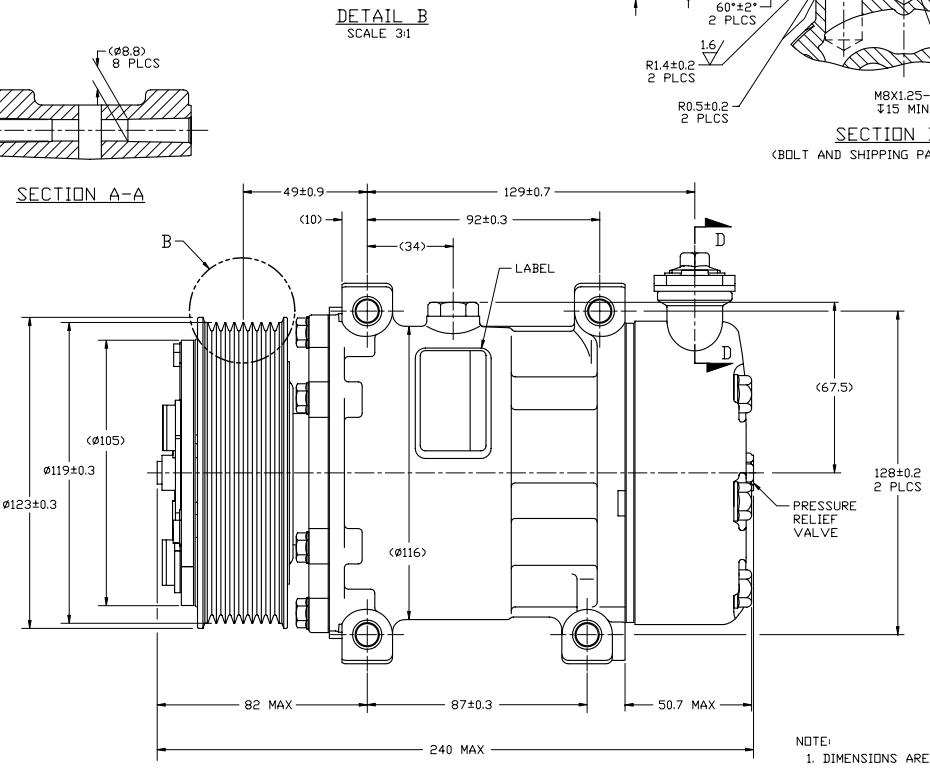
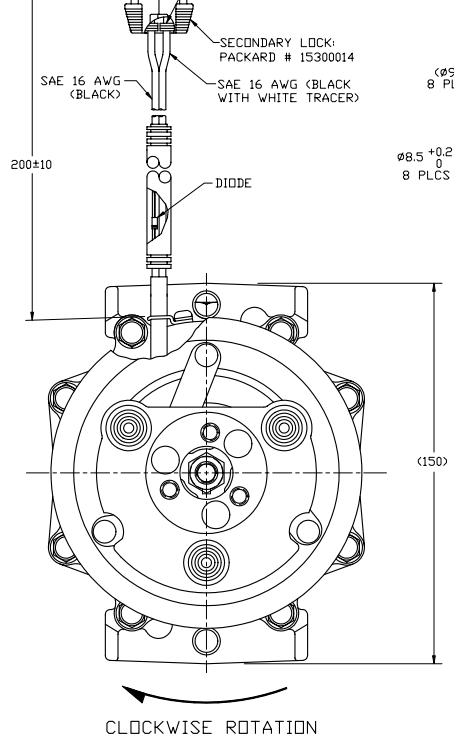
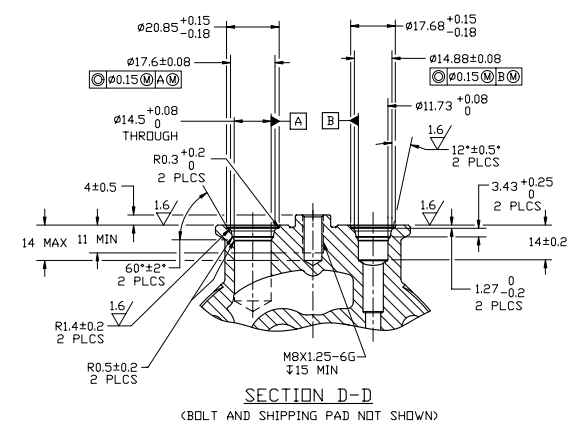
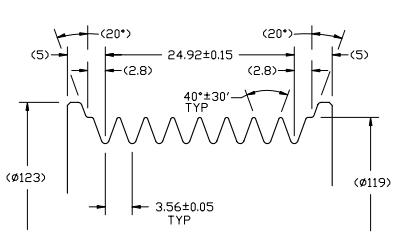
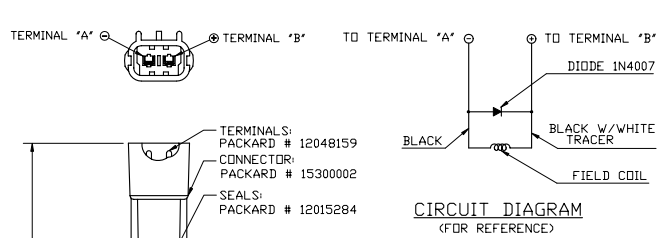


PKCN	REV.	APPV. DATE	REVISIONS	DWN	ESGN	CHK	APPV.
			INITIAL ISSUE				



NOTE:
1. DIMENSIONS ARE TO VIRTUAL SHARP CORNERS UNLESS OTHERWISE SPECIFIED.
2. COMPRESSOR TO BE CHARGED WITH NITROGEN PRIOR TO SHIPPING WITHIN 0.2 TO 1.6 kg/cm².

COMPRESSOR SPECIFICATIONS

DISPLACEMENT PER REVOLUTION	15.49 cc / rev. (9.5cuin. / rev.)
MAXIMUM ALLOWABLE R.P.M.	8000 R.P.M.
MAXIMUM ALLOWABLE CONTINUOUS R.P.M.	6000 R.P.M.
REFRIGERANT	R134a
ØIL (SP-15)	300 ± 10 cc
WEIGHT	TBD
PRV OPENING PRESSURE RANGE	500 - 600 PSIG (35.2 - 42.2 kg/cm ²)

CLUTCH SPECIFICATIONS

RATED VOLTAGE	DC 12V
BREAKAWAY TORQUE	3.5 kgf-m min. @ 12V
MINIMUM ENGAGEMENT VOLTAGE	7.5V @ AIR GAP 0.6mm REF
POWER CONSUMPTION	49 watts max.
BELT TYPE	PVB TYPE
MAXIMUM ALLOWABLE BELT TENSION	120 kgf
PULLEY DIAMETER	Ø119 mm (4.68 in.)
CLUTCH TYPE	HEAVY DUTY

SPECIAL CHARACTERISTICS	
■ DR (C)	NON-SAFETY/REGULATORY SPECIAL CHARACTERISTICS WHERE VERIFICATION IS REQUIRED, BUT ONGOING PROCESS CONTROL IS NOT REQUIRED
◇ DR (R)	NON-SAFETY/REGULATORY SPECIAL CHARACTERISTICS WHICH DEMAND MANDATORY PROCESS CONTROL FOR VERIFICATION
▼ DR (S)	SAFETY/EMISSIONS/NOISE/THEFT PROTECTION

RELEASED FOR PRODUCTION	DATE	10/27/04	BY	S. Williams
DESIGN VALIDATION	DATE	11/3/04	BY	S. Williams
RELEASED FOR PRODUCTION	DATE	11/3/04	BY	S. Williams
RELEASED FOR PRODUCTION	DATE	11/3/04	BY	S. Williams
RELEASED FOR PRODUCTION	DATE	11/3/04	BY	S. Williams
RELEASED FOR PRODUCTION	DATE	11/3/04	BY	S. Williams

SANDEN
SANDEN INTERNATIONAL (U.S.A.), INC.

SCALE REF 1:1 METRIC

This drawing and the information contained herein are CONFIDENTIAL and PROPRIETARY to Sanden International (U.S.A.), Inc. and are to be used only for the purpose intended. No part of this drawing is to be reproduced or transmitted in any form or by any means, electronic, mechanical, photocopying, recording, or by any information storage and retrieval system, without the written permission of Sanden International (U.S.A.), Inc.

INTERPRETATION OF THIS DRAWING PER ASME Y14.5M-1994

THIRD ANGLE PROJECTION

MATERIAL:

NAME: COMPRESSOR

DWG. NO.: 4322-6000

REV. A

DO NOT SCALE