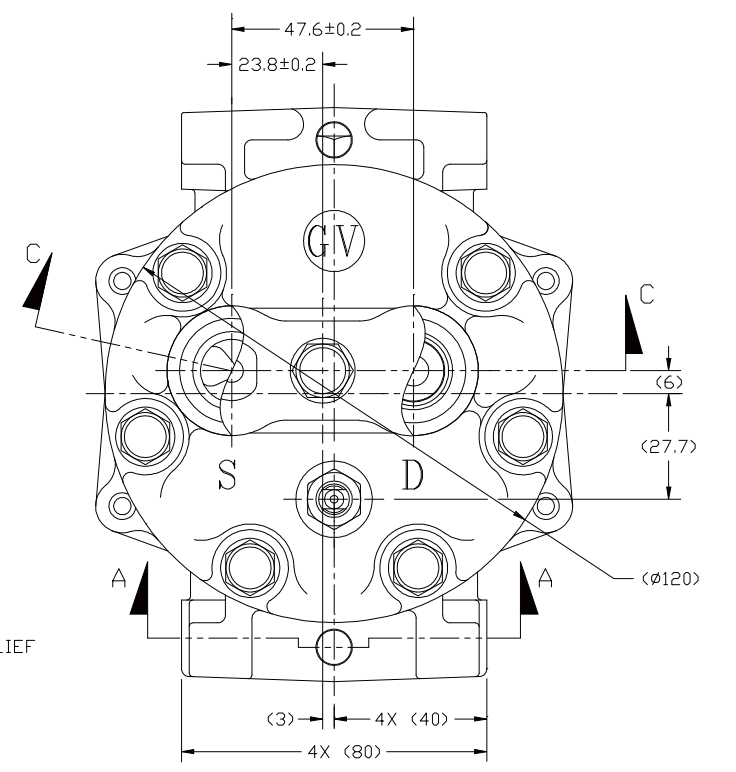
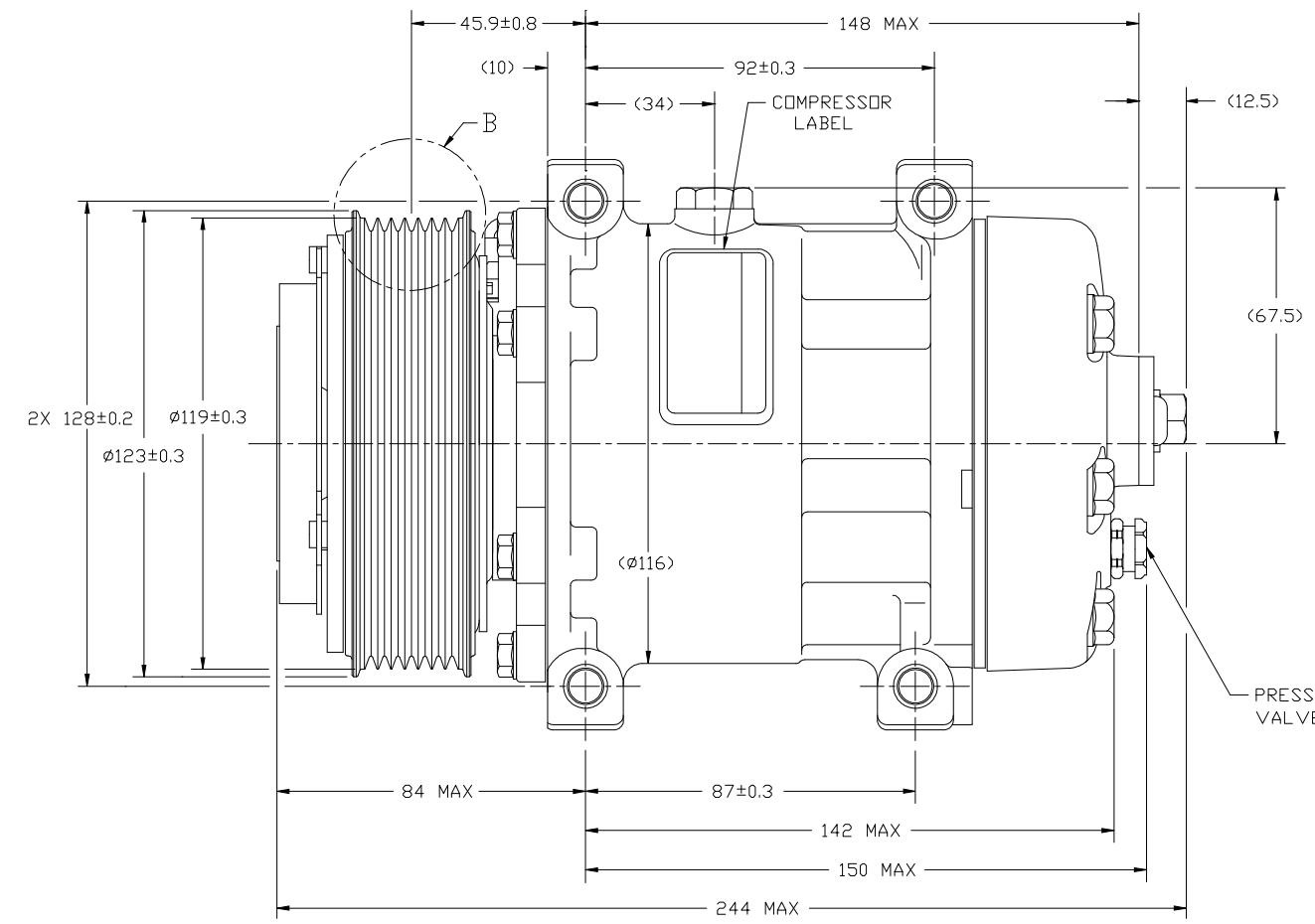
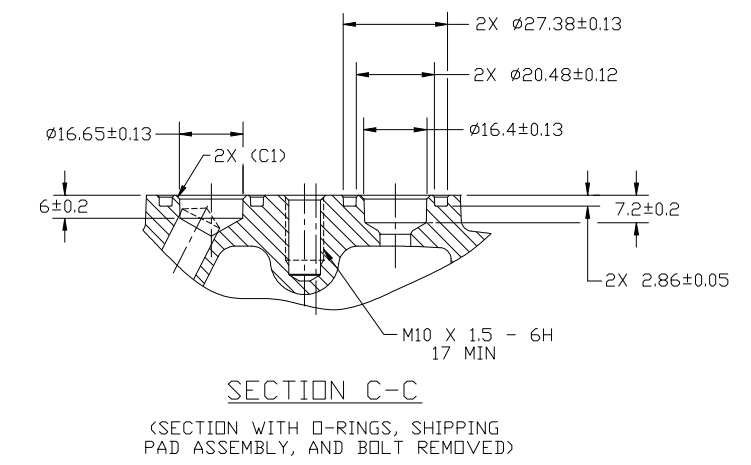
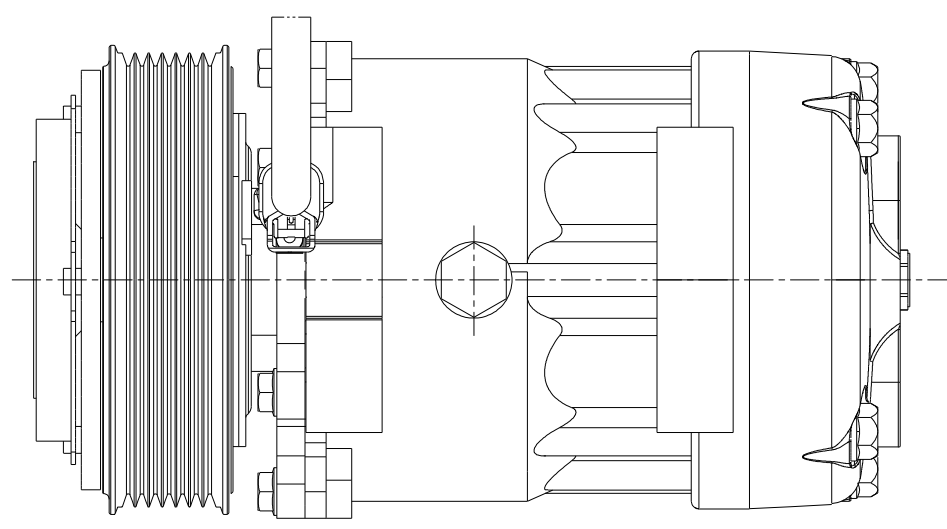
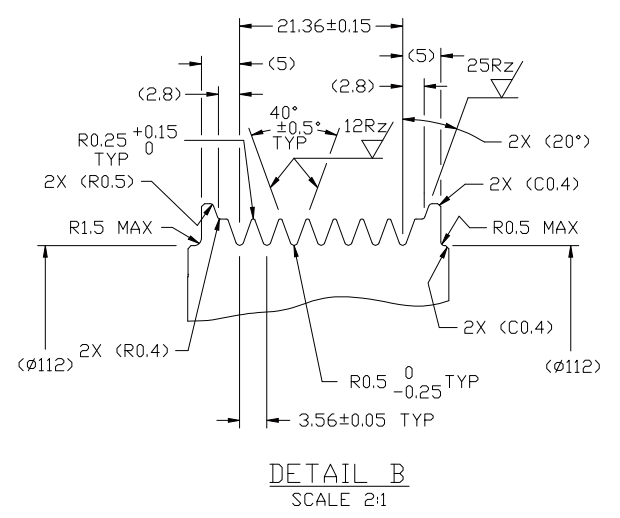
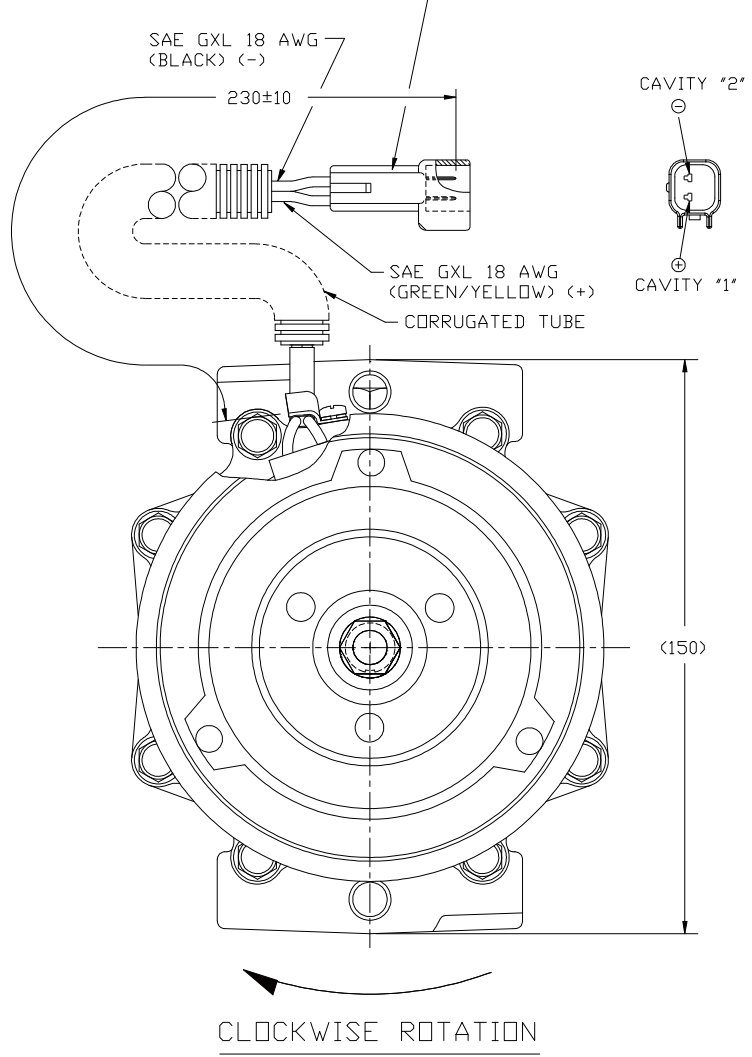
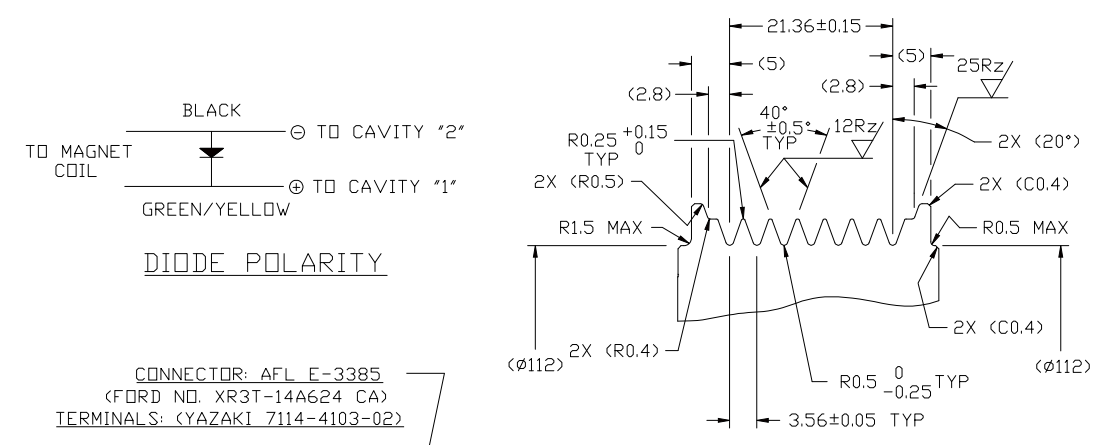


PDCN	REV.	APPV DATE	REVISIONS	DWN	DSGN	CHK	APPV
	△		INITIAL RELEASE				

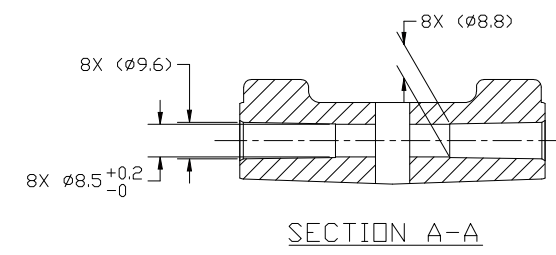


COMPRESSOR SPECIFICATIONS (REF)

DISPLACEMENT PER REVOLUTION	154.9 cc / rev. (9.5cu.in. / rev.)
MAXIMUM ALLOWABLE R.P.M.	8000 R.P.M.
MAXIMUM ALLOWABLE CONTINUOUS R.P.M.	6000 R.P.M.
REFRIGERANT	R134a
OIL (SP-15)	135 cc (4.56 fl.oz.)
COMPRESSOR WEIGHT	7.14 kg (15.73 lb.)

CLUTCH SPECIFICATIONS (REF)

RATED VOLTAGE	DC 12V
BREAKAWAY TORQUE	3.5 kgf-m min. @ 12V
MINIMUM ENGAGEMENT VOLTAGE	7.5V @ AIR GAP 0.6mm
POWER CONSUMPTION	42 watts max.
BELT TYPE	PV7 TYPE
MAXIMUM ALLOWABLE BELT TENSION	120 kgf
PULLEY DIAMETER	Ø119 mm (4.68 in.)
CLUTCH TYPE	HEAVY DUTY



REV. LEVEL	RELEASED FOR: ENGR DEVELOPMENT	SANDEN SANDEN INTERNATIONAL (U.S.A.), INC.	DRAWN SCALE REF 1:1 PLOTTED SCALE REF 1:1 METRIC
DSGN	Dennis Lu 10/14/10		
DWN	Dennis Lu 10/14/10	This drawing and the information contained hereon are CONFIDENTIAL and PROPRIETARY to Sanden International (U.S.A.), Inc., and shall not be used, copied, or disclosed to others without the written permission of Sanden International (U.S.A.), Inc.	INTERPRETATION OF THIS DRAWING PER ASME Y14.5M-1994
CHK	Shigeo Nagano		
APPV	Nolan Farnah	THIRD ANGLE PROJECTION	SIZE D
DATE	11-2-10		
REV. LEVEL	RELEASED FOR: DESIGN VALIDATION	MATERIAL:	NAME
DSGN	Dennis Lu 11/2/10		
APPV	Nolan Farnah	COMPRESSOR	REV A
DATE	11-2-10		
REV. LEVEL	RELEASED FOR: PRODUCTION VAL'D.	DVG. NO.	REV
DSGN	Dennis Lu 11/2/10		
APPV	Nolan Farnah	4399U-6000	A
DATE	11-2-10		

DO NOT SCALE