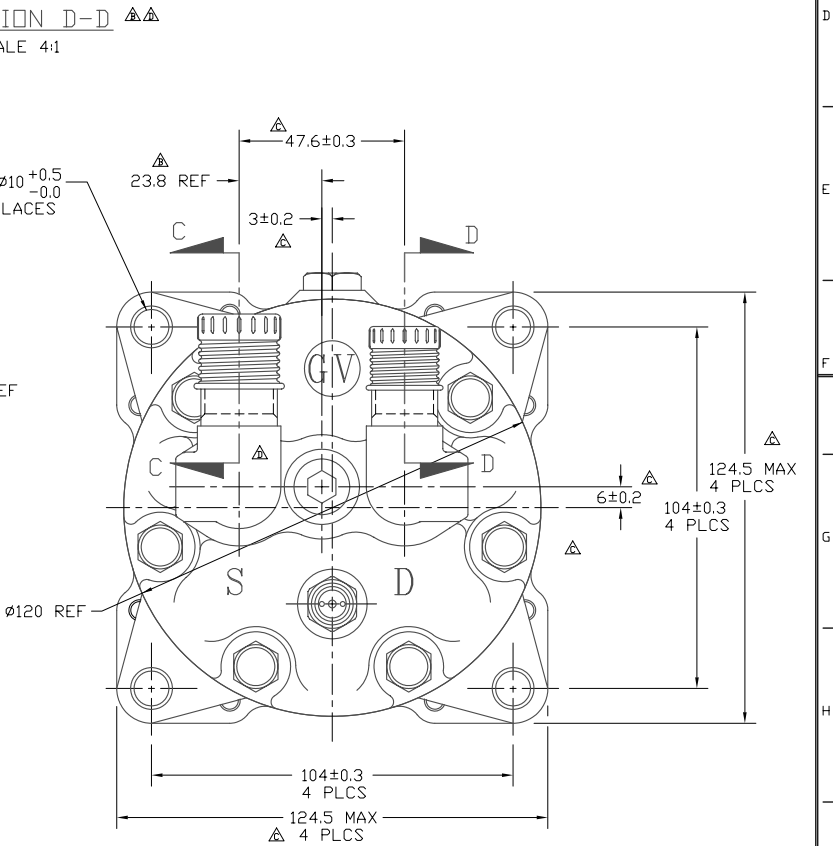
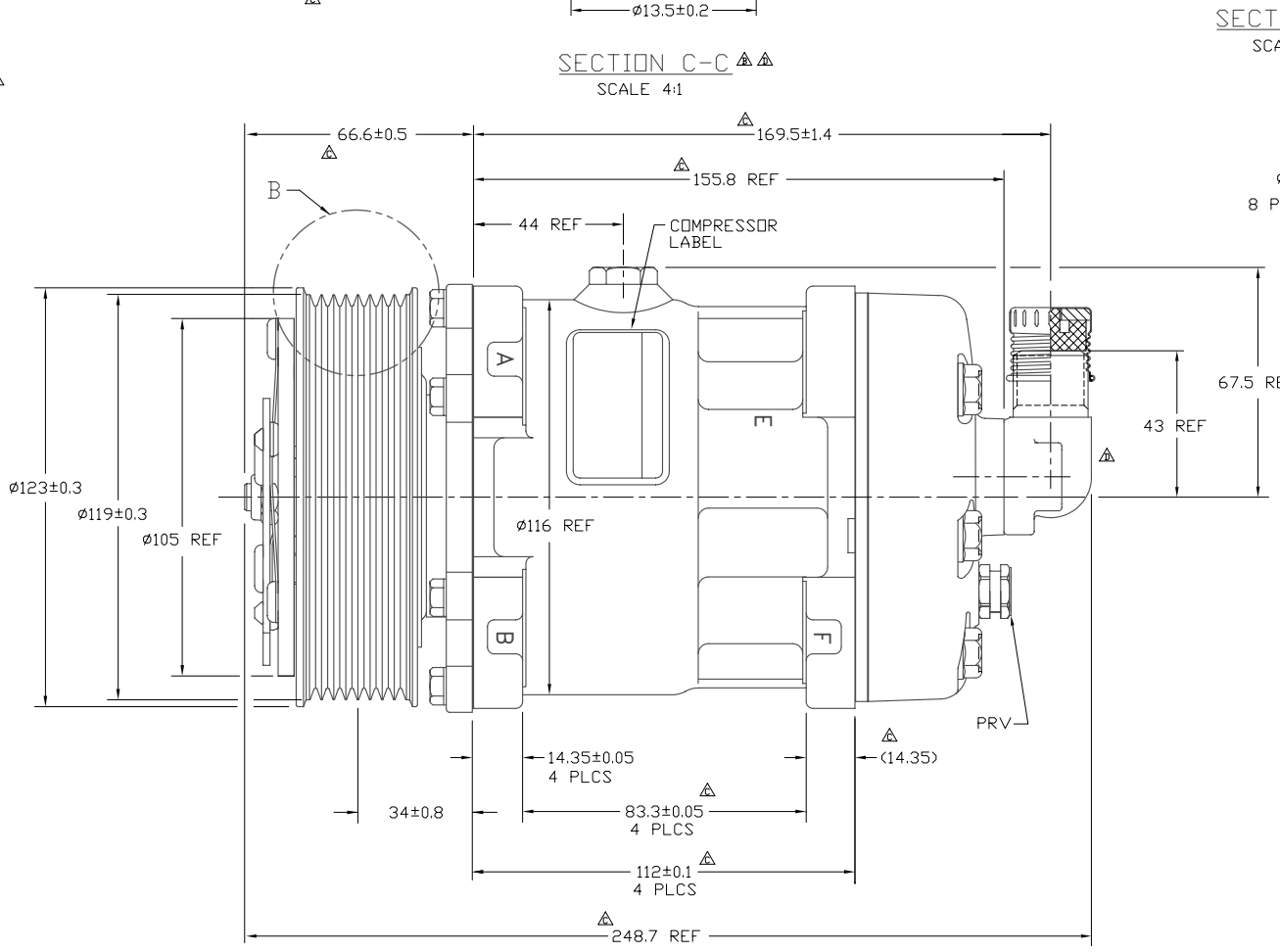
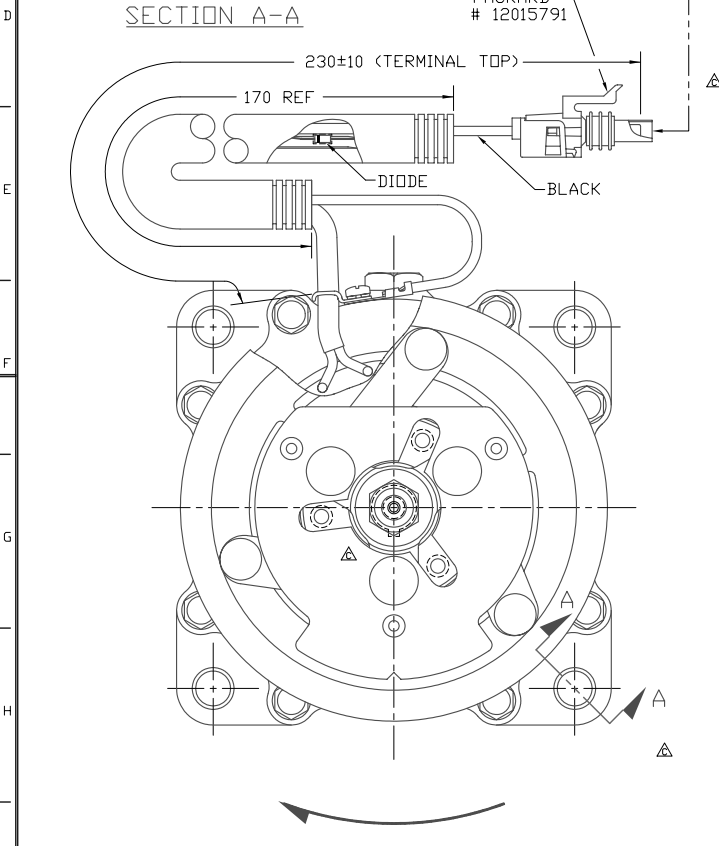


| PCDN | REV | APPV | DATE | REVISIONS | DWN | DSGN | CHK | APPV | | | |
|----------|-----|------|----------|--|-----|------|-----|------|----|----|----|
| | | | | INITIAL ISSUE | | | | | | | |
| 2004011C | | | 02/16/04 | 23.8 REF WAS 23.8±0.2 UPDATED SECTION C-C AND SECTION D-D | JSR | JK | DRZ | NB | | | |
| 2004043d | | | 03/25/04 | SECTION C-C REMOVED 30° REF REMOVED 30° REF ADDED SHAFT KEY 124.5 MAX WAS 124.5 MAX; 124.5 MAX WAS 124.6 MAX; 169.5±1.4 WAS 169.4±1.5; 66.6±0.5 WAS 65.6 REF; 248.7 REF WAS 248.1 REF REMOVED: "TERMINAL PACKARD #12124580" REMOVED NOTE #10 ±0.5 REMOVED 8 PLACES WEIGHT: 7.5kg (16.7lb) WAS 7.9kg (17.5lb) "CONNECTORS ENGAGED" WAS "CONNECTORS ENGAGED" (4866-0400) 2302 WAS 3 REF; 6302 WAS 6 REF 476±0.3 WAS 476±0.2; 27.7±0.2 WAS 27.7 REF REMOVED NOTE ADDED 155.8 REF (14.35) WAS 14.35 REF; 4 PLCS UPDATED CIRCUIT DIAGRAM 83.3±0.05; 4 PLCS WAS 83.3±0.1 112±0.1; 4 PLCS WAS 112±0.1 #120 REF; 8 PLCS WAS #120 REF 13.5 REF; 8 PLCS WAS 13.5 REF | JSR | JK | JK | JK | JK | JK | JK |
| 2005095 | | | 1/26/06 | ADAPTER 4866-6340 REV. B WAS ADAPTER 4866-1340 REV. D | JS | JB | DRL | NB | | | |



COMPRESSOR SPECIFICATIONS

| | |
|------------------------------------|------------------------------------|
| DISPLACEMENT PER REVOLUTION | 154.9 cc/rev. (9.5 cu. in./rev.) |
| MAXIMUM ALLOWABLE SPEED | 7000 R.P.M. |
| MAXIMUM ALLOWABLE CONTINUOUS SPEED | 6000 R.P.M. |
| REFRIGERANT | R134a |
| OIL (SP-15) | 200 cc (6.76 fl.oz.) |
| WEIGHT | 7.6 kg (16.7 lb.) |

CLUTCH SPECIFICATIONS

| | |
|--------------------------------|--------------------------|
| RATED VOLTAGE | DC 12V |
| BREAKAWAY TORQUE | 3.5 kgf-m MIN. @ 12V REF |
| MINIMUM ENGAGEMENT VOLTAGE | 7.5V @ AIR GAP 0.6mm REF |
| POWER CONSUMPTION | 49 Watts MAX. |
| BELT TYPE | PV8 TYPE |
| MAXIMUM ALLOWABLE BELT TENSION | 120 kgf |
| PULLEY DIAMETER | Ø119 mm (4.69 in.) |
| CLUTCH TYPE | STANDARD |

DO NOT SCALE

| | | | | | | | | | |
|------------|--------------------------------|--------|-----------------|------|---------------|------|----------|--|---|
| REV. LEVEL | RELEASED FOR PRODUCTION | DESIGN | Mark Harrington | DWN | R. Rodriguez | DATE | 12/19/03 | <p>SANDEN INTERNATIONAL (U.S.A.), Inc.</p> | <p>DRWN SCALE REF 1:1 PLOTTED SCALE REF 1:1 METRIC</p> <p>This drawing and the information contained hereon are CONFIDENTIAL and PROPRIETARY to Sanden International (U.S.A.), Inc. and shall not be used, copied, or disclosed to others without the written permission of Sanden International (U.S.A.), Inc.</p> |
| APPV | Dennis Lee | DATE | 12/19/03 | | | | | | |
| REV. LEVEL | RELEASED FOR DESIGN VALIDATION | DESIGN | Matt Dworacznyk | APPV | K.S. HF NB RG | DATE | 06/23/04 | <p>INTERPRETATION OF THIS DRAWING PER ASME Y14.5M-1994</p> | <p>THIRD ANGLE PROJECTION</p> |
| APPV | K.S. HF NB RG | DATE | 06/23/04 | | | | | | |
| REV. LEVEL | RELEASED FOR PRODUCTION | DESIGN | Matt Dworacznyk | APPV | K.S. HF NB RG | DATE | 06/23/04 | <p>MATERIAL:</p> | <p>NAME</p> |
| APPV | K.S. HF NB RG | DATE | 06/23/04 | | | | | | |
| REV. LEVEL | RELEASED FOR PRODUCTION | DESIGN | Matt Dworacznyk | APPV | K.S. HF NB RG | DATE | 06/23/04 | <p>COMPRESSOR</p> | <p>SIZE</p> |
| APPV | K.S. HF NB RG | DATE | 06/23/04 | | | | | | |
| REV. LEVEL | RELEASED FOR PRODUCTION | DESIGN | Matt Dworacznyk | APPV | K.S. HF NB RG | DATE | 06/23/04 | <p>DWG. NO.</p> | <p>REV</p> |
| APPV | K.S. HF NB RG | DATE | 06/23/04 | | | | | | |

COMPRESSOR

4460-6000

REV D