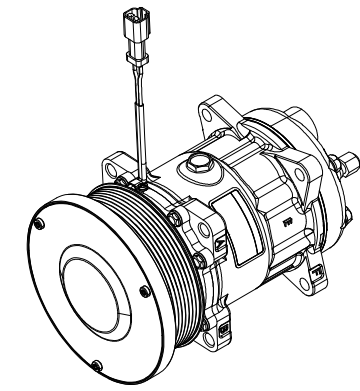
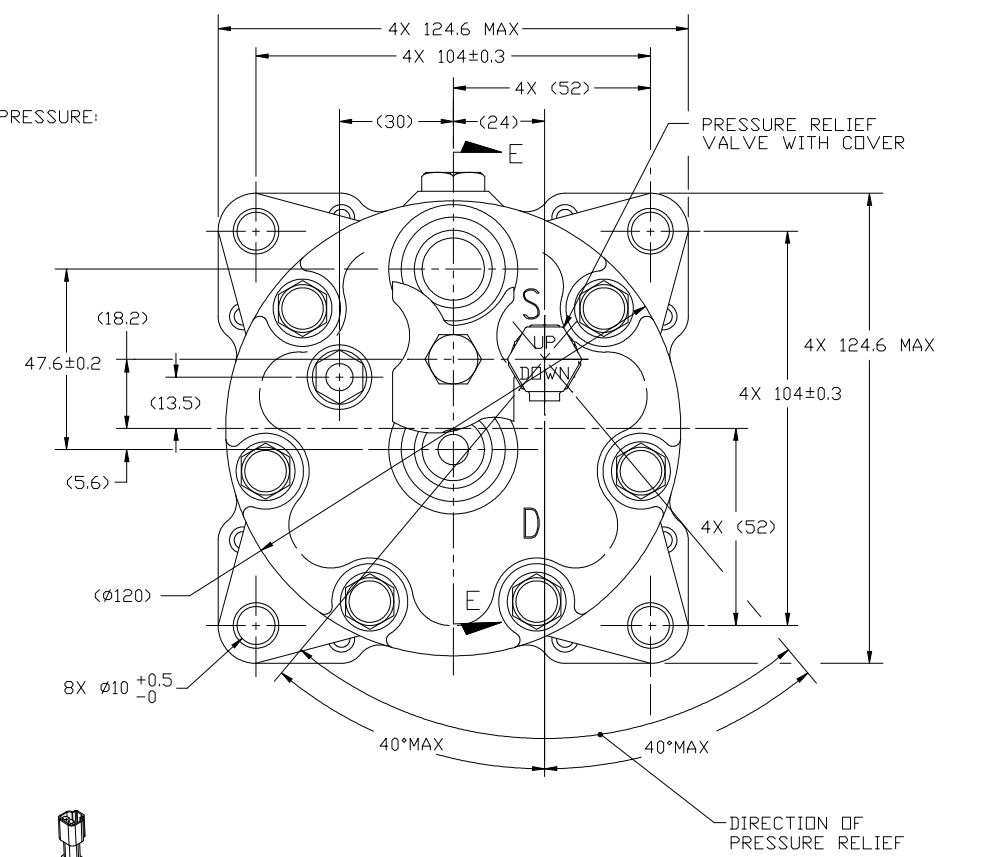
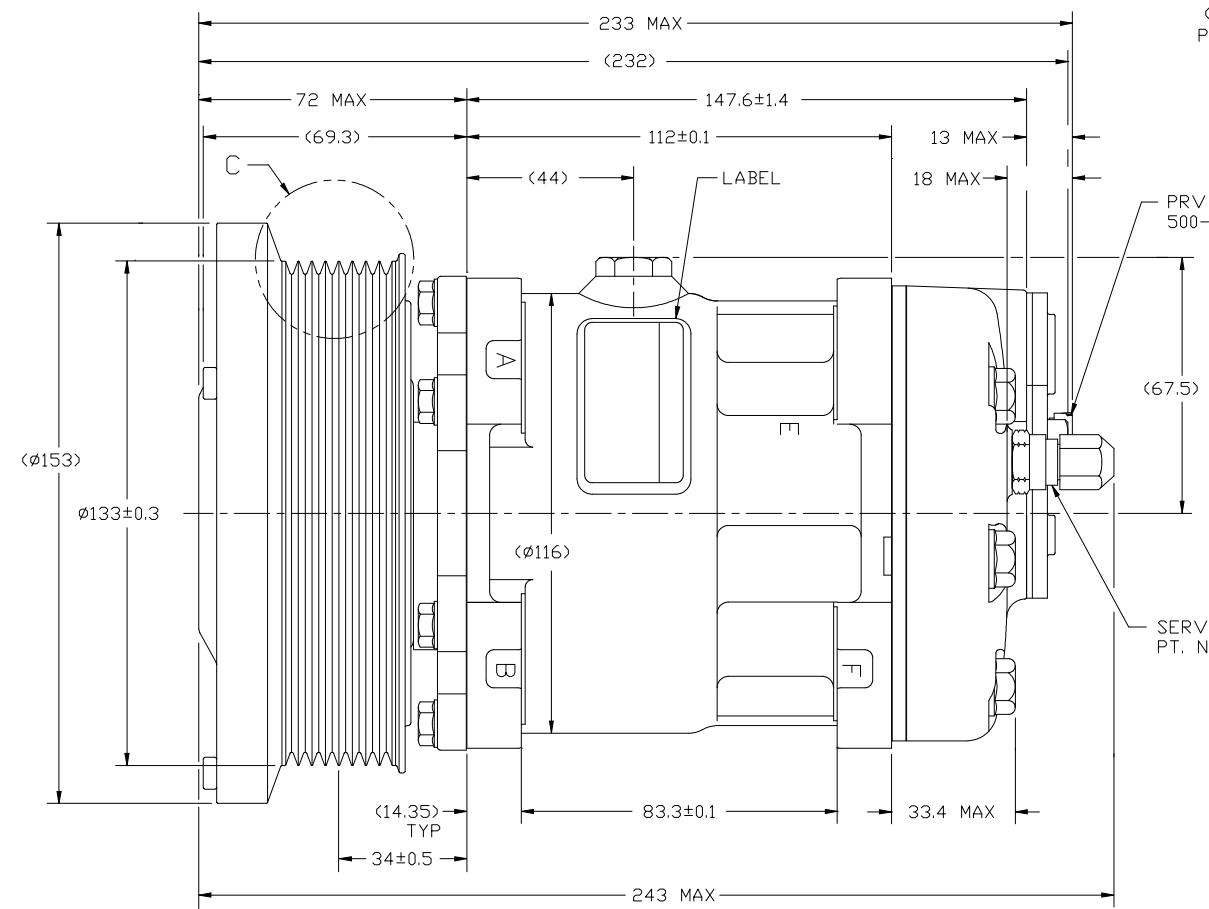
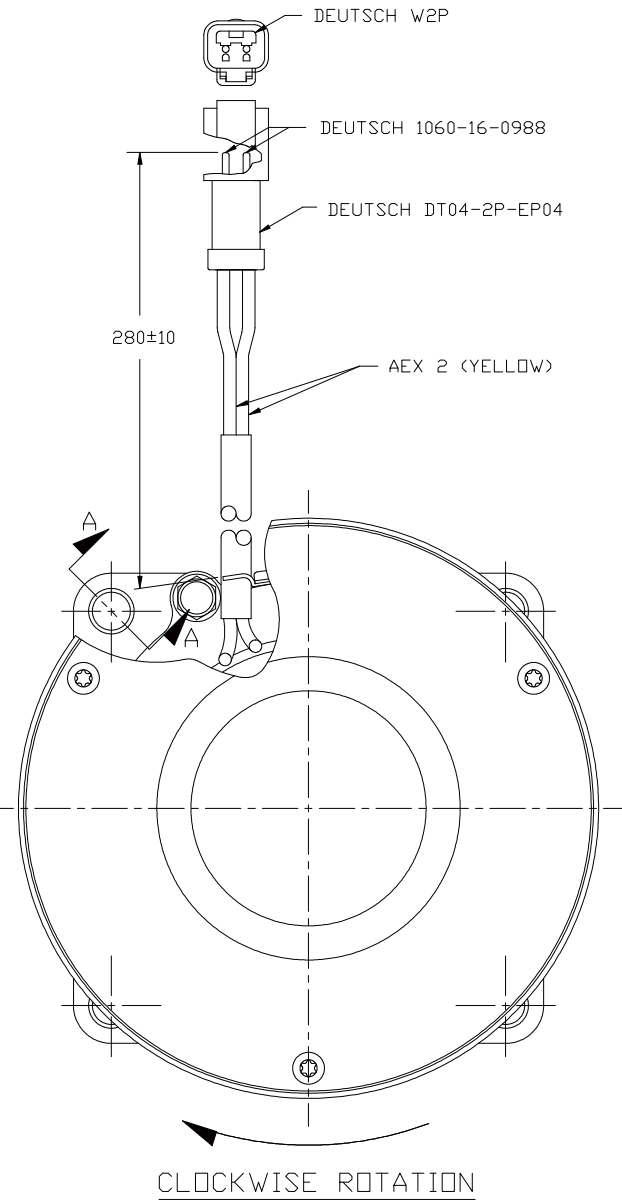
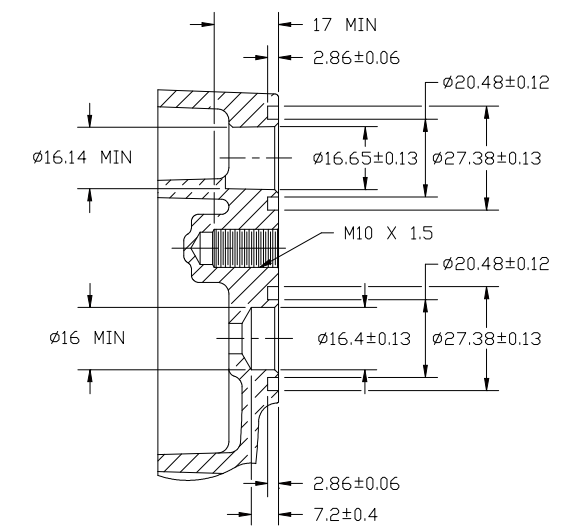
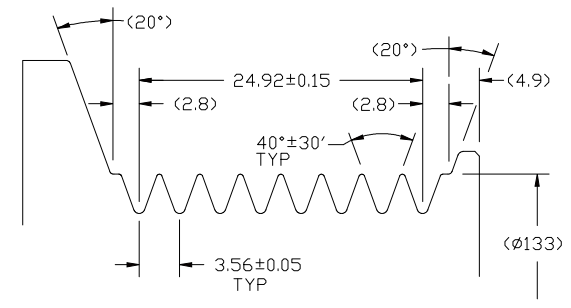
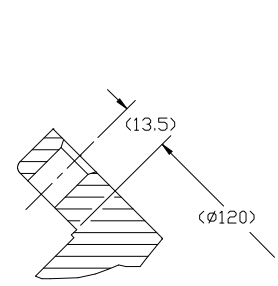
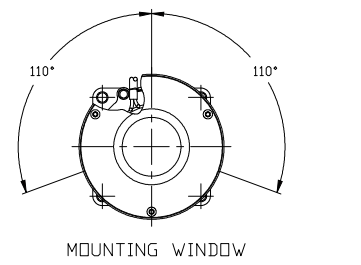


PDCN	REV	APPV DATE	REVISIONS	DWN	DSGN	CHK	APPV
			INITIAL RELEASE				



COMPRESSOR SPECIFICATIONS (REF)

DISPLACEMENT PER REVOLUTION	154.9 cc / rev. (9.5cu.in. / rev.)
MAXIMUM ALLOWABLE R.P.M.	4000 R.P.M.
MAXIMUM ALLOWABLE CONTINUOUS R.P.M.	4000 R.P.M.
REFRIGERANT	R134a
OIL (SP-15)	300 cc (10.1 floz.)
WEIGHT	9.0 kg (19.7 lb.)
CUSTOMER PART NUMBER	TBD

CLUTCH SPECIFICATIONS (REF)

RATED VOLTAGE	DC 12V
BREAKAWAY TORQUE	3.5 kgf-m min. @ 12V
MINIMUM ENGAGEMENT VOLTAGE	7.5V @ AIR GAP 0.6mm
POWER CONSUMPTION	42 watts max.
BELT TYPE	PV8 TYPE
MAXIMUM ALLOWABLE BELT TENSION	120 kgf
PULLEY DIAMETER	Ø133mm (5.2 in.)
CLUTCH TYPE	SEALED HEAVY DUTY

PRV OPERATING PRESSURE:
500-600 PSIG

SERVICE VALVE
PT. NO. 4604-0590

REV. LEVEL	RELEASED FOR: ENG'G DEVELOPMENT	<p>SANDEN INTERNATIONAL (U.S.A.), INC.</p>	<p>1:1 PLOTTED SCALE REF 1:1 METRIC</p>
DSGN	Dennis Lee 8/4/10		
DWN	Dennis Lee 8/4/10	<p>INTERPRETATION OF THIS DRAWING PER ASME Y14.5M-1994</p>	<p>THIRD ANGLE PROJECTION</p>
CHK	J. Sokolowski		
APPV.	Hoden Farah	<p>SIZE D</p>	<p>NAME</p>
DATE	8-5-10		
REV. LEVEL	RELEASED FOR: DESIGN VALIDATION	<p>MATERIAL:</p>	<p>COMPRESSOR</p>
DSGN	Dennis Lee 8/5/10		
DWN	Dennis Lee 8/5/10	<p>NAME</p>	<p>COMPRESSOR</p>
CHK	J. Sokolowski		
APPV.	Hoden Farah	<p>DWG. NO.</p>	<p>REV</p>
DATE	8-5-10		
REV. LEVEL	RELEASED FOR: PRODUCTION	<p>DWG. NO.</p>	<p>REV</p>
DSGN	Dennis Lee 10/28/10		
DWN	Dennis Lee 10/28/10	<p>4595-6000</p>	<p>A</p>
CHK	J. Sokolowski		
APPV.	Hoden Farah		
DATE	10-29-10		

DO NOT SCALE