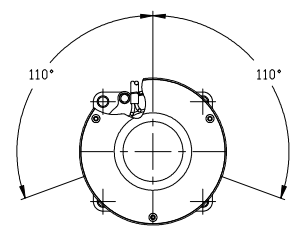
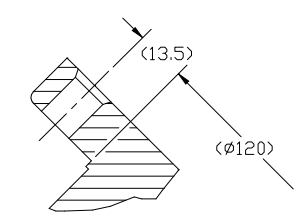


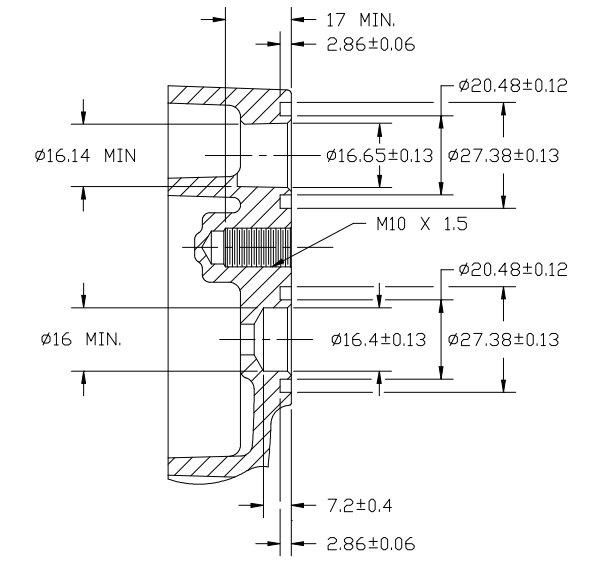
REV.	DATE	REVISIONS	DWN	DSGN	CHK	APPV
1		INITIAL RELEASE				



MOUNTING WINDOW

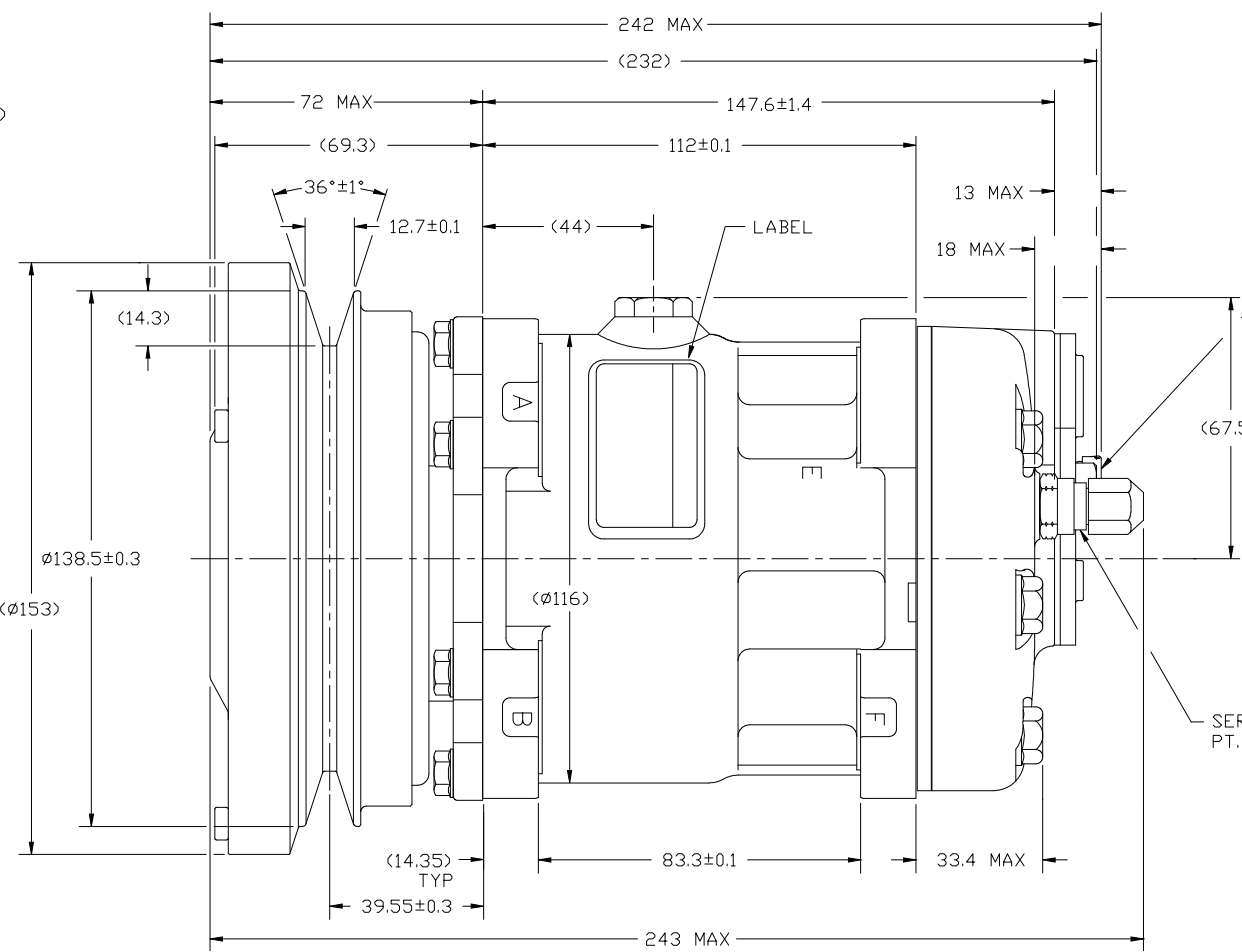
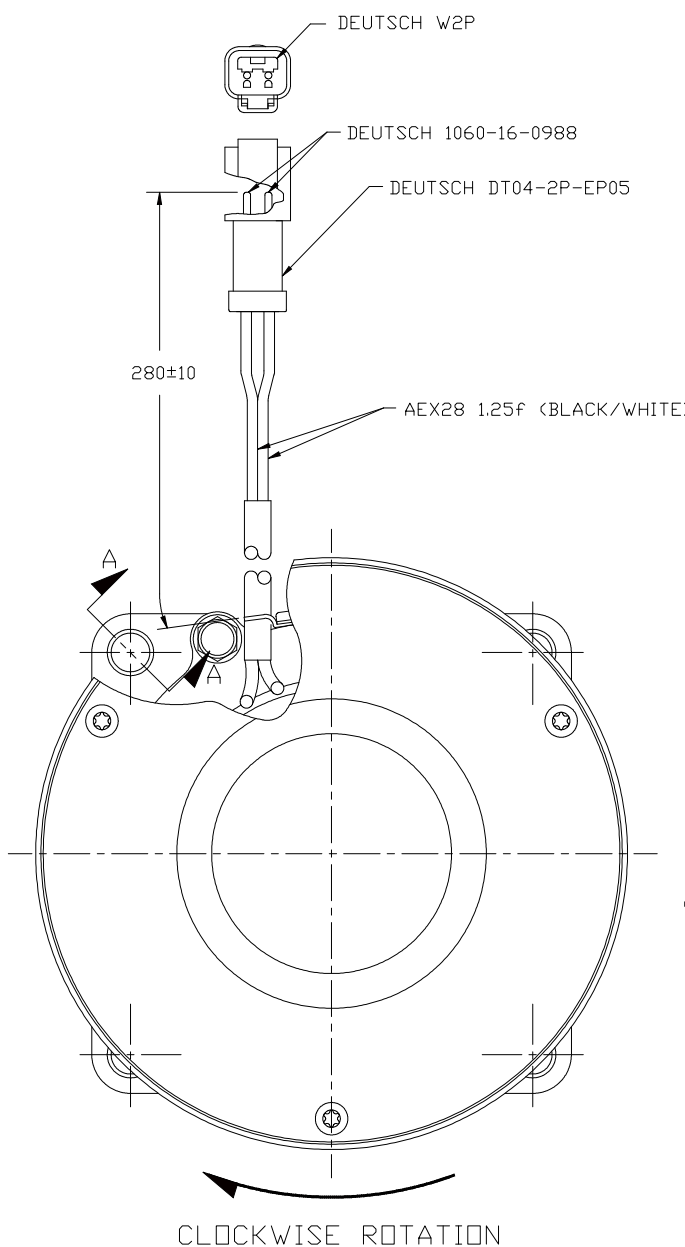


SECTION A-A



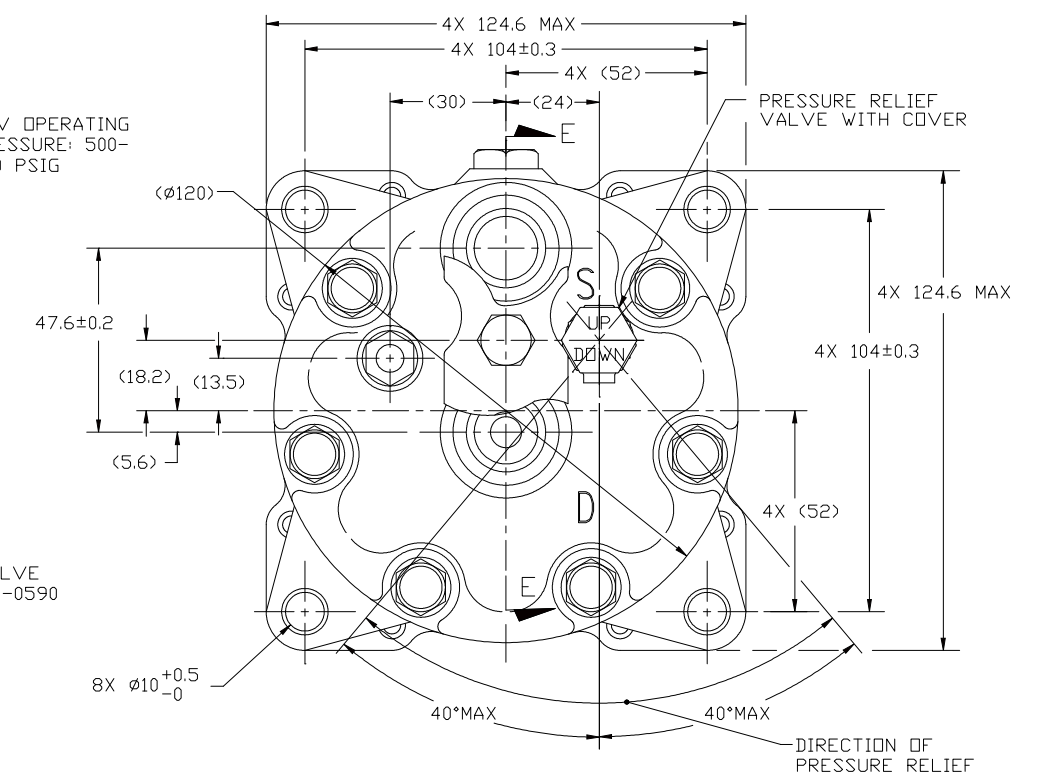
SECTION E-E

(SECTION WITH O-RINGS, SHIPPING PAD ASSEMBLY, AND BOLT REMOVED)



PRV OPERATING PRESSURE: 500-600 PSIG

SERVICE VALVE PT. NO. 4604-0590

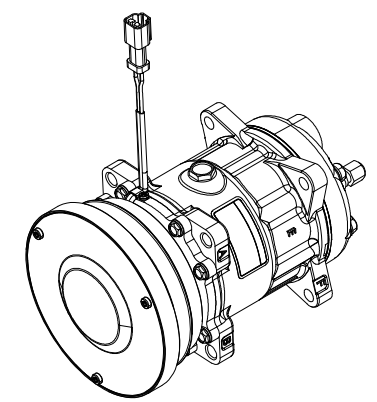


COMPRESSOR SPECIFICATIONS (REF)

DISPLACEMENT PER REVOLUTION	154.9 cc / rev. (9.5cu.in. / rev.)
MAXIMUM ALLOWABLE R.P.M.	4000 R.P.M.
MAXIMUM ALLOWABLE CONTINUOUS R.P.M.	4000 R.P.M.
REFRIGERANT	R134a
OIL (SP-15)	300 cc (10.1 fl.oz.)
WEIGHT	7.4 kg (16.4 lb.)
CUSTOMER PART NUMBER	TBD

CLUTCH SPECIFICATIONS (REF)

RATED VOLTAGE	DC 12V
BREAKAWAY TORQUE	3.5 kgf-m min. @ 12V
MINIMUM ENGAGEMENT VOLTAGE	7.5V @ AIR GAP 0.6mm
POWER CONSUMPTION	43 watts max.
BELT TYPE	A TYPE
MAXIMUM ALLOWABLE BELT TENSION	60 kgf
PULLEY DIAMETER	Ø138.5mm (5.453 in.)
CLUTCH TYPE	SEALED HEAVY DUTY



DO NOT SCALE

REV. LEVEL	RELEASED FOR DESIGN DEVELOPMENT	<p>SANDEN INTERNATIONAL (U.S.A.), INC.</p>	SCALE REF	1:1	PLOTTED SCALE REF	1:1	METRIC	
A	DENNIS LEE 8/4/10		DRAWN	J. Sokolowski	APPROVED	Hoden Farah	<p>This drawing and the information contained hereon are CONFIDENTIAL and PROPRIETARY to Sanden International (U.S.A.), Inc. and shall not be used, copied, or disclosed to others without the written permission of Sanden International (U.S.A.), Inc.</p>	
REV. LEVEL	RELEASED FOR DESIGN VALIDATION	INTERPRETATION OF THIS DRAWING PER	ASME Y14.5M-1994					
A	DENNIS LEE 8/5/10	THIRD ANGLE PROJECTION	SIZE D					
REV. LEVEL	RELEASED FOR PRODUCTION VAL'D.	MATERIAL:						
A	DENNIS LEE 8/5/10	NAME	COMPRESSOR					
REV. LEVEL	RELEASED FOR PRODUCTION	DWG. NO.	4596-6000				REV	A
A	DENNIS LEE 10/28/10	DATE	10-29-10					