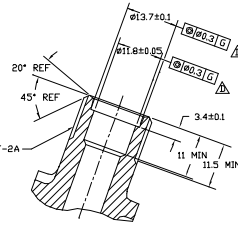
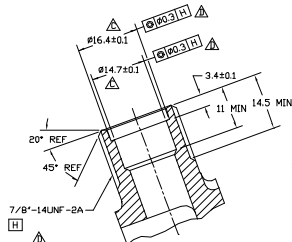
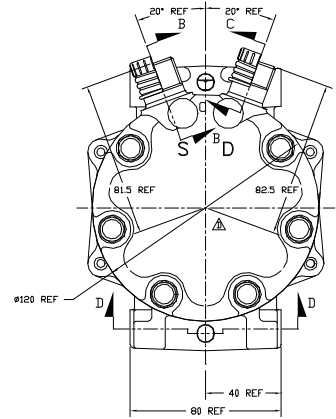
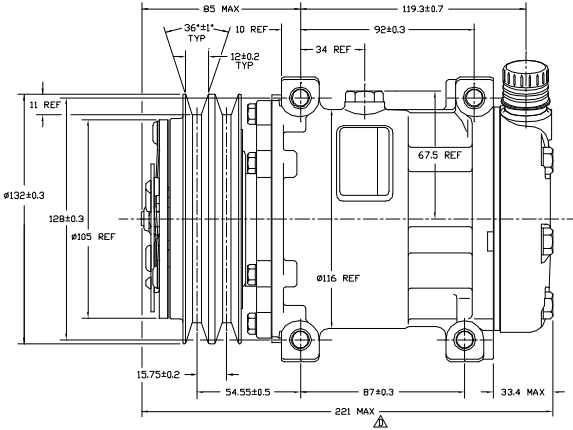
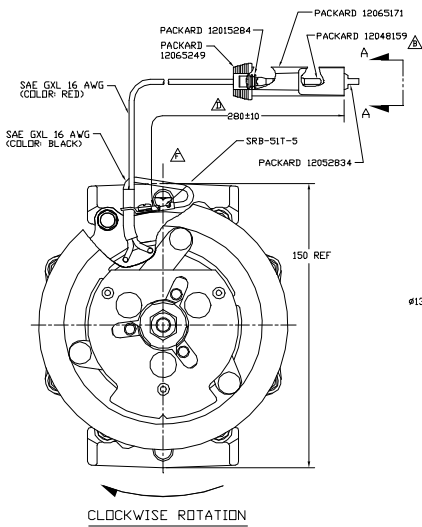
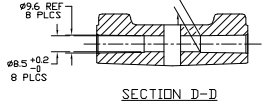


PNL NO.	REV.	DATE	REVISIONS	DESIGN	CHK	APPV
93-073	△	3/15/93	DELETED PT. NO. 880007 FROM LABEL	PW	DSL	EMA
94-0	△	5/9/94	CHANGED THERMAL PUL VOLT SPECIFICATIONS	RH	RH	EMA
94-27	△	6/25/94	442743 WAS 4464848.	RH	JLN	JLN
96-14	△	1/25/96	ADDED CONCENTRICITY SPEC APPLIED TO CURRENT STAMPER	RH	SS	EMA
96-14	△	4/2/96	ADDED BELT ADDED PROTECTIVE TUBE LENGTH CHANGED TO THREE FIELDS COL. ADDED VIEW A	RH	EMA	DSL
97-87	△			RH	EMA	DSL



NOTE:
1. G AND H ARE THE OUTSIDE DIAMETERS OF 3/4"-16UNF-2A AND 7/8"-14UNF-2A, RESPECTIVELY.



COMPRESSOR SPECIFICATIONS

DISPLACEMENT PER REVOLUTION	154.9 cc / rev. (9.5cuin. / rev.)
MAXIMUM ALLOWABLE R.P.M.	9000 R.P.M.
MAXIMUM ALLOWABLE CONTINUOUS R.P.M.	6000 R.P.M.
REFRIGERANT	R134a
OIL (SP-20)	300 cc (10.1 Floz)
WEIGHT	7.4 kg (16.4 lb.)

CLUTCH SPECIFICATIONS

RATED VOLTAGE	DC 12V
BREAKAWAY TORQUE	3.5 kgf-m min. @ 12V
MINIMUM ENGAGEMENT VOLTAGE	7.5V @ AIR GAP 0.6mm REF
POWER CONSUMPTION	49 watts max.
BELT TYPE	A TYPE
MAXIMUM ALLOWABLE BELT TENSION	60 kgf PER BELT
PULLEY DIAMETER	81.52 mm (3.2 in.)
CLUTCH TYPE	HEAVY DUTY

This drawing and the information contained herein are CONFIDENTIAL and PROPRIETARY to Sanden International (U.S.A.), Inc. and shall not be disclosed or used in any way without the written permission of Sanden International (U.S.A.), Inc.

NUMERIC REVISION LEVELS INDICATE PRELIMINARY DRAWING. "1" = INITIAL ISSUE
ALPHA NUMERIC REVISION LEVELS INDICATE APPROVED DRAWING. "A" = FINAL ISSUE

SANDEN
SAN DEN INTERNATIONAL, U.S.A., INC.

REV. NO.	REV. DATE	DO NOT SCALE	METRIC
REV. DATE	REV. DATE	MODEL	SD7H15JD4626
REV. DATE	REV. DATE	NAME	COMPRESSOR
REV. DATE	REV. DATE	DWG. NO.	4626-6000
REV. DATE	REV. DATE	REV. DATE	