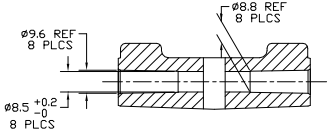
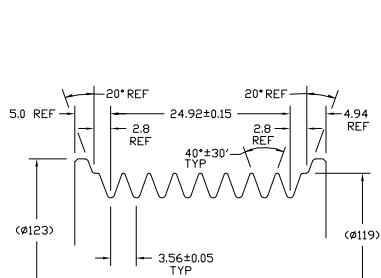


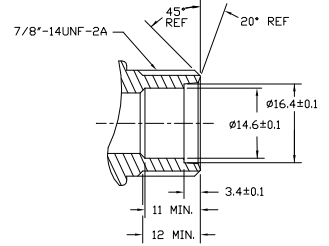
PCN	REV	APPV DATE	REVISIONS	DWN	ISSN	CHK	APPV
90000	A	-	ADDED PROPRIETARY NOTE AND UPDATED TO CURRENT STANDARDS	JFK	DJK	JDJ	GLM
99998	B	05/03/99	CHANGE FROM KEYSOLE TO SPIGOT FIELD COIL ASSEMBLY ADDED COMPRESSOR LABEL	JFK	JLH	JDJ	JDJ
000340	A	11/06/01	UPDATED TO CURRENT TITLE BLOCK (IL CSP-10) VMS (IL CSP-20)	JLH	JFK	JDK	JLH



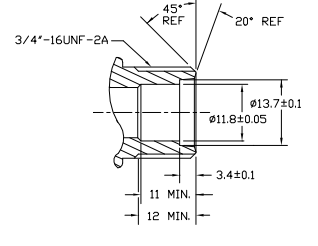
SECTION A-A



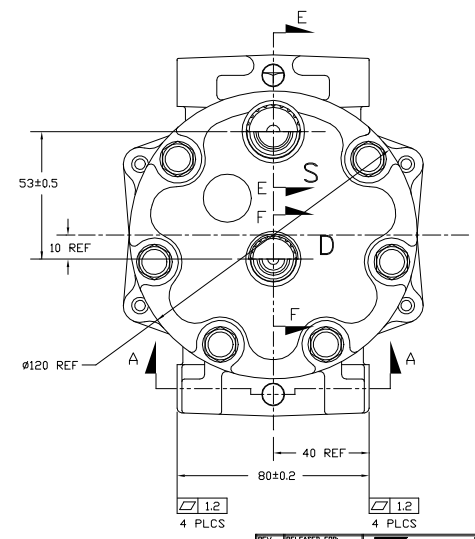
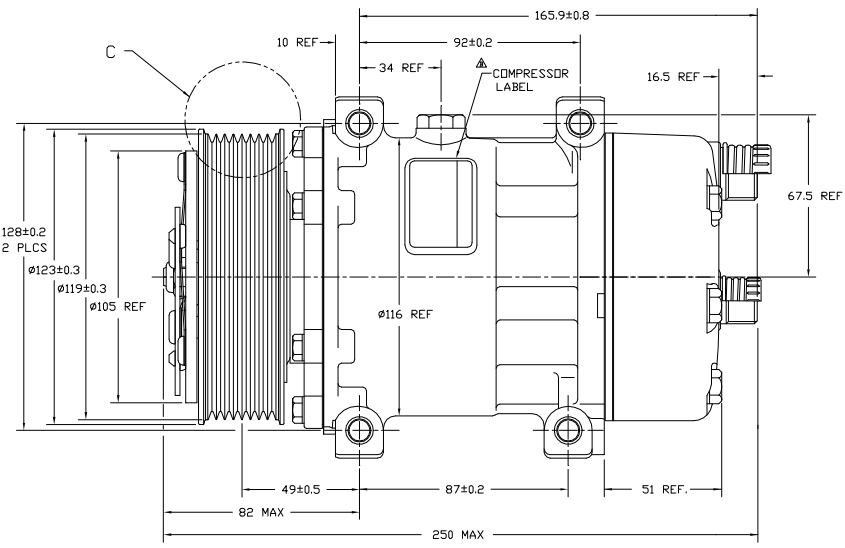
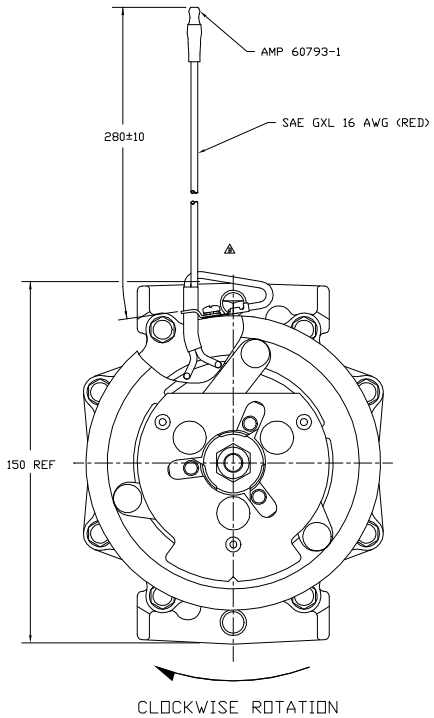
DETAIL C
SCALE: 3:1



SECTION E-E
SCALE: 2:1
(SECTION SHOWN WITH SEAL CAP REMOVED)



SECTION F-F
SCALE: 2:1
(SECTION SHOWN WITH SEAL CAP REMOVED)



COMPRESSOR SPECIFICATIONS

DISPLACEMENT PER REVOLUTION	154.9 cc / rev. (9.5cu.in. / rev.)
MAXIMUM ALLOWABLE R.P.M.	8000 R.P.M.
MAXIMUM ALLOWABLE CONTINUOUS R.P.M.	6000 R.P.M.
REFRIGERANT	R134a
OIL (SP-15)	240 cc (8.1 floz.)
WEIGHT	7.2 kg (16 lb.)

CLUTCH SPECIFICATIONS

RATED VOLTAGE	DC 12V
BREAKAWAY TORQUE	3.5 kgf min. @ 12V
MINIMUM ENGAGEMENT VOLTAGE	7.5V @ AIR GAP 0.6mm REF
POWER CONSUMPTION	49 watts max.
BELT TYPE	PV8 TYPE
MAXIMUM ALLOWABLE BELT TENSION	120 kgf
PULLEY DIAMETER	Ø119mm (4.68 in.)
CLUTCH TYPE	STANDARD

REV. LEVEL	RELEASED FOR REB. DEVELOPMENT	
DWN	00000	
CHK	00000	SCALE REF 1:1
APPV	05/03/99	SCALE REF 1:1
REV. LEVEL	RELEASED FOR PRODUCTION	METRIC
DWN	00000	This drawing and the information contained herein are CONFIDENTIAL and PROPRIETARY to Sanden International (U.S.A.), Inc. and shall not be used, copied, or disclosed to others without the written permission of Sanden International (U.S.A.), Inc.
APPV	05/03/99	INTERPRETATION OF THIS DRAWING PER ASME Y14.2M-1994
DWN	00000	THIRD ANGLE PROJECTION
APPV	05/03/99	SIZE D
DWN	00000	MATERIAL: -
APPV	05/03/99	NAME: -
DWN	00000	COMPRESSOR OUTLINE
APPV	05/03/99	DWG. NO: 4666-6000
DWN	00000	REV C

DO NOT SCALE