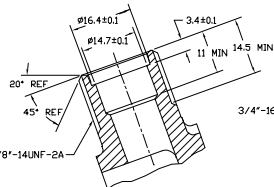
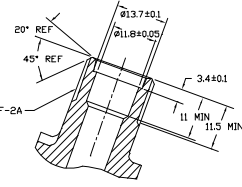


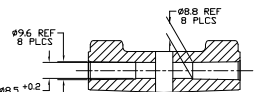
DETAIL C
SCALE: 3:1



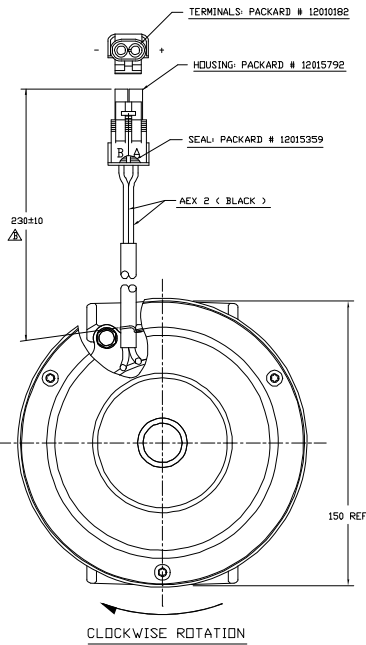
SECTION E-E
SCALE: 2:1
(SECTION SHOWN WITH SEAL CAP REMOVED)



SECTION F-F
SCALE: 2:1
(SECTION SHOWN WITH SEAL CAP REMOVED)



SECTION D-D



COMPRESSOR SPECIFICATIONS

DISPLACEMENT PER REVOLUTION	1549 cc / rev. (95cuin. / rev.)
MAXIMUM ALLOWABLE R.P.M.	4000 R.P.M.
MAXIMUM ALLOWABLE CONTINUOUS R.P.M.	4000 R.P.M.
REFRIGERANT	R134a
OIL (SP-20)	300 cc (10.1 Floz.)
WEIGHT	7.4 kg (16.4 lb.)

CLUTCH SPECIFICATIONS

RATED VOLTAGE	DC 12V
BREAKAWAY TORQUE	35 kgf-m min. @ 12V
MINIMUM ENGAGEMENT VOLTAGE	7.5V @ AIR GAP 0.6mm REF
POWER CONSUMPTION	43 watts max.
BELT TYPE	PV8 TYPE
MAXIMUM ALLOWABLE BELT TENSION	100 kgf
PULLEY DIAMETER	Ø153 mm (5.2 in.)
CLUTCH TYPE	SEALED HEAVY DUTY

PNR NO.	REV	DATE	REVISIONS	DES	CHK	APPV
—	—	—	ISSUED	—	—	—
95521	△	11/2/95	CHG. MAX ALLOWABLE R.P.M. WAS 6000 R.P.M. MAX ALLOWABLE CONT. R.P.M. WAS 6000 R.P.M.	—	—	—
538	△	4/29/96	CHANGED FROM AKZ-6000 TO HARD NARSES.	—	—	—
96223	△	—	CHANGED 220410 TO 230410	—	—	—

This drawing and the information contained herein are the CONFIDENTIAL and PROPRIETARY of Sanden International (U.S.A.), Inc. and shall not be disclosed, copied, or reproduced in any form without the written permission of Sanden International (U.S.A.), Inc.

NUMERIC REVISION LEVELS INDICATE PRELIMINARY DRAWINGS. "1" - INITIAL ISSUE
ALPHA REVISION LEVELS INDICATE APPROVED DRAWINGS. "A" - PARTIAL ISSUE

SANDEN SANDEN INTERNATIONAL (U.S.A.), INC.	
REV: 006.010	DO NOT SCALE METRIC
DATE: 01/21/95	MODEL: SD7H15JD4698
BY: [Signature]	COMPRESSOR
CHK: [Signature]	
APPV: [Signature]	
SCALE: 1:1	DWG. NO. 4698-6000