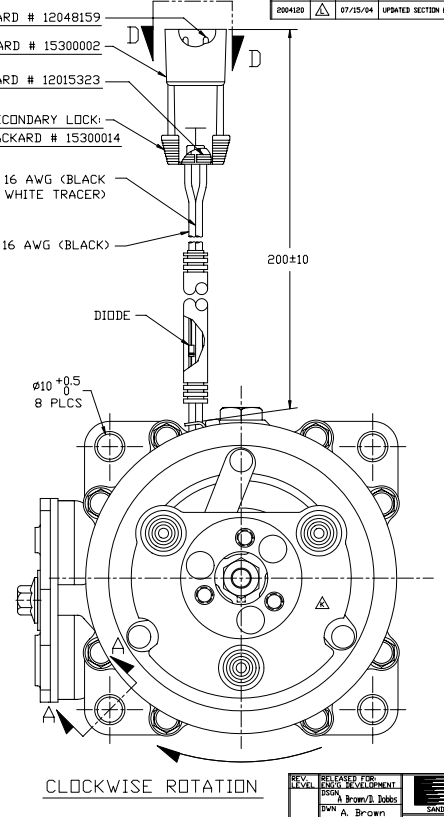
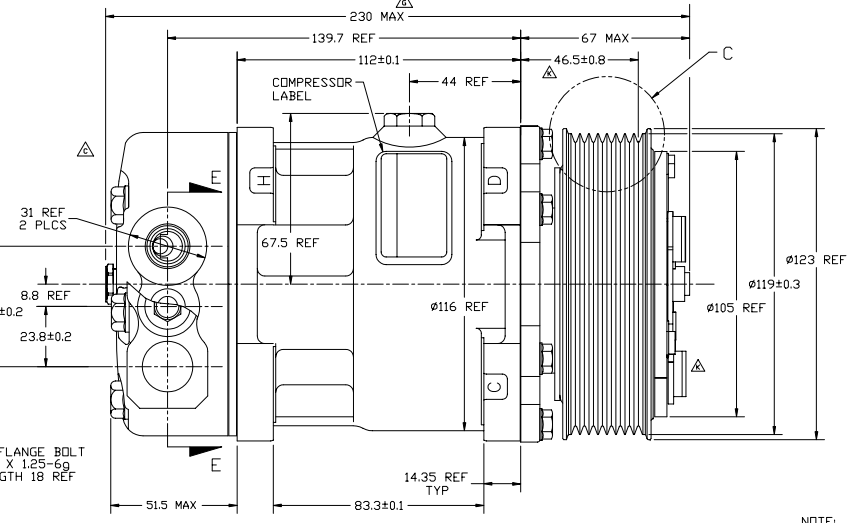
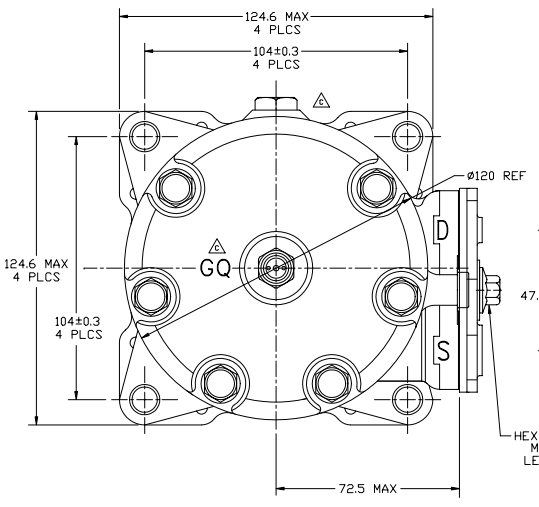
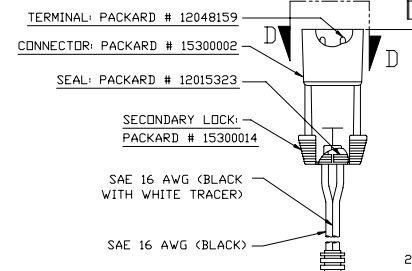
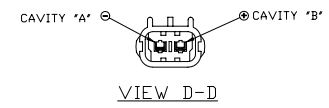
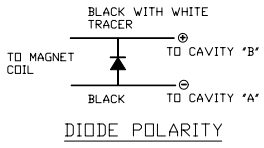
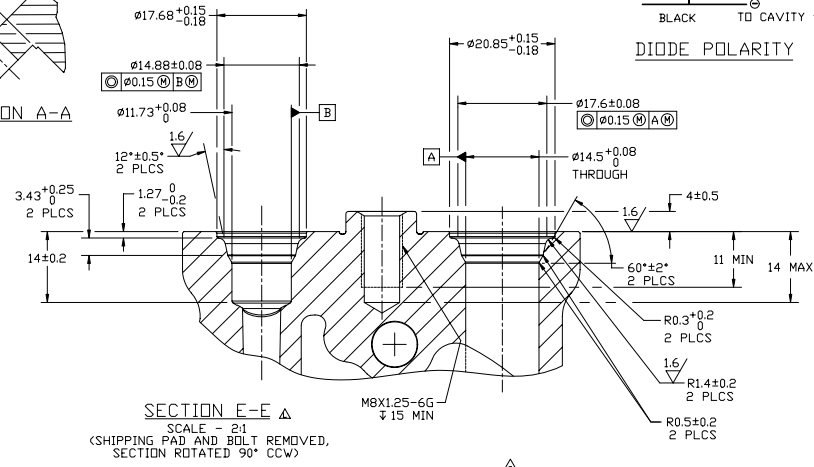
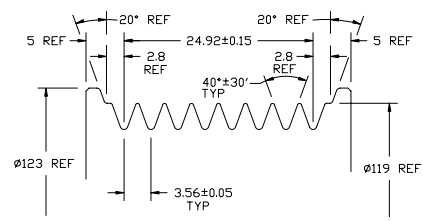
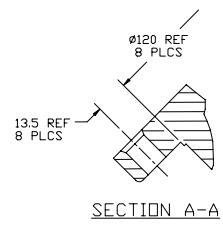
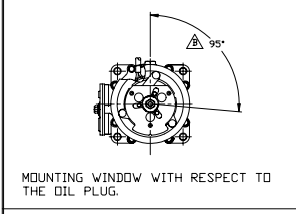


16 | 15 | 14 | 13 | 12 | 11 | 10 | 9 | 8 | 7 | 6 | 5 | 4 | 3 | 2 | 1



COMPRESSOR SPECIFICATIONS

DISPLACEMENT PER REVOLUTION	154.9 cc / rev. (9.5 in ³ / rev.)
MAXIMUM ALLOWABLE R.P.M.	8000 R.P.M.
MAXIMUM ALLOWABLE CONTINUOUS R.P.M.	6000 R.P.M.
REFRIGERANT	R134a
OIL (SP-15)	300 cc (10.1 fl. oz.)

CLUTCH SPECIFICATIONS

RATED VOLTAGE	DC 12V
BREAKAWAY TORQUE	3.5 kgf-m MIN. @ 12V
MINIMUM ENGAGEMENT VOLTAGE	7.5V @ AIR GAP 0.6mm REF
POWER CONSUMPTION	49 WATTS MAX.
BELT TYPE	PV8 TYPE
MAXIMUM ALLOWABLE BELT TENSION	120 kgf PER BELT
PULLEY DIAMETER	Ø119mm (4.69 in.)
CLUTCH TYPE	HEAVY DUTY

NOTE:
1. COMPRESSOR TO BE CHARGED WITH NITROGEN PRIOR TO SHIPPING, WITHIN 0.2 TO 1.6 kg/cm².

ANGLE TOLERANCE	RIGHT ANGLE	OTHERS	DO NOT SCALE
A	41°	41.5°	
C			
E			

FIG. NO.	REV.	DATE	REVISIONS	DWN	ZSON	CHK	APPV
			INITIAL RELEASE				
96308	Δ	3/5/96	DELETED DIM 95°, REPOSITIONED DIM 95°		DH	EMA	EMA
96484	Δ	3/11/97	UPDATE TO SHOW HEAD CHANGES (REMOVE CLIP MOUNTED PART MARKS). UPDATE TO CURRENT STANDARDS.		BS	JP	DRL
98079	Δ	2/4/98	ADDED RESHAPE TYP. TO SECTION E-E		CT	DSS	DRL
97202A	Δ	1/19/99	CHANGED L. COMPRESSOR TO BE CHARGED WITH NITROGEN PRIOR TO SHIPPING. WAS 1. NITROGEN CHARGE PER SANDEN SPECIFICATION: 150.3 kg/cm ² .		JW	DSS	DRL
99124	Δ	4/24/99	ADDED PRESSURE RANGE TO NOTE 1.		JS	NB	DRL
99007	Δ	7/28/00	E20 MAX WAS 247 MAX. UPDATED TITLE BLOCK.		RSR	LM	DS
2001340	Δ	11/06/01	DL. GP-150 WAS DL. GP-160		RSR	LK	DRL
2001192	Δ	7/15/02	ADDED REF 2 PLCS WAS RESHAPE TYP. OF REF 2 PLCS WAS 2014. REF 2 PLCS WAS 2014. REF 2 PLCS WAS 205.		JS	PN	DRL
2008199	Δ	09/19/02	CHANGED TO KEYS RDA. KEYS RDA KEYS RDA KEYS RDA		RSR	HF	DRL
2004120	Δ	07/15/04	UPDATED SECTION E-E		RSR	NB	DRL

RELEASED FOR PRODUCTION

SANDEN
SANDEN INTERNATIONAL (U.S.A.), INC.

SCALE REF 1:1 PLATTER SCALE REF 1:1 METRIC

THIRD ANGLE PROJECTION

MATERIAL

NAME

COMPRESSOR OUTLINE

DWG. NO. 4705-6000

REV. L

16 | 15 | 14 | 13 | 12 | 11 | 10 | 9 | 8 | 7 | 6 | 5 | 4 | 3 | 2 | 1