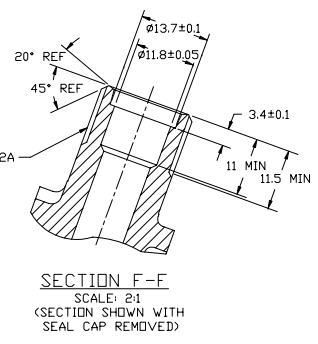
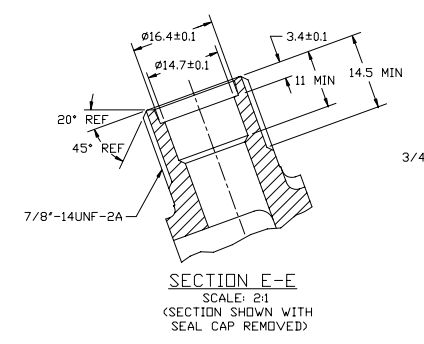
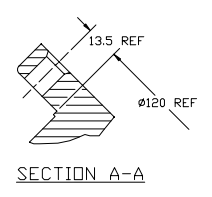
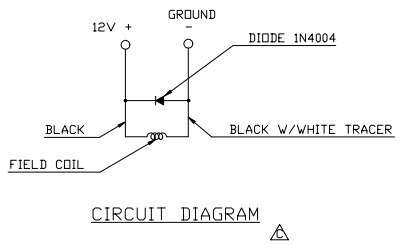
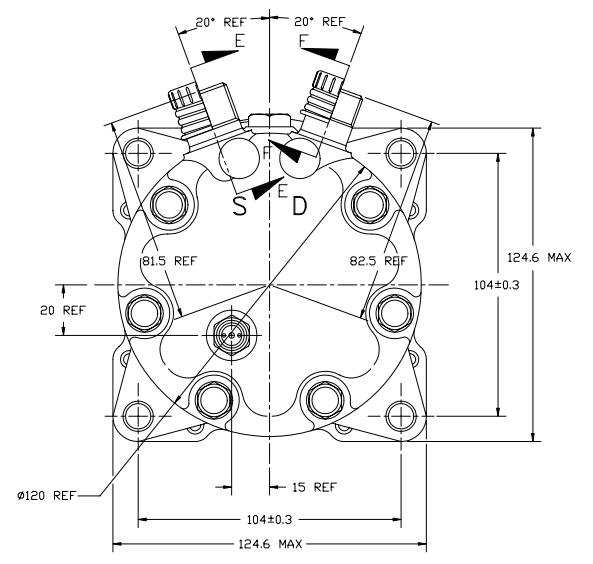
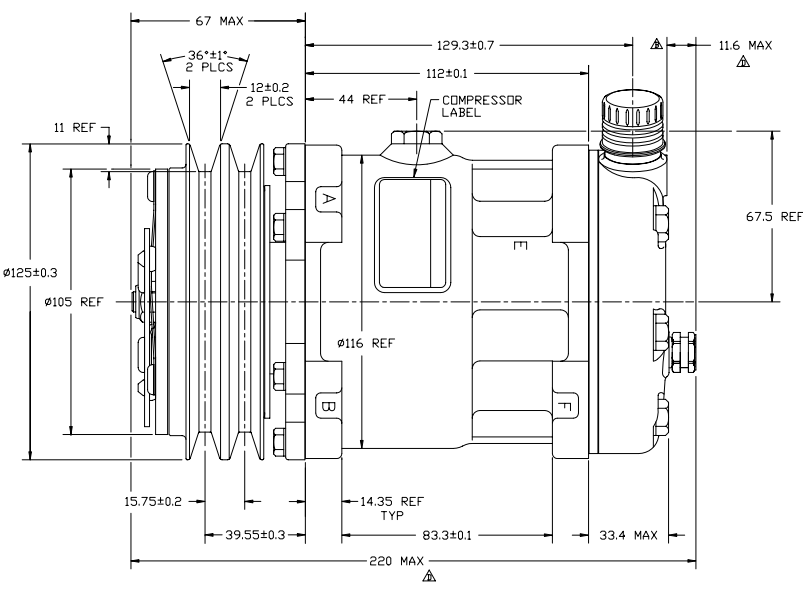
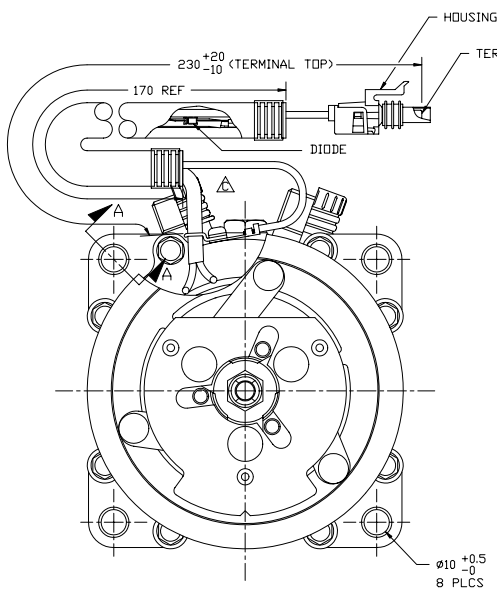


16 | 15 | 14 | 13 | 12 | 11 | 10 | 9 | 8 | 7 | 6 | 5 | 4 | 3 | 2 | 1



PDN	REV.	APPV DATE	REVISIONS	DWN	ESGN	CHK	APPV
538	△	6/28/96	CHANGED FROM 44A-6000 TO HARD NO. 4713-6000 ALSO UPDATED TO CURRENT STANDARDS	RH	EMA	DRL	EMA TS
9630	△	7/15/96	RELOCATED LEADER LINE	DD	DD	DRL	EMA
99213	△	5/27/99	CHANGED FROM MIDDLE TO POLE FIELD COIL ASSEMBLY. ADDED CIRCUIT DIAGRAM	RH	LM	DRL	DD HD
5907 E00024	△	7/28/00	11.6 MAX WAS 26.2 MAX 55.9 MAX WAS 59.9 MAX UPDATED TITLE BLOCK	RSR	LM	DRL	DD
200134	△	11/1/01	OIL SP-15 WAS SP-20	JS	LK	DRL	MY
E002375	△	1/29/03	TERMINAL PACKARD # 12124580 WAS #200188	JS	HF	DRL	BP



**COMPRESSOR SPECIFICATIONS**

DISPLACEMENT PER REVOLUTION	154.9 cc / rev. ( 9.5cuin. / rev. )
MAXIMUM ALLOWABLE R.P.M.	8000 R.P.M.
MAXIMUM ALLOWABLE CONTINUOUS R.P.M.	6000 R.P.M.
REFRIGERANT	R134a
OIL ( SP-15 )	300 cc ( 10.1 fl.oz. )
WEIGHT	7.6 kg ( 16.8 lb. )

**CLUTCH SPECIFICATIONS**

RATED VOLTAGE	DC 12V
BREAKAWAY TORQUE	3.5 kgf-m min. @ 12V
MINIMUM ENGAGEMENT VOLTAGE	7.5V @ AIR GAP 0.6mm REF
POWER CONSUMPTION	49 watts max.
BELT TYPE	A TYPE
MAXIMUM ALLOWABLE BELT TENSION	60 kgf per belt
PULLEY DIAMETER	125 mm ( 4.9 in. )
CLUTCH TYPE	HEAVY DUTY

REV. LEVEL	RELEASED FOR PRODUCTION	DATE	10/17/94	BY	CRICK K EMA
APPV. LEVEL	JB NI	DATE	10/19/94	BY	JB NI
REV. LEVEL	RELEASED FOR DESIGN VALIDATION	DATE	10/19/94	BY	JB NI
APPV. LEVEL	JB NI	DATE	10/19/94	BY	JB NI
REV. LEVEL	RELEASED FOR PRODUCTION	DATE	10/19/94	BY	JB NI
APPV. LEVEL	JB NI	DATE	10/19/94	BY	JB NI
REV. LEVEL	RELEASED FOR PRODUCTION	DATE	10/19/94	BY	JB NI
APPV. LEVEL	JB NI	DATE	10/19/94	BY	JB NI
REV. LEVEL	RELEASED FOR PRODUCTION	DATE	10/19/94	BY	JB NI
APPV. LEVEL	JB NI	DATE	10/19/94	BY	JB NI

**SANDEN**  
SANDEN INTERNATIONAL (U.S.A.), INC.  
DRAWN SCALE REF 1:1 PLATTED SCALE REF 1:1 METRIC

This drawing and the information contained herein are CONFIDENTIAL and PROPRIETARY to Sanden International (U.S.A.), Inc. and are loaned in confidence and shall not be used, copied, or disclosed to others without the written permission of Sanden International (U.S.A.), Inc.

INTERPRETATION OF THIS DRAWING PER ASME Y14.5M-1994

THIRD ANGLE PROJECTION

MATERIAL:

NAME: **COMPRESSOR**

DWG. NO. **4713-6000**

REV. F

**DO NOT SCALE**

16 | 15 | 14 | 13 | 12 | 11 | 10 | 9 | 8 | 7 | 6 | 5 | 4 | 3 | 2 | 1