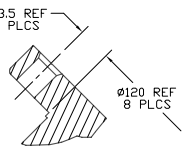
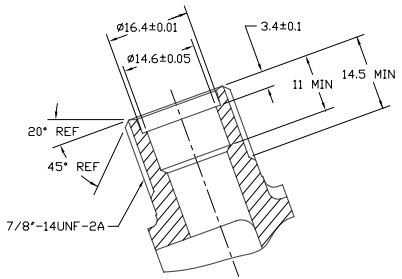


PN	REV	APPV DATE	REVISIONS	DWN	DSGN	CHK	APPV
			INITIAL RELEASE				
000340	9907	11/19/01	DIL CSP-15 WAS DIL CSP-20	DKC	LK	DRL	MY
			UPDATED BORDER	RSR	HF	DRL	RG
000237		04/04/03	CHANGED TO KEYED RDA	RSR	HF	DRL	RG
000602		3/20/06	CHANGED FIELD COIL ASSY FROM 6716-6040 TO 6775-6040	RSR	HF	DRL	YN

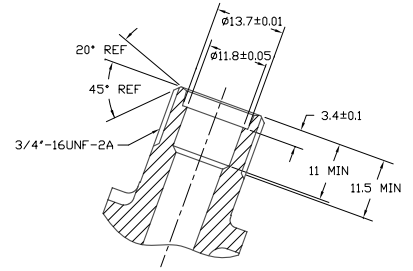


SECTION A-A



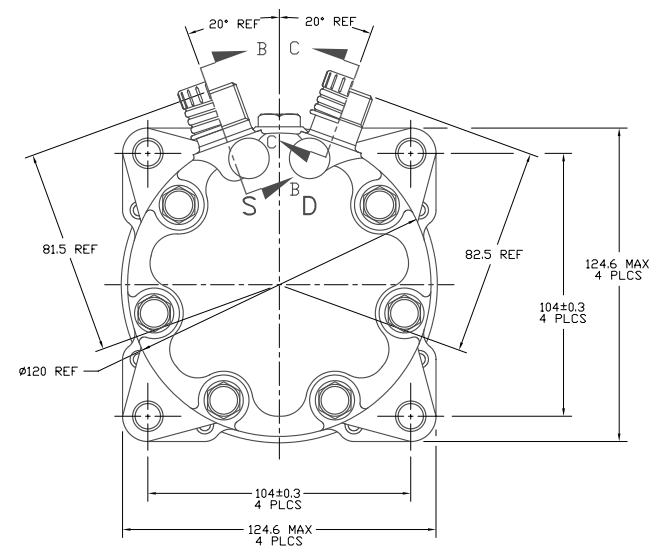
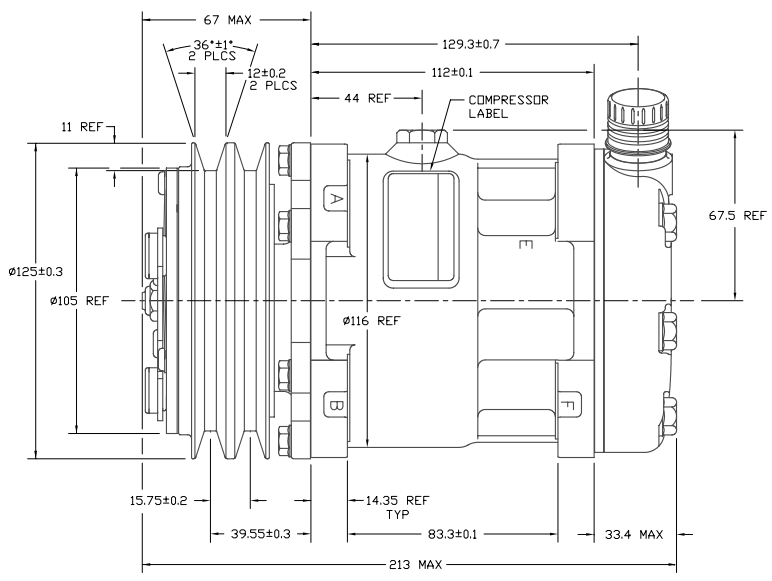
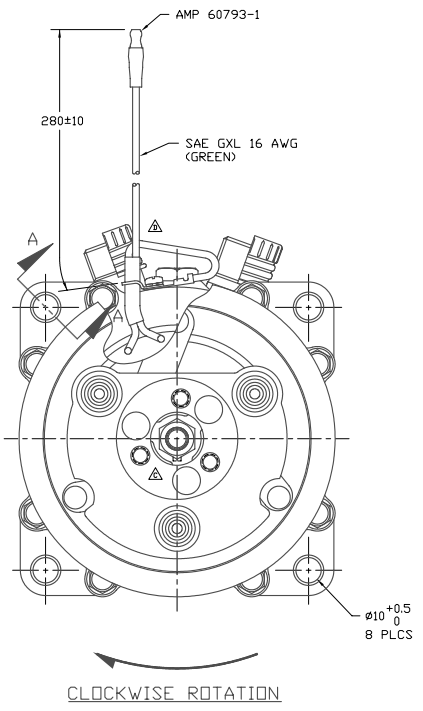
SECTION B-B

SCALE: 2:1  
(SECTION SHOWN WITH SEAL CAP REMOVED)



SECTION C-C

SCALE: 2:1  
(SECTION SHOWN WITH SEAL CAP REMOVED)



COMPRESSOR SPECIFICATIONS (REF)

DISPLACEMENT PER REVOLUTION	1549 cc / rev. ( 9.5 cu.in. / rev. )
MAXIMUM ALLOWABLE R.P.M.	8000 R.P.M.
MAXIMUM ALLOWABLE CONTINUOUS R.P.M.	6000 R.P.M.
REFRIGERANT	R134a
DIL ( SP-15 )	175 cc ( 5.9 fl.oz. )
WEIGHT	7.4 kg ( 16.4 lb. )

CLUTCH SPECIFICATIONS (REF)

RATED VOLTAGE	DC 24V
BREAKAWAY TORQUE	3.3 kgf-m min. @ 24V
MINIMUM ENGAGEMENT VOLTAGE	16V @ AIR GAP 0.6mm
POWER CONSUMPTION	42 watts max.
BELT TYPE	A TYPE
MAXIMUM ALLOWABLE BELT TENSION	60 kgf per belt
PULLEY DIAMETER	Ø125mm ( 4.9 in. )
CLUTCH TYPE	HEAVY DUTY

REV. LEVEL	RELEASED FOR PRODUCTION	DSGN	D.Seale	5/5/98
DWN	J.Wong	SCALE REF	1:1	METRIC
CHK	Dennis Lee	SCALE REF	1:1	METRIC
APPV	L.A.Helo, T. Sato	DATE	6/19/98	
REV. LEVEL	RELEASED FOR PRODUCTION	DSGN	D.Seale	5/5/98
APPV	L.A.Helo, T. Sato	DATE	6/19/98	
REV. LEVEL	RELEASED FOR PRODUCTION	DSGN	D.Seale	5/5/98
APPV	L.A.Helo, T. Sato	DATE	6/19/98	
REV. LEVEL	RELEASED FOR PRODUCTION	DSGN	D.Seale	5/5/98
APPV	L.A.Helo, T. Sato	DATE	6/19/98	
REV. LEVEL	RELEASED FOR PRODUCTION	DSGN	D.Seale	5/5/98
APPV	L.A.Helo, T. Sato	DATE	6/19/98	

DO NOT SCALE

**SANDEN**  
SANDEN INTERNATIONAL (U.S.A.) INC.

INTERPRETATION OF THIS DRAWING PER ASME Y14.5M-1994

THIRD ANGLE PROJECTION

NAME: SD7H15JD471  
COMPRESSOR

DWG. NO: 4741-6000

REV. D