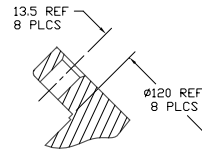
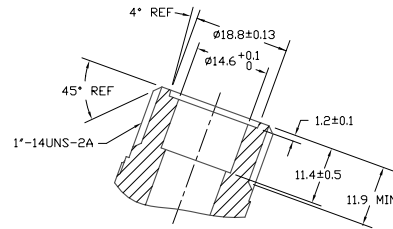


PICN	REV.	APPV	DATE	REVISIONS	DWN	ESGN	CHK	APPV
				INITIAL ISSUE REF. DRAWING 475V-6000 REV. 1				
000140	99007		11/19/01	DIL CSP-15 WAS DIL CSP-20 UPDATED BODIES	DKC	LK	DRL	MY
000297			04/04/02	CHANGED TO KEYS R2A	RSR	HF	DRL	RG
000630			3/20/06	CHANGED FIELD COIL ASBY FROM 6716-6040 TO 6775-6040	RSR	HF	DRL	YN

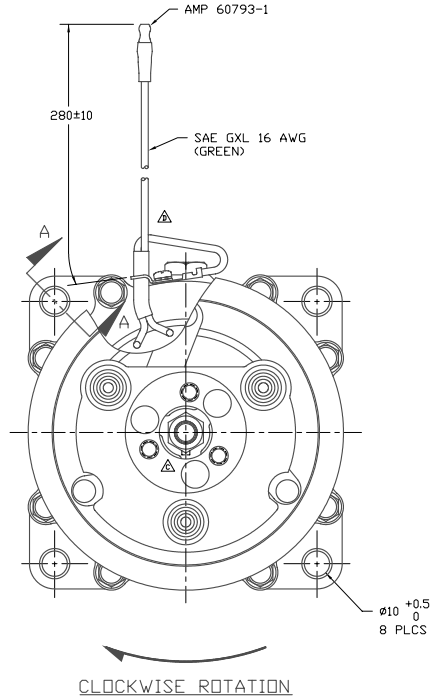


SECTION A-A

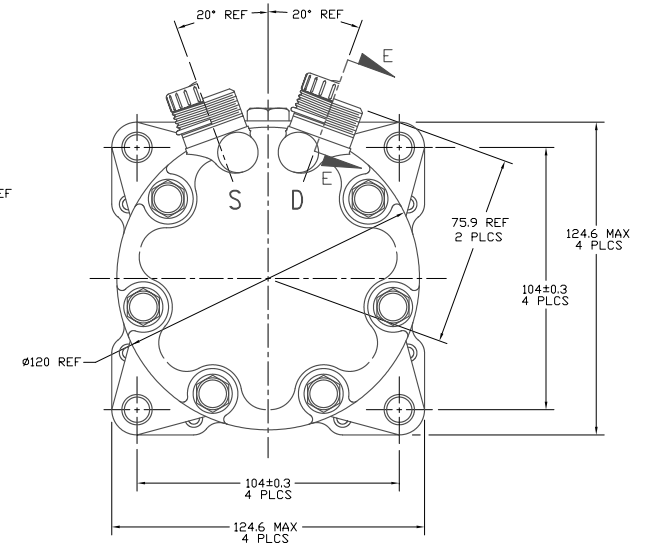
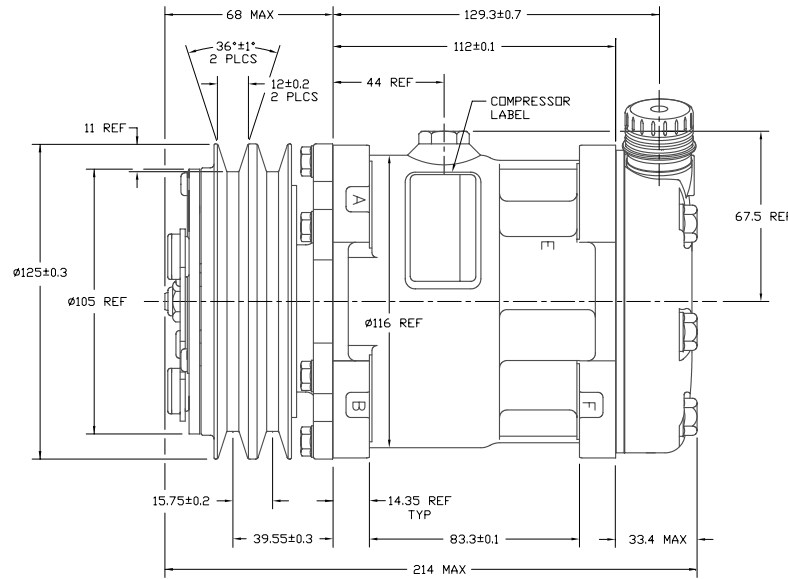


SECTION E-E

SCALE: 2:1
(SECTION SHOWN WITH
SEAL CAP REMOVED)
2 PLCS



CLOCKWISE ROTATION



COMPRESSOR SPECIFICATIONS (REF)

DISPLACEMENT PER REVOLUTION	154.9 cc / rev. (9.5cuin. / rev.)
MAXIMUM ALLOWABLE R.P.M.	6000 R.P.M.
MAXIMUM ALLOWABLE CONTINUOUS R.P.M.	4000 R.P.M.
REFRIGERANT	R134a
DIL (SP-15)	175 cc (6.4 fl.oz.)
WEIGHT	7.3 kg (16.1 lb.)

CLUTCH SPECIFICATIONS (REF)

RATED VOLTAGE	DC 24V
BREAKAWAY TORQUE	3.5 kgf-m min. @ 24V
MINIMUM ENGAGEMENT VOLTAGE	16V @ AIR GAP 0.6mm
POWER CONSUMPTION	42 watts max.
BELT TYPE	A TYPE
MAXIMUM ALLOWABLE BELT TENSION	60 kgf per belt
PULLEY DIAMETER	Ø125mm (4.92 in.)
CLUTCH TYPE	HEAVY DUTY

REV. LEVEL	RELEASED FOR:	SCALE	REF	PLOTTED	SCALE	REF	UNIT
A	DESIGN DEVELOPMENT	1:1		1:1			METRIC
A	CHK: D.Swain						
A	APPV: EMarr/Scho						
A	DATE: 11/14/98						
A	RELEASED FOR:						
A	DESIGN VALIDATION						
A	CHK: D.Swain						
A	APPV: EMarr/Scho						
A	DATE: 11/14/98						
A	RELEASED FOR:						
A	PRODUCTION VAL.						
A	CHK: D.Swain						
A	APPV: EMarr/Scho						
A	DATE: 11/14/98						
A	RELEASED FOR:						
A	PRODUCTION						
A	CHK: D.Swain						
A	APPV: EMarr/Scho						
A	DATE: 11/14/98						



INTERPRETATION OF THIS DRAWING PER
ASME Y14.5M-1994

THIRD ANGLE PROJECTION

MATERIAL:

NAME: SD7H15CB4743

COMPRESSOR

DWG. NO. 4743-6000

DO NOT SCALE