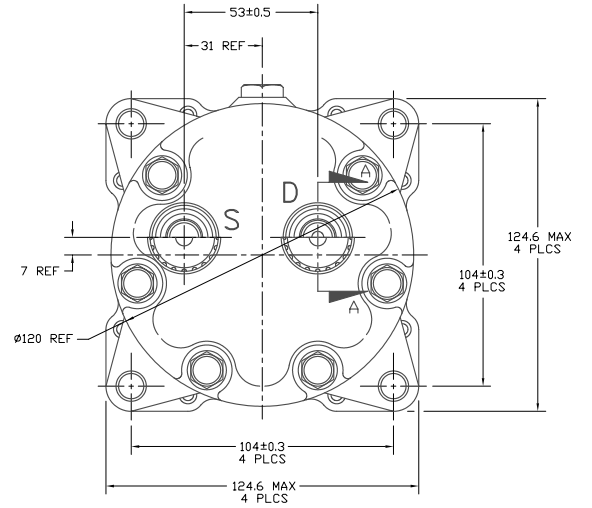
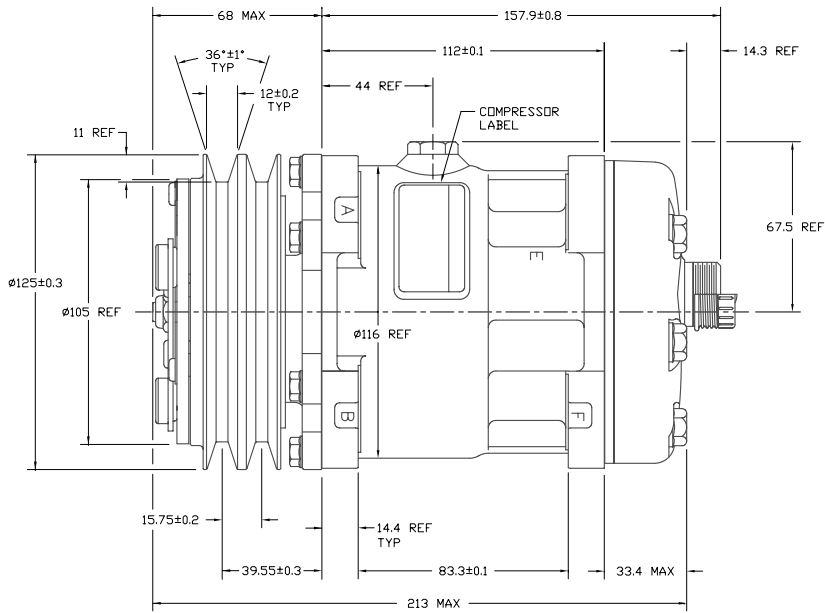
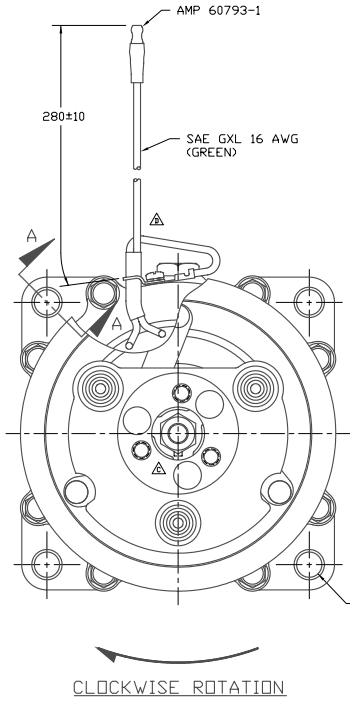
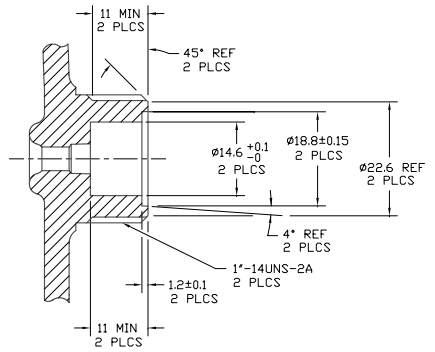
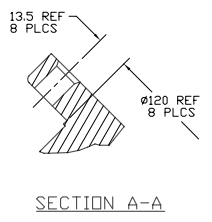


16 | 15 | 14 | 13 | 12 | 11 | 10 | 9 | 8 | 7 | 6 | 5 | 4 | 3 | 2 | 1



PKCN	REV.	APPV DATE	REVISIONS	DWN	ESGN	CHK	APPV
2001340	99007	11/19/01	NEW RELEASE REF. DRAWING 475V-6000 REV L				
2002237		04/04/03	DL CSP-15 WAS DIL CSP-20 UPDATED BORDER	DKC	LK	DRL	MY
2006632		3/25/06	CHANGED FIELD DIL ASSY FROM 676-6040 TO 6775-6040	RSR	HF	DRL	RG
				RSR	HF	DRL	YN

COMPRESSOR SPECIFICATIONS (REF)

DISPLACEMENT PER REVOLUTION	154.9 cc / rev. (9.5 cuin. / rev.)
MAXIMUM ALLOWABLE R.P.M.	6000 R.P.M.
MAXIMUM ALLOWABLE CONTINUOUS R.P.M.	4000 R.P.M.
REFRIGERANT	R134a
OIL (SP-15)	175 cc (6.4 floz.)

CLUTCH SPECIFICATIONS (REF)

RATED VOLTAGE	DC 24V
BREAKAWAY TORQUE	3.5 kgf·m min. @ 24V
MINIMUM ENGAGEMENT VOLTAGE	16V @ AIR GAP 0.6mm
POWER CONSUMPTION	42 watts max.
BELT TYPE	A TYPE
MAXIMUM ALLOWABLE BELT TENSION	60 kgf per belt
PULLEY DIAMETER	125 mm (4.92 in.)
CLUTCH TYPE	HEAVY DUTY

RELEASED FOR ENG'G DEVELOPMENT DESG: D.Seals CHK: J. Sokolowski APPV: D.Martin DATE: 11/4/98 RELEASED FOR DESIGN VALIDATION DESG: D.Seals APPV: D.Martin DATE: 11/4/98 RELEASED FOR PRODUCTION VAL'D DESG: D.Seals APPV: D.Martin DATE: 11/4/98	<p>SANDEN SANDEN INTERNATIONAL (U.S.A.) INC.</p> <p>This drawing and the information contained herein are CONFIDENTIAL and PROPRIETARY to Sanden International (U.S.A.), Inc. and received in CONFIDENCE and shall not be used, copied, or disclosed to others without the written permission of Sanden International (U.S.A.), Inc.</p> <p>INTERPRETATION OF THIS DRAWING PER ASME Y14.5M-1994</p> <p>THIRD ANGLE PROJECTION</p> <p>MATERIAL:</p> <p>NAME: SD7H15MD4744 COMPRESSOR</p> <p>DWG. NO. 4744-6000</p> <p>REV. D</p>
-------------------------------------------------------------------------------------------------------------------------------------------------------------------------------------------------------------------------------------------------------------------------------------	--------------------------------------------------------------------------------------------------------------------------------------------------------------------------------------------------------------------------------------------------------------------------------------------------------------------------------------------------------------------------------------------------------------------------------------------------------------------------------------------------------------------------------------------

DO NOT SCALE

16 | 15 | 14 | 13 | 12 | 11 | 10 | 9 | 8 | 7 | 6 | 5 | 4 | 3 | 2 | 1