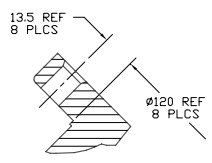
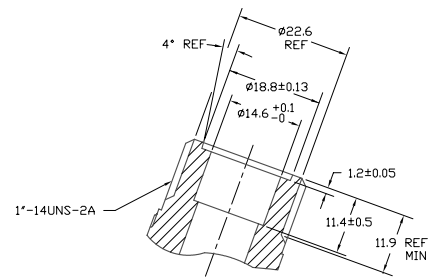


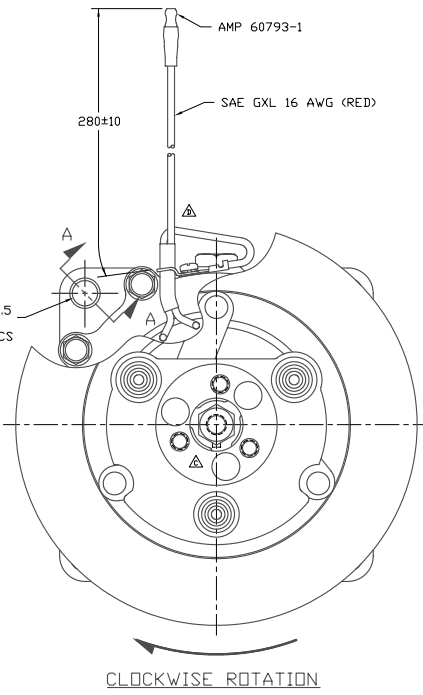
PN	REV	APPV DATE	REVISIONS	DWN	DSGN	CHK	APPV
			INITIAL RELEASE				
2001349	11/19/01		REF. DRAWING A752-6000 REV. 1.	DKC	LK	DRL	MY
2002937	04/04/03		OIL (SP-15) WAS OIL (SP-20) UPDATED BORDER	RSR	HF	DRL	RG
2006232	3/20/06		CHANGED FIELD COIL FROM 0144-6240 TO 6764-6140	RSR	HF	DRL	YN



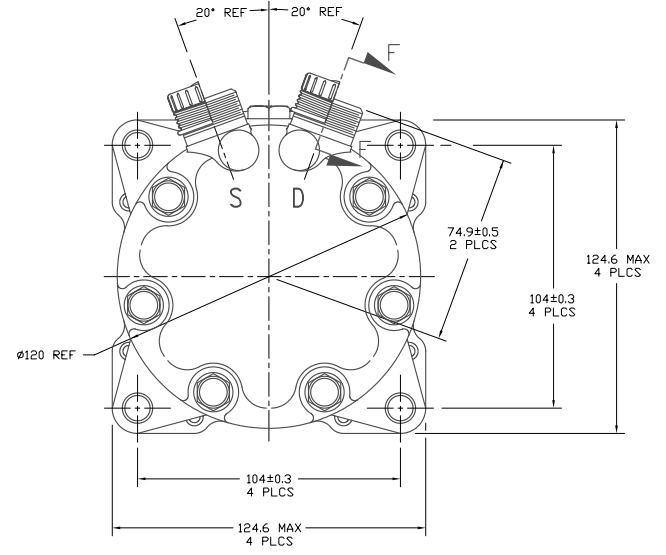
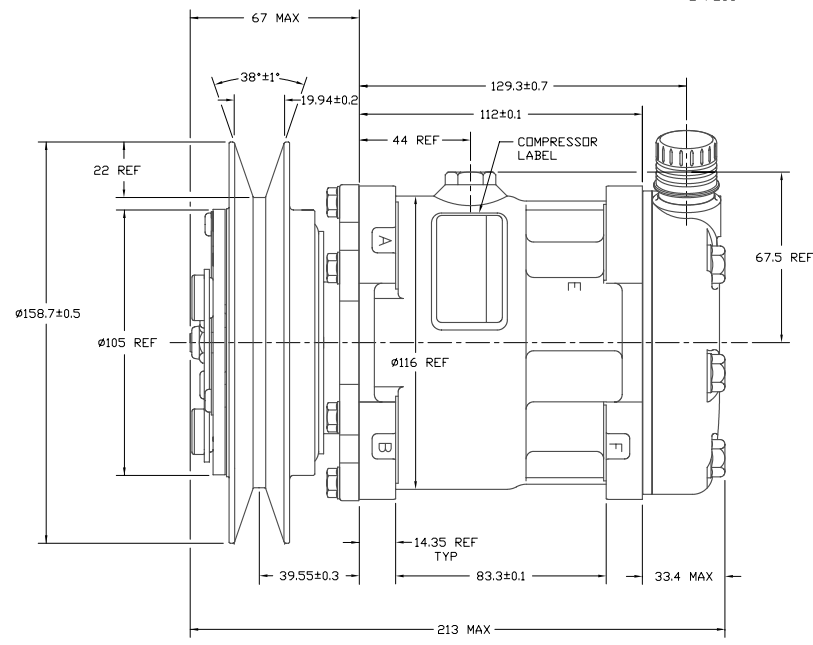
SECTION A-A



SECTION F-F
SCALE: 2:1
(SECTION SHOWN WITH SEAL CAP REMOVED)
2 PLCS



CLOCKWISE ROTATION



COMPRESSOR SPECIFICATIONS (REF)

DISPLACEMENT PER REVOLUTION	154.9 cc / rev. (9.5 cu.in. / rev.)
MAXIMUM ALLOWABLE R.P.M.	6000 R.P.M.
MAXIMUM ALLOWABLE CONTINUOUS R.P.M.	4000 R.P.M.
REFRIGERANT	R134a
Δ OIL (SP-15)	175 cc (5.9 fl.oz.)

CLUTCH SPECIFICATIONS (REF)

RATED VOLTAGE	DC 12V
BREAKAWAY TORQUE	3.5 kgf-m min. @ 12V
MINIMUM ENGAGEMENT VOLTAGE	7.5V @ AIR GAP 0.6mm
POWER CONSUMPTION	49 watts max.
BELT TYPE	C TYPE
MAXIMUM ALLOWABLE BELT TENSION	60 kgf per belt
PULLEY DIAMETER	Ø158.75mm (6.25 in.)
CLUTCH TYPE	HEAVY DUTY

REV. LEVEL	RELEASED FOR PRODUCTION	DSGN	0 Seeds	SCALE REF	1:1	PLIETTE SCALE REF	1:1	METRIC
APPV	J. Sokolowski	DATE	8/10/98	CHK	Denise LaF	SANDEN INTERNATIONAL (U.S.A.) INC. This drawing and the information contained hereon are CONFIDENTIAL and PROPRIETARY to Sanden International (U.S.A.), Inc., and shall not be used, copied, or disclosed to others without the written permission of Sanden International (U.S.A.), Inc.		
REV. LEVEL	RELEASED FOR PRODUCTION	DSGN	D.5seals	INTERPRETATION OF THIS DRAWING PER	ASME Y14.5M-1994			
APPV	I. Marfisi, T. Solo	DATE	8/10/98	THIRD ANGLE PROJECTION				
REV. LEVEL	RELEASED FOR PRODUCTION	DSGN	D.5seals	MATERIAL				
APPV	I. Marfisi, T. Solo	DATE	8/10/98	NAME	SD7H15CB4747 COMPRESSOR			
REV. LEVEL	RELEASED FOR PRODUCTION	DSGN	D.5seals	DWG. NO.	4747-6000			
APPV	I. Marfisi, T. Solo	DATE	8/10/98	REV	D			

DO NOT SCALE