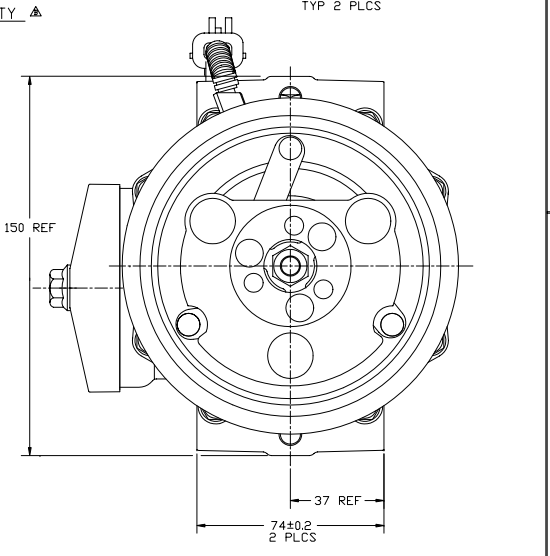
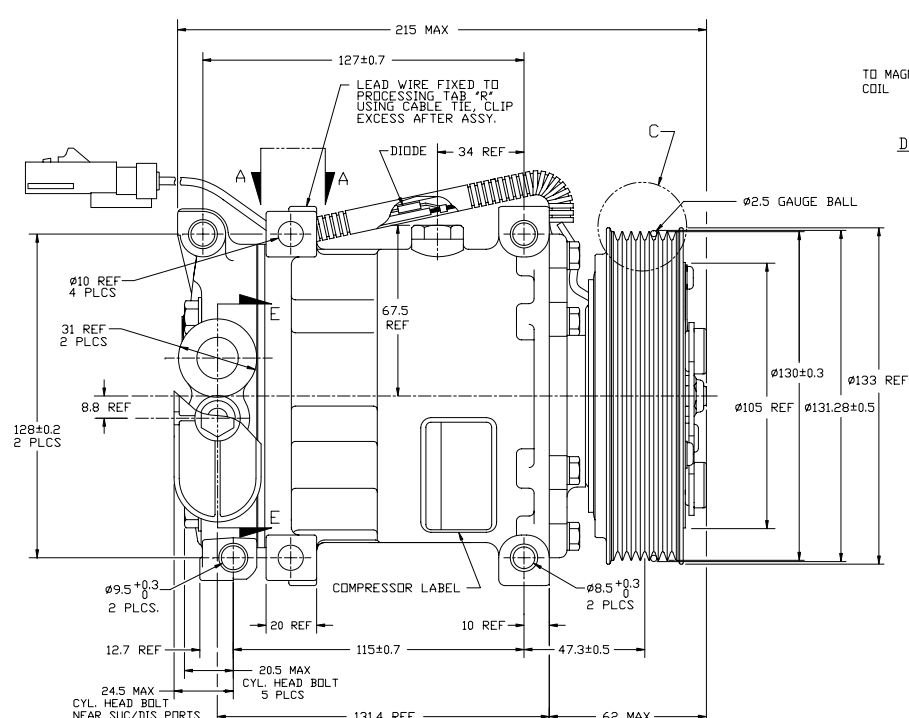
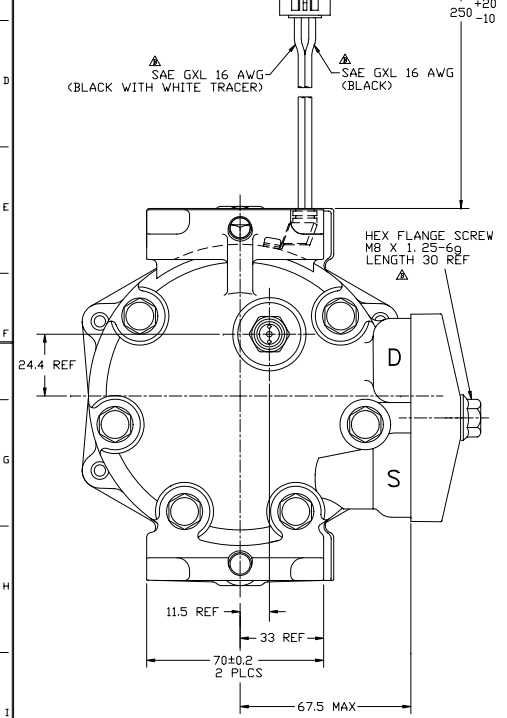
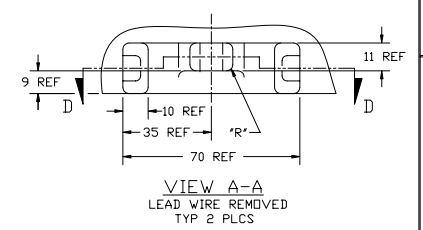
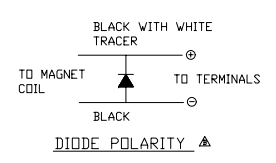
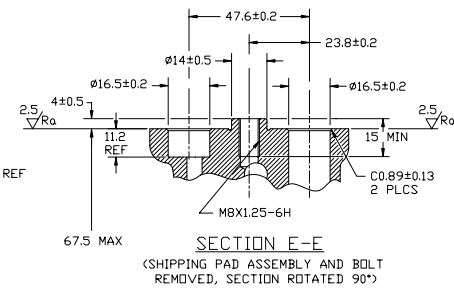
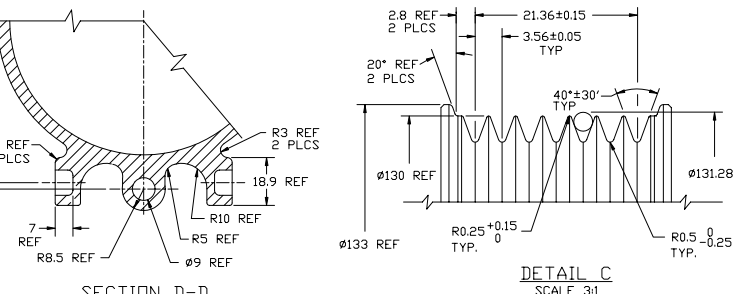
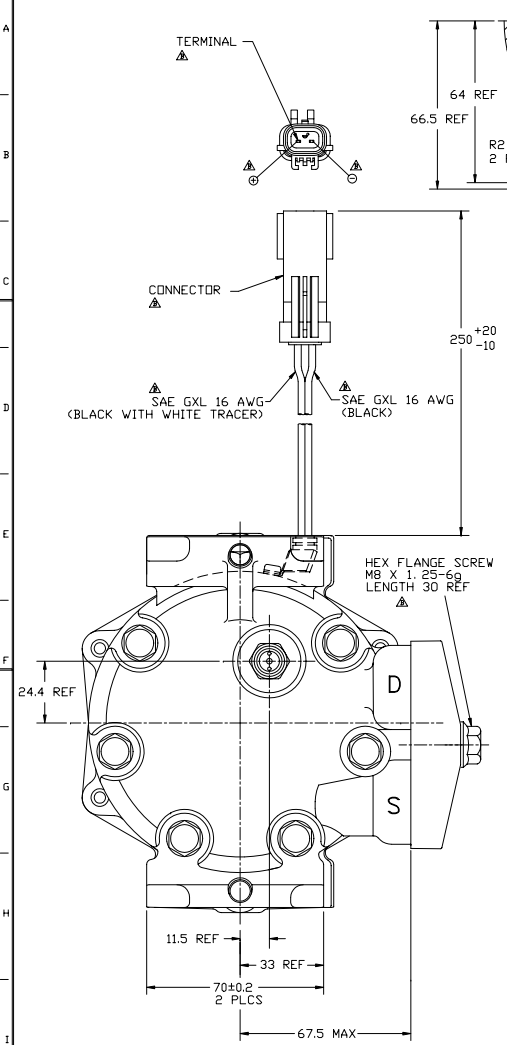


16 | 15 | 14 | 13 | 12 | 11 | 10 | 9 | 8 | 7 | 6 | 5 | 4 | 3 | 2 | 1

PCDN	REV.	APPLY DATE	REVISIONS	DVN	ESGN	CHK	APPV
			INITIAL RELEASE.				
2003184		7/21/03	SP-15 WAS SP-10 ROUNDED TERMINAL, CONNECTOR AND HEX FLANGE SCREW PART NUMBER. ADDED 800S POLYMER AND POLARITY TO CONNECTOR. SAE OIL 16 AWG BLACK WITH WHITE TRACER WAS BLACK WITH WHITE TRACER. SAE OIL 16 AWG BLACK WAS BLACK.	JS	JW	HF	NB



COMPRESSOR SPECIFICATIONS

DISPLACEMENT PER REVOLUTION	154.9 cc / rev. ( 9.5cuin. / rev. )
MAXIMUM ALLOWABLE R.P.M.	8000 r.p.m.
MAXIMUM ALLOWABLE CONTINUOUS R.P.M.	6000 r.p.m.
REFRIGERANT	R134a
OIL ( SP-15 )	210 cc ±10 cc ( 7.1 fl.oz. )
WEIGHT	7.5 kg ( 16.5 lb. )
PRV OPENING PRESSURE RANGE	500-600 PSIG ( 35.2-42.2 kg/cm <sup>2</sup> G )

CLUTCH SPECIFICATIONS

RATED VOLTAGE	DC 12V
BREAKAWAY TORQUE	3.5 kgF-m MIN @ 12V
MINIMUM ENGAGEMENT VOLTAGE	7.5V max @ AIR GAP 0.6mm REF
POWER CONSUMPTION	49 watts max.
BELT TYPE	PV7
MAXIMUM ALLOWABLE BELT TENSION	105 kgf
PULLEY DIAMETER	Ø130 mm (5.12 in.)
CLUTCH TYPE	STANDARD

NOTES:

1. COMPRESSOR/CLUTCH MUST CONFORM TO THE REQUIREMENTS OF SANDEN STANDARDS SES-214 REV. B AND SIA-ES-2002 REV. B.
2. N<sub>2</sub> HOLDING CHARGE DELETED.

DO NOT SCALE

REV. LEVEL	RELEASED FOR PRODUCTION	DATE	BY	APPROVED	DATE	BY
A	CH	6/9/03	J. Sabowski	H. Harrington	6/9/03	J. Sabowski
A	CH	5/20/03	J. Sabowski	H. Harrington	5/20/03	J. Sabowski
A	CH	6/9/03	J. Sabowski	H. Harrington	6/9/03	J. Sabowski
A	CH	6/9/03	J. Sabowski	H. Harrington	6/9/03	J. Sabowski
A	CH	6/9/03	J. Sabowski	H. Harrington	6/9/03	J. Sabowski
A	CH	6/9/03	J. Sabowski	H. Harrington	6/9/03	J. Sabowski
A	CH	6/9/03	J. Sabowski	H. Harrington	6/9/03	J. Sabowski
A	CH	6/9/03	J. Sabowski	H. Harrington	6/9/03	J. Sabowski
A	CH	6/9/03	J. Sabowski	H. Harrington	6/9/03	J. Sabowski
A	CH	6/9/03	J. Sabowski	H. Harrington	6/9/03	J. Sabowski

**SANDEN**  
SANDEN INTERNATIONAL (U.S.A.), INC.  
DRAWN BY: J. Sabowski  
SCALE: 1:1  
PLOTTED BY: J. Sabowski  
SCALE: 1:1  
MATERIAL: COMPRESSOR  
NAME: COMPRESSOR  
DWG. NO.: 4785-AFT-6000  
REV. B

16 | 15 | 14 | 13 | 12 | 11 | 10 | 9 | 8 | 7 | 6 | 5 | 4 | 3 | 2 | 1