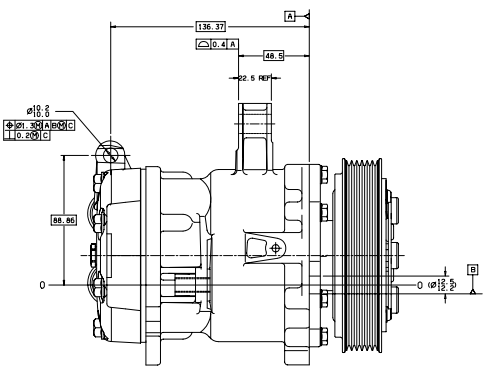
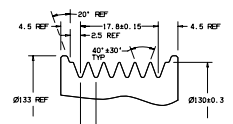


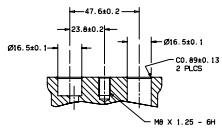
REV	NO	DATE	DESCRIPTION	BY	CHK
A			DETAIL CHANGE		



VIEW A-A



DETAIL C  
SCALE 2:1



SECTION E-E  
( SHIPPING PLATE REMOVED )

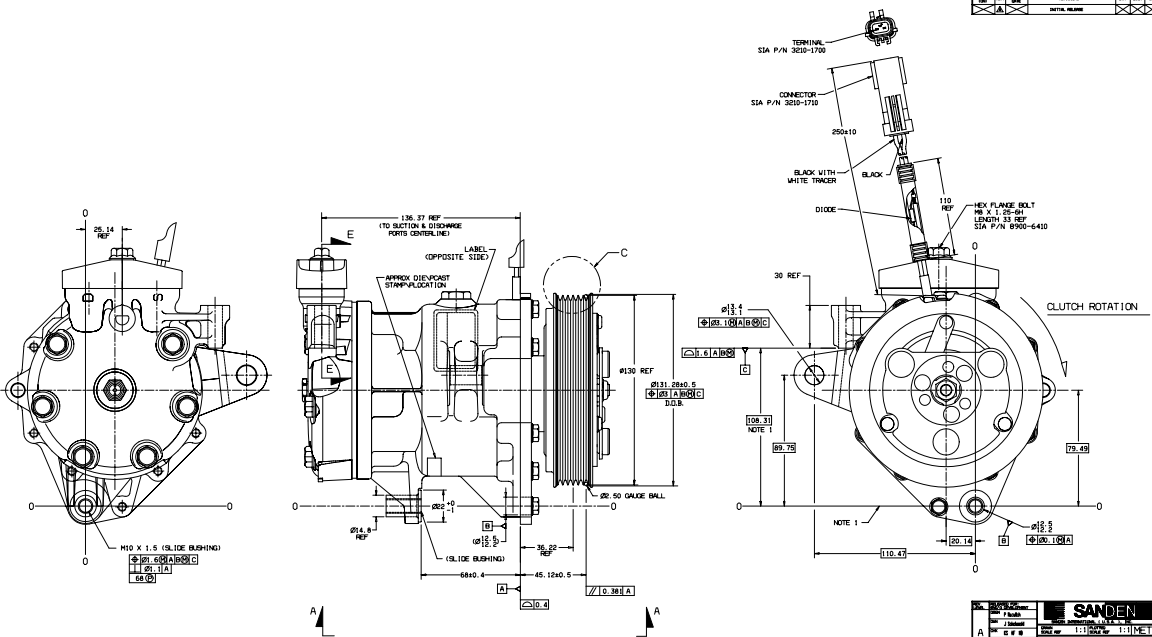
REV	NO	DATE	DESCRIPTION	BY	CHK
A			DETAIL CHANGE		

SANDEN	
METRIC	
Part Name	COMPRESSOR
Part No.	4825-AFT-6000
Scale	1/2 A

DO NOT SCALE

REV	NO	DATE	DESCRIPTION	BY	CHK
A			DETAIL CHANGE		



**COMPRESSOR SPECIFICATIONS**

DISPLACEMENT PER REVOLUTION	154.9 cc / rev. ( 9.5 cu. in. / rev. )
MAXIMUM ALLOWABLE R.P.M.	6000 R.P.M.
MAXIMUM ALLOWABLE CONTINUOUS R.P.M.	6000 R.P.M.
REVISIONS	01346
OIL ( SP-15 )	300 cc ±10 cc
HEIGHT	7.5 in. ( 19.6 in. )
REV. OPENING PRESSURE RANGE	500-600 PSIG ( 35.2-42.2 kg/cm <sup>2</sup> )

**CLUTCH SPECIFICATIONS**

WATED VOLTAGE	DC 12V
BREAKAWAY TORQUE	3.5 kgf-cm MIN. @ 12V
MINIMUM ENGAGEMENT VOLTAGE	7.5V @ 2.0A @ 0.6mm REF.
POWER CONSUMPTION	42 mW @ 12V
BELT TYPE	PVG TYPE
MAXIMUM ALLOWABLE BELT TENSION	150 kgf
PULLEY DIAMETER	Ø130mm ( 5.12 in. )
CLUTCH TYPE	STANDARD

NOTES:  
1. ORIGIN AXIS TO BE ESTABLISHED PARALLEL TO DATUM [E].

REV	NO	DATE	DESCRIPTION	BY	CHK
A			DETAIL CHANGE		

SANDEN	
METRIC	
Part Name	COMPRESSOR
Part No.	4825-AFT-6000
Scale	1/2 A

DO NOT SCALE