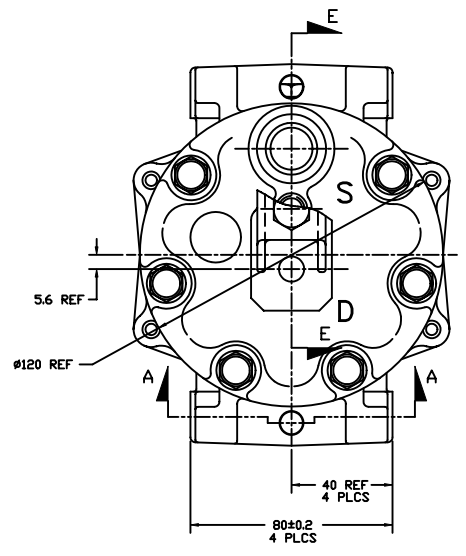
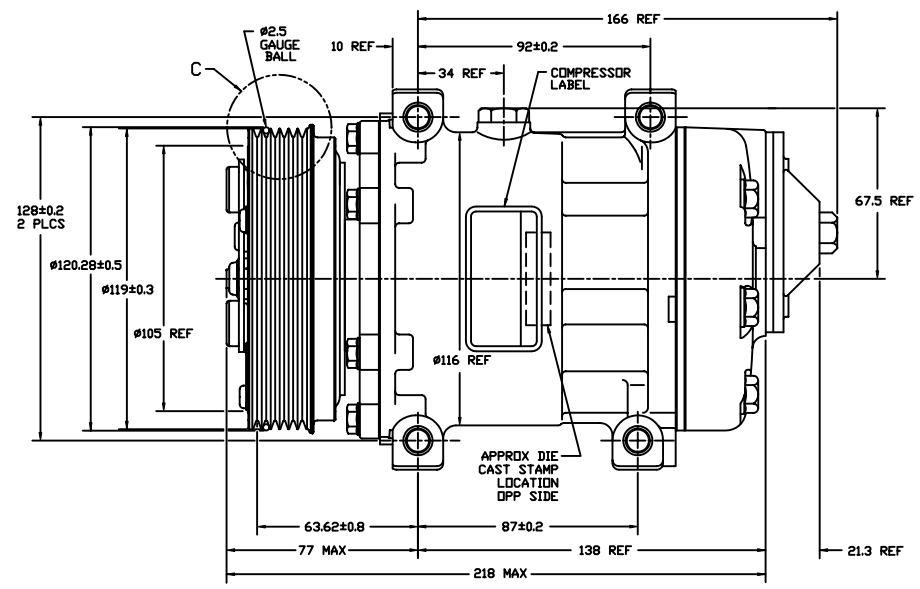
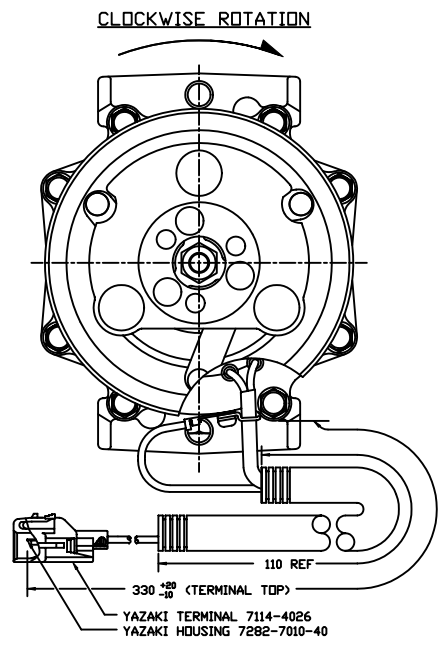
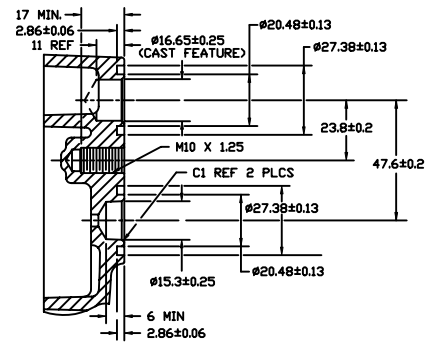
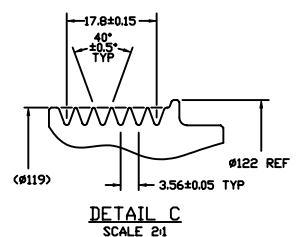
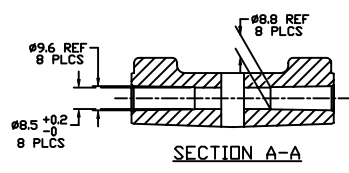


| PRCN | REV | APPV DATE | REVISING        | ENR | ESK | OK | APPV |
|------|-----|-----------|-----------------|-----|-----|----|------|
|      |     |           | INITIAL RELEASE |     |     |    |      |



COMPRESSOR SPECIFICATIONS

|                                     |                                     |
|-------------------------------------|-------------------------------------|
| DISPLACEMENT PER REVOLUTION         | 154.9 cc / rev. ( 9.5cuin. / rev. ) |
| MAXIMUM ALLOWABLE R.P.M.            | 8000 R.P.M.                         |
| MAXIMUM ALLOWABLE CONTINUOUS R.P.M. | 6000 R.P.M.                         |
| REFRIGERANT                         | R134a                               |
| OIL (SP-15)                         | 240cc ± 10cc ( 8.1 floz. )          |
| WEIGHT                              | 7.1 kg ( 15.7lb. )                  |

CLUTCH SPECIFICATIONS

|                                |                              |
|--------------------------------|------------------------------|
| RATED VOLTAGE                  | DC 12V                       |
| BREAKAWAY TORQUE               | 3.5 kgF-m min. @ 12V         |
| MINIMUM ENGAGEMENT VOLTAGE     | 7.5V max @ AIR GAP 0.6mm REF |
| POWER CONSUMPTION              | 49 watts max.                |
| BELT TYPE                      | PV6 TYPE                     |
| MAXIMUM ALLOWABLE BELT TENSION | 120 kgf                      |
| PULLEY DIAMETER                | Ø119 mm ( 4.7 in. )          |
| CLUTCH TYPE                    | STANDARD                     |

|   |                         |  |   |                      |          |
|---|-------------------------|--|---|----------------------|----------|
| A | APPROVED FOR PRODUCTION | <p><b>SANDEN</b><br/>SANDEN INTERNATIONAL (U.S.A.), INC.</p> | <p>100% METRIC</p> <p>THE DRAWING AND THE INFORMATION CONTAINED HEREON ARE CONFIDENTIAL AND PROPRIETARY TO SANDEN INTERNATIONAL (U.S.A.), INC. AND SHALL BE KEPT IN CONFIDENTIAL AND SHALL NOT BE LOANED, REPRODUCED, COPIED, OR DISSEMINATED IN ANY MANNER WITHOUT THE WRITTEN CONSENT OF SANDEN INTERNATIONAL (U.S.A.), INC.</p> <p>INTERPRETATION OF THIS DRAWING PER<br/>ASME Y14.5M-1994</p> <p>THIRD ANGLE PROJECTION</p> | <p>DATE</p> <p>D</p> |          |
|   | DESIGNED BY             |  |   |                      | MATERIAL |
|   | DESIGNED FOR            |  |   |                      | NAME     |
|   | DESIGNED FOR            |  |   |                      | PART NO. |
| A | DO NOT SCALE            | COMPRESSOR   | 4828-AFT-6000   | REV A                |          |