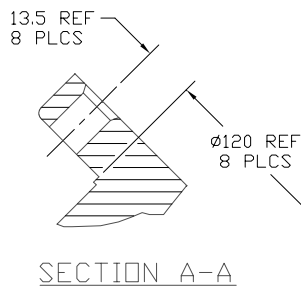
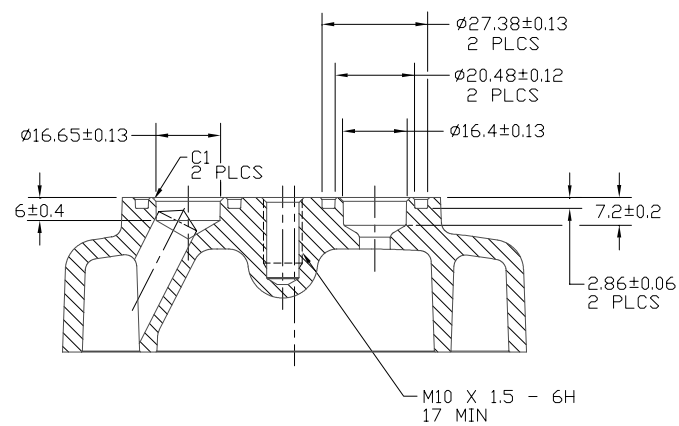


CIRCUIT DIAGRAM

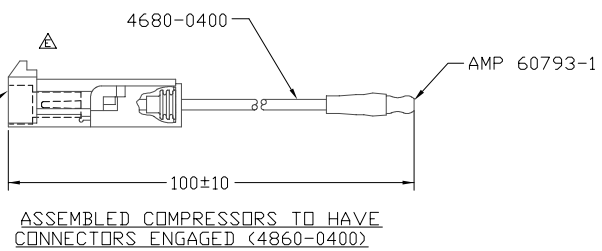
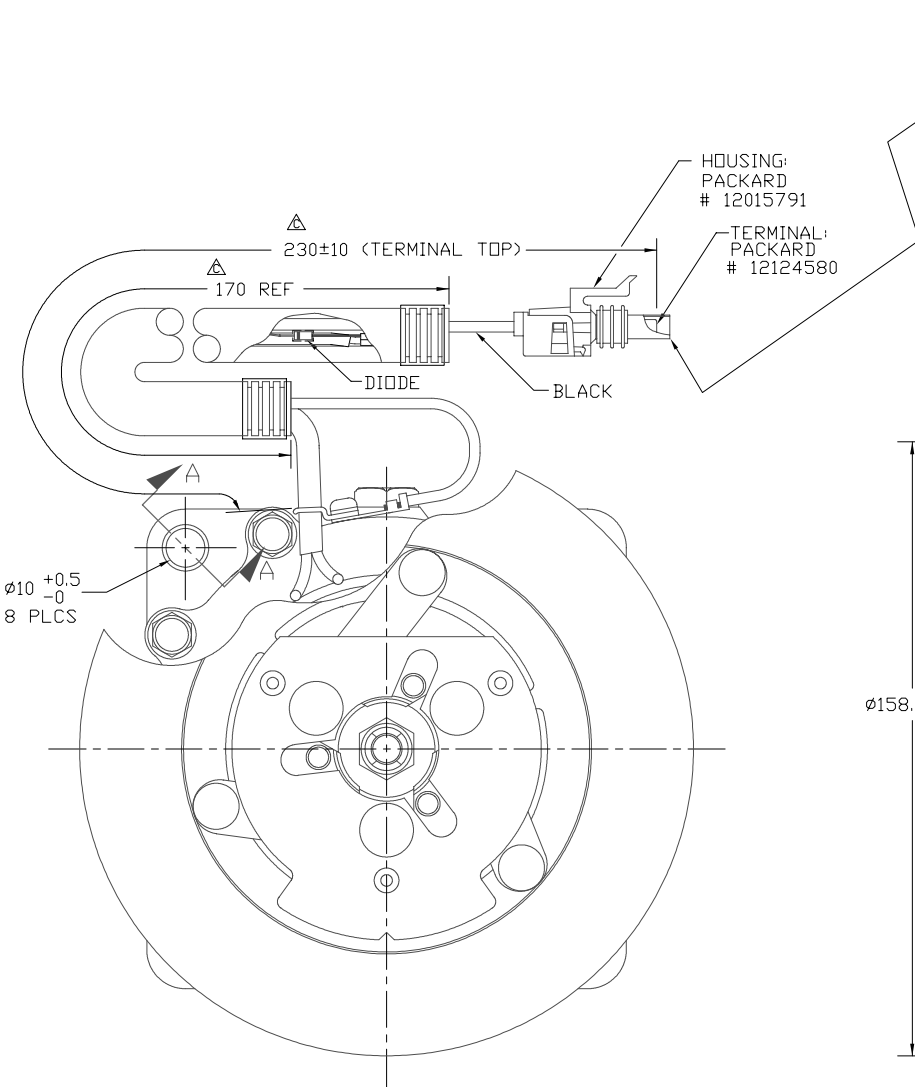


SECTION A-A

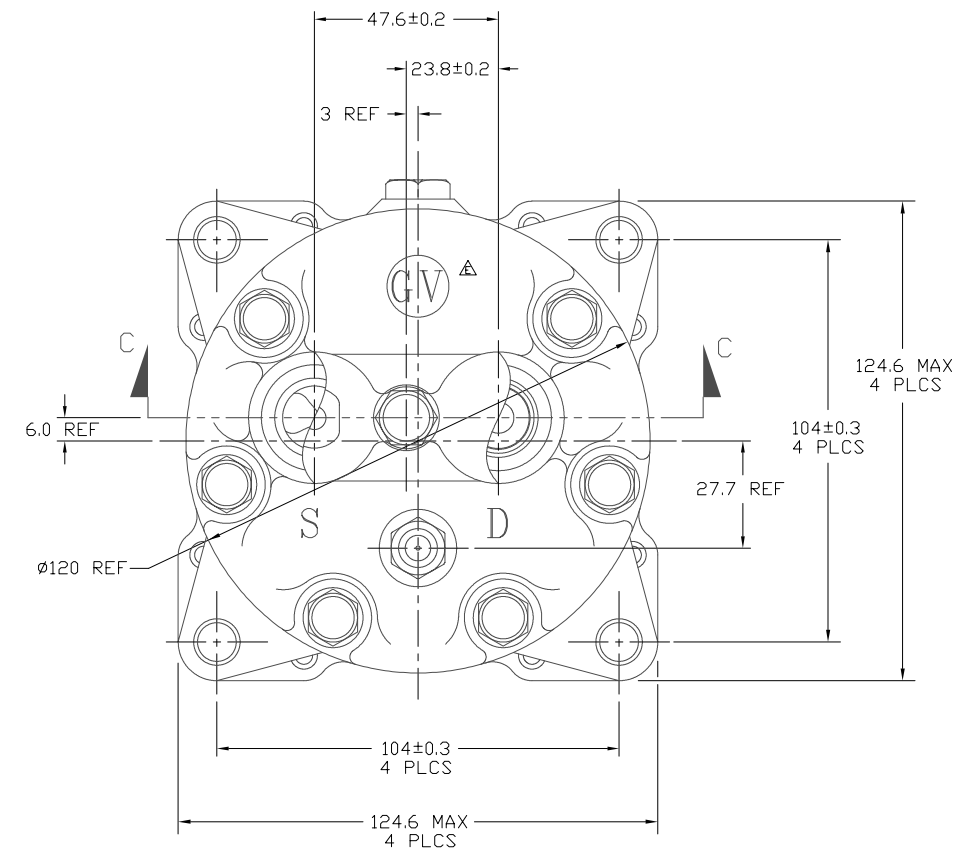
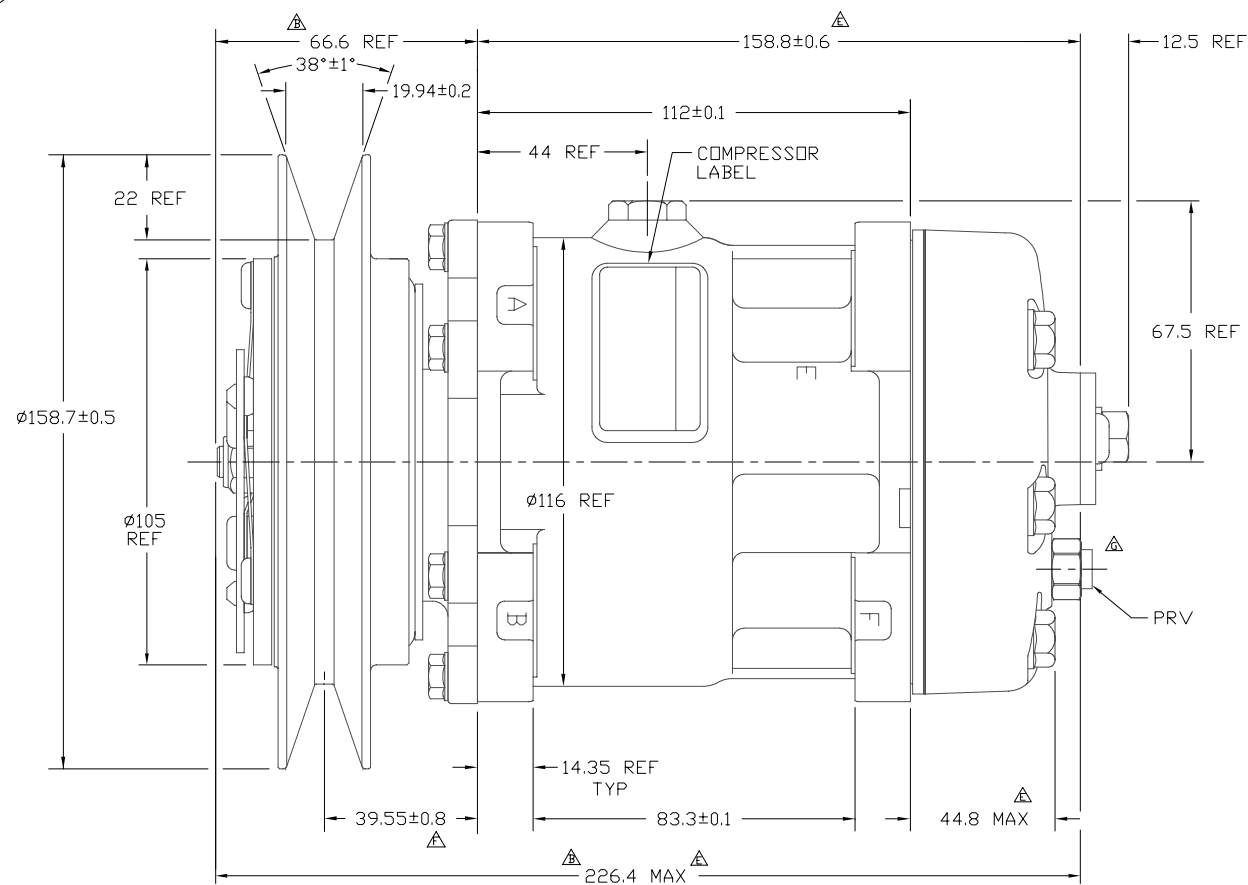


SECTION C-C

(SECTION WITH O-RINGS, SHIPPING PAD ASSEMBLY, AND BOLT REMOVED)



ASSEMBLED COMPRESSORS TO HAVE CONNECTORS ENGAGED (4860-0400)



COMPRESSOR SPECIFICATIONS (REF)

DISPLACEMENT PER REVOLUTION	154.9 cc / rev. ( 9.5cu.in. / rev. )
MAXIMUM ALLOWABLE SPEED	7000 R.P.M.
MAXIMUM ALLOWABLE CONTINUOUS SPEED	6000 R.P.M.
REFRIGERANT	R134A
OIL ( SP-15 )	200 cc ( 6.76 fl.oz. )
WEIGHT	7.6 kg ( 16.8 lb. )

CLUTCH SPECIFICATIONS (REF)

RATED VOLTAGE	DC 12V
BREAKAWAY TORQUE	3.5 kgf-m min. @ 12V
MINIMUM ENGAGEMENT VOLTAGE	7.5V @ AIR GAP 0.6mm
POWER CONSUMPTION	49 watts max.
BELT TYPE	C TYPE
MAXIMUM ALLOWABLE BELT TENSION	60 kgf
PULLEY DIAMETER	158.7 mm ( 6.25 in. )
CLUTCH TYPE	HEAVY DUTY

NOTE:  
1. N<sub>2</sub> HOLDING CHARGE DELETED.

DO NOT SCALE

PDCN	REV.	APPV DATE	REVISIONS	DWN	DSGN	CHK	APPV
			INITIAL RELEASE				
2001112		3/26/01	66.6 REF WAS 67 MAX REMOVED 230 MAX, ADDED 215 MAX	DKC	MH	DRL	DS
2001262		8/1/01	230±10 (TERMINAL TOP) WAS 280 ±20 (TERMINAL TOP) 170 REF WAS 220 REF	DKC	MH	DRL	DS
2001340		11/07/01	OIL SP-15 WAS SP-20	JS	LK	DRL	MY
2002074		03/27/02	REMOVED 'GN' CYLINDER HEAD AND DIMS AND ADDED 'GV' CYLINDER HEAD AND DIMS 226.4 MAX WAS 215 MAX 44.8 MAX WAS 33.4 MAX 158.8±0.6 WAS 147.416 UPDATED SECTION C-C CHANGED VIEW OF WIRING ADAPTOR	RSR	MH	DRL	JC
2002175		6/24/02	39.55±0.8 WAS 39.55±0.3	DRL	MH	DRL	RG
2006310		12/11/06	PRV: 4307-6470 WAS 4967-6470	RSR	JW	DRL	TK

REV. LEVEL	RELEASED FOR: ENGG. DEVELOPMENT	<p>SANDEN INTERNATIONAL ( U.S.A. ), INC.</p>
DSGN	Mark Harrington	
APPV	John Sokolowski	<p>SCALE REF 1:1 PLOTTED SCALE REF NONE METRIC</p> <p>This drawing and the information contained hereon are CONFIDENTIAL and PROPRIETARY to Sanden International (U.S.A.), Inc., are received in CONFIDENCE and shall not be used, copied, or disclosed to others without the written permission of Sanden International (U.S.A.), Inc.</p>
CHK	2/23/01 Dennis Lee	
APPV	D. Seals	<p>INTERPRETATION OF THIS DRAWING PER ASME Y14.5M-1994</p> <p>THIRD ANGLE PROJECTION</p>
DATE	2/23/01	
REV. LEVEL	RELEASED FOR: DESIGN VALIDATION	MATERIAL:
DSGN	Mark Harrington	
APPV	D. Seals	NAME:
DATE	2/23/01	
REV. LEVEL	RELEASED FOR: PRODUCTION VAL'D.	COMPRESSOR
DSGN	Mark Harrington	
APPV	D. Seals	DWG. NO. 4868-6000
DATE	2/23/01	
REV. LEVEL	RELEASED FOR: PRODUCTION	REV. G
DSGN	Mark Harrington	
APPV	Robert Garver	
DATE	6/24/02	