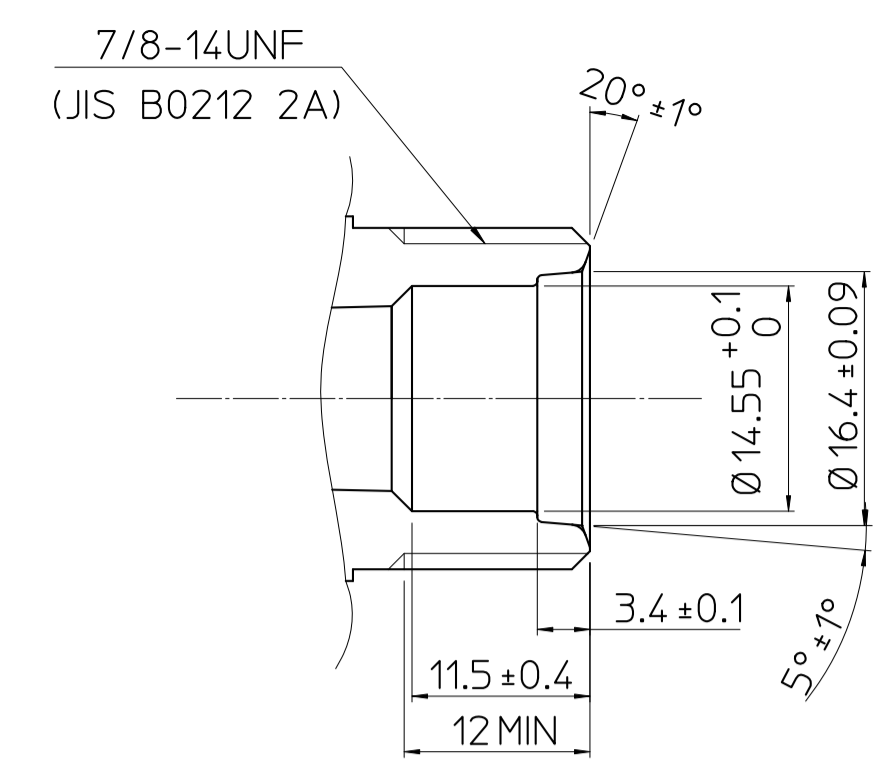
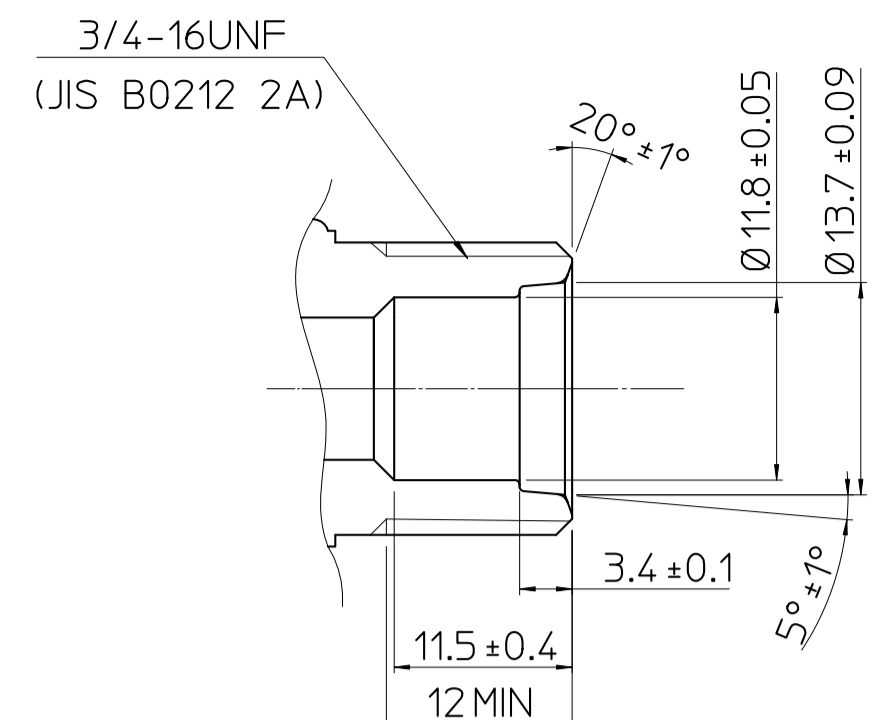


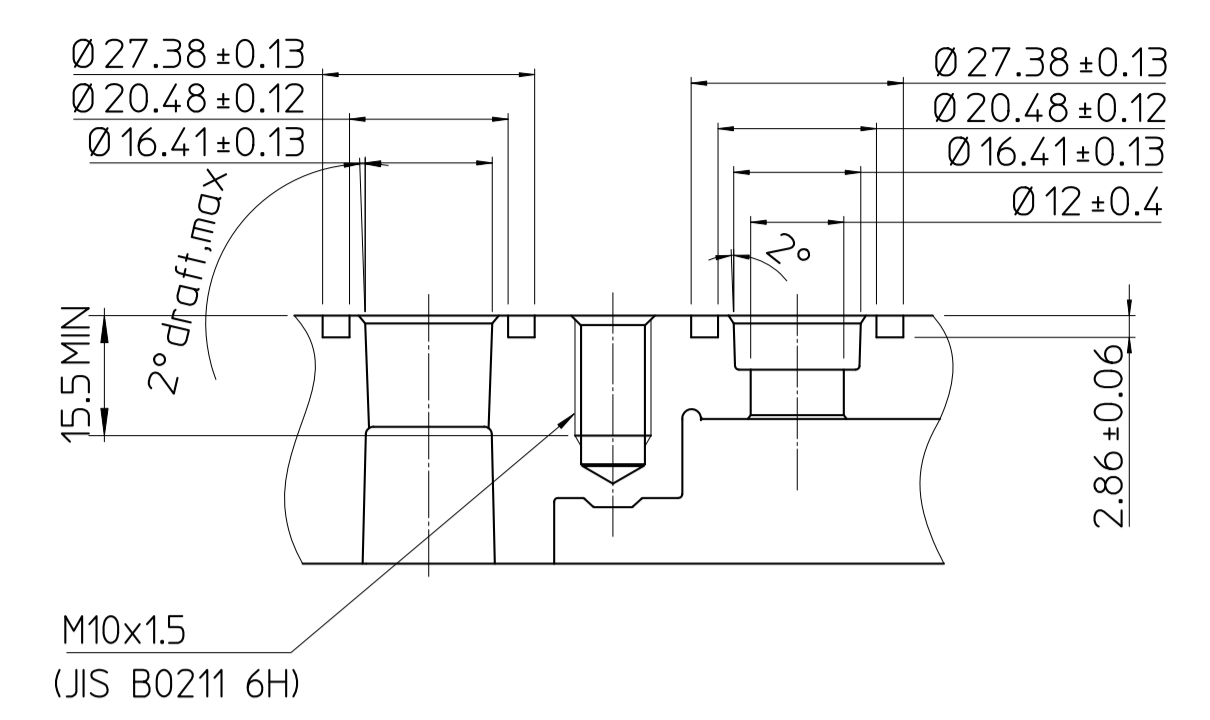
PARTIAL SECT A-A



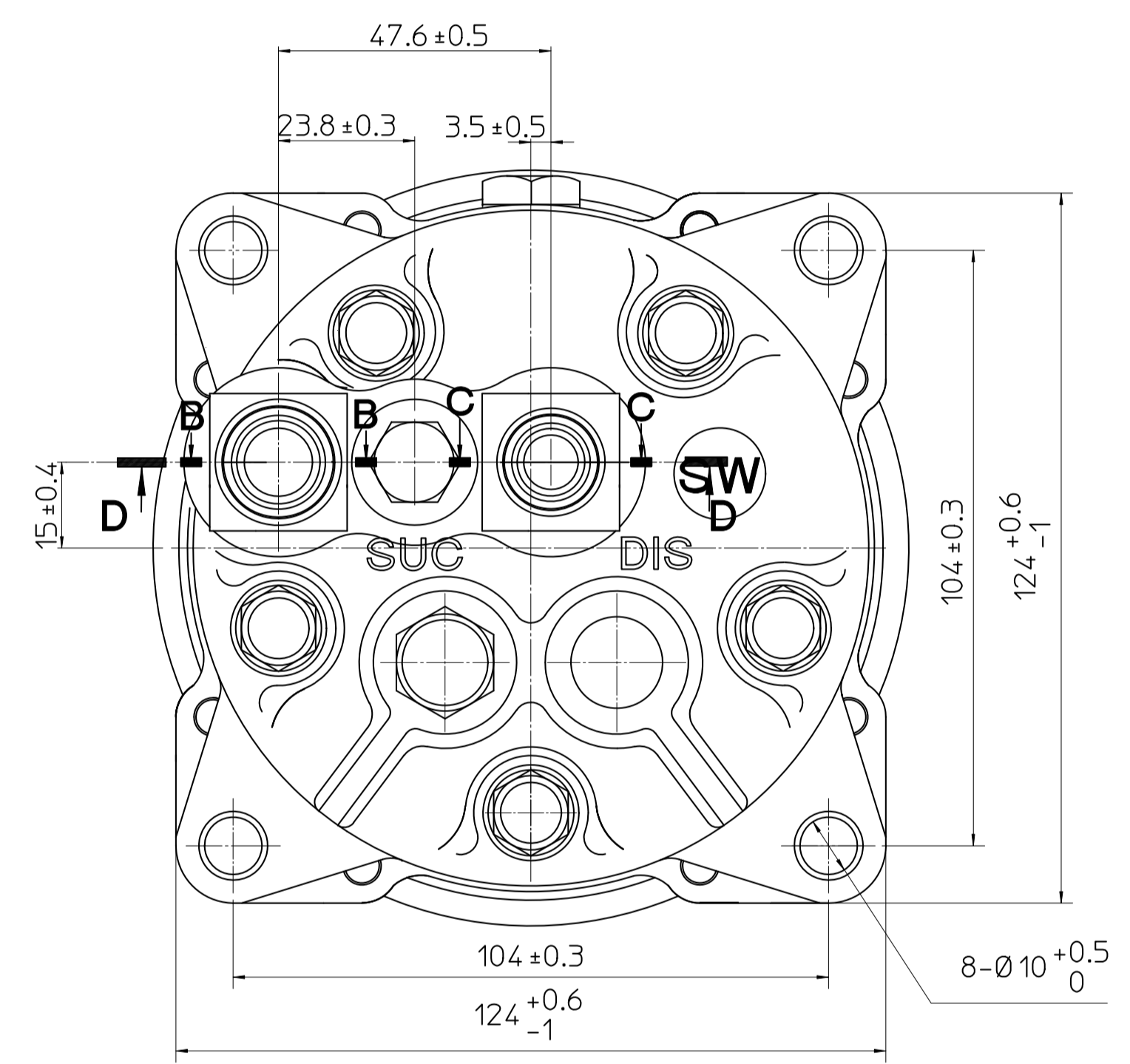
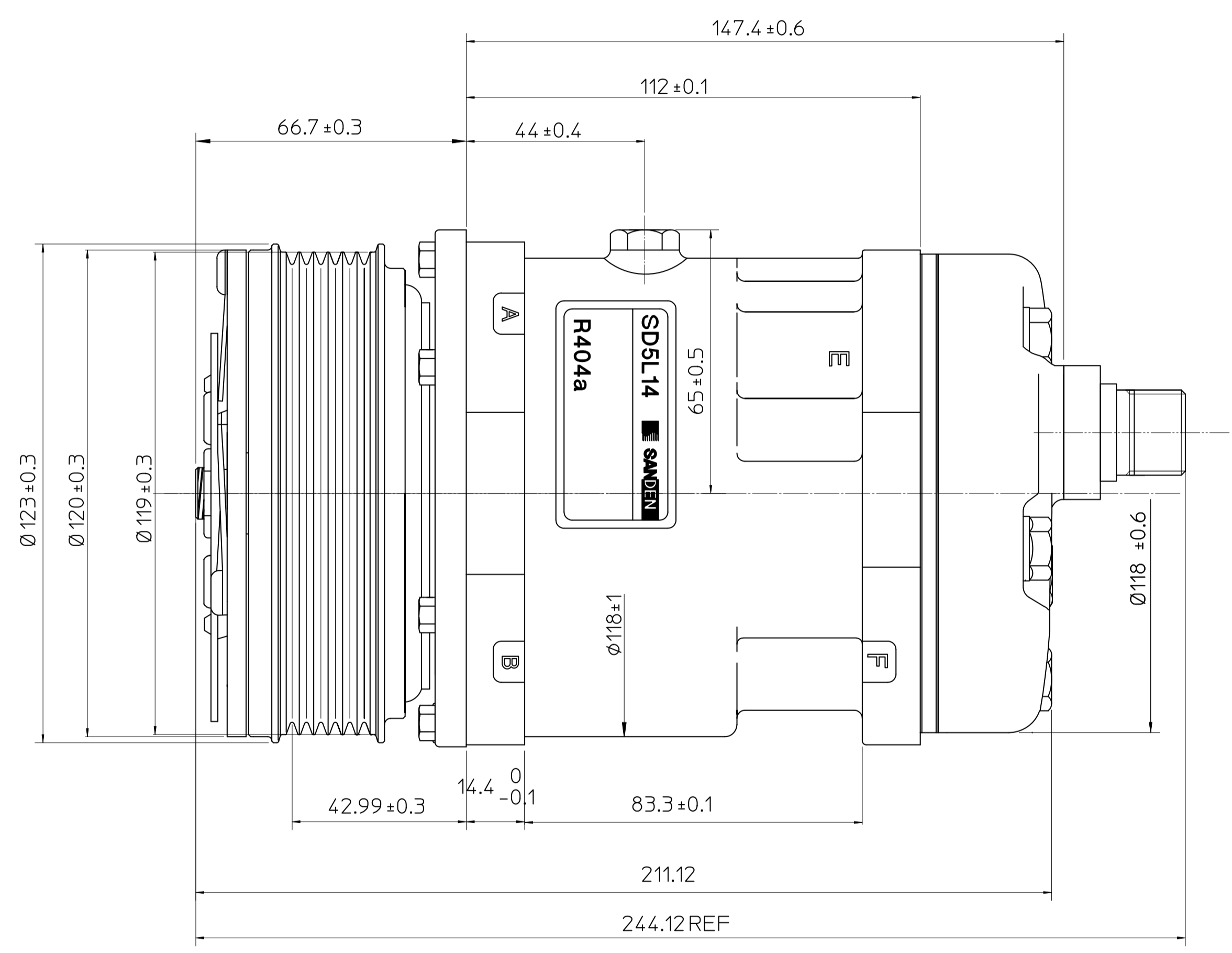
B-B(2:1)



C-C(2:1)



PARTIAL SECT D-D (2:1)

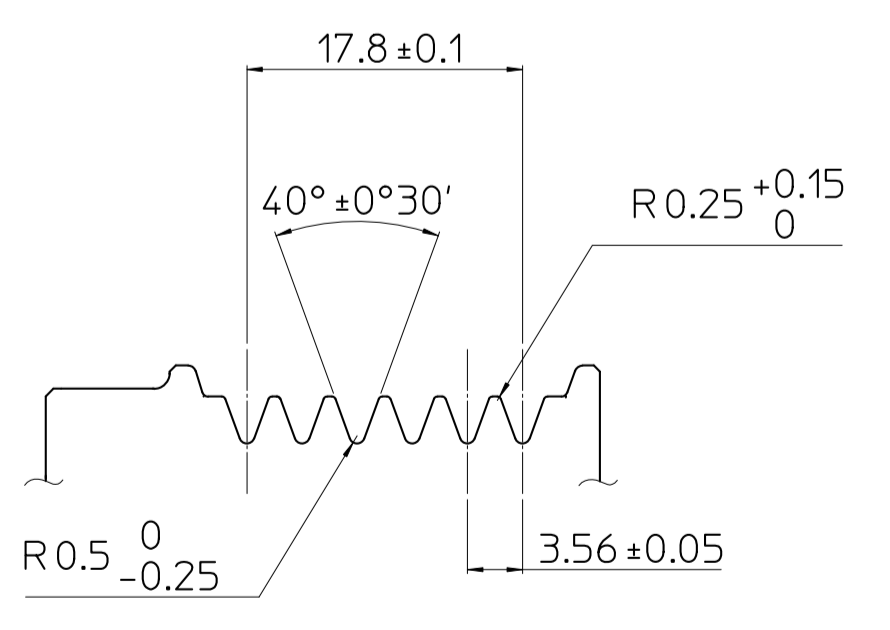


COMPRESSOR SPECIFICATIONS

BORE	Ø35 mm
STROKE	28.6 mm
DISPLACEMENT PER REVOLUTION	138 cc/rev
NUMBER OF CYLINDERS	5
MAXIMUM ALLOWABLE r.p.m.	4000 r.p.m.
MAXIMUM ALLOWABLE CONTINUOUS r.p.m.	3000 r.p.m.
REFRIGERANT	R404a
OIL (POE MOBIL ARTIC 68)	0 cc
ROTATION (CLUTCH SIDE VIEW)	CLOCKWISE
WEIGHT	kg

CLUTCH SPECIFICATIONS

RATED VOLTAGE	DC 12 V
BREAKAWAY TORQUE	3.5 kg-m
MINIMUM ENGAGEMENT VOLTAGE	7.5V max
POWER CONSUMPTION	50 W(AL)
MAXIMUM ALLOWABLE r.p.m.	4000 r.p.m.
MAXIMUM ALLOWABLE CONTINUOUS r.p.m.	3000 r.p.m.
BELT TYPE	PV
PULLEY DIAMETER	Ø119mm
WEIGHT	kg



DETAIL OF ROTOR GROOVE(2:1)

PRESSURE RELIEF VALVE SPECIFICATION

RELIEF PRESSURE	MINIMUM 35.7kgf/cm2G MAXIMUM 41.8kgf/cm2G
EXHAUST FLOW	MINIMUM 113NL/min at 44.8kgf/cm2G
RESEALED PRESSURE	MINIMUM 30.7kgf/cm2G

MATERIAL		DIMENSION		FINISH	
DESIGNED	CHECKED	APPROVED	NAME	COMPRESSOR	
余永明	陈耀发	刘俊辉	MODEL	SD5L14SW5367HT	
15.04.08	05.05.08	06.05.2008	DWG.No.	5367HT-6000S	
No.	DATE	REVISION	SIGN.		
THIRD ANGLE PROJECTION	SCALE	1:1	DATE	19.03.2008	