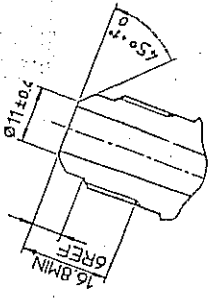
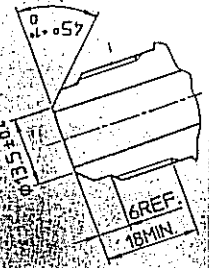
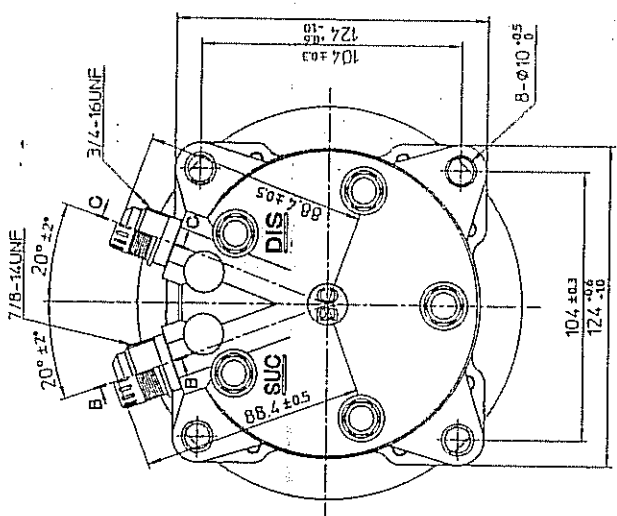


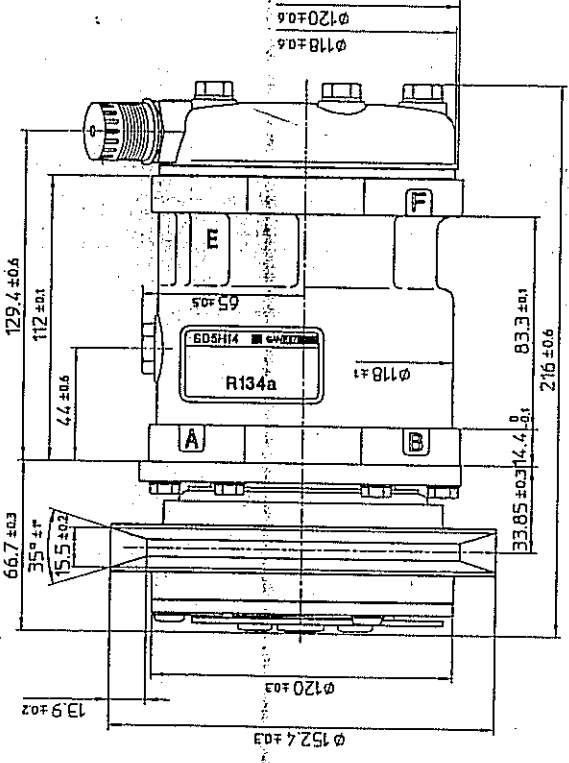
RECEIVED
01 MAR 1995
SIS
DRAWING



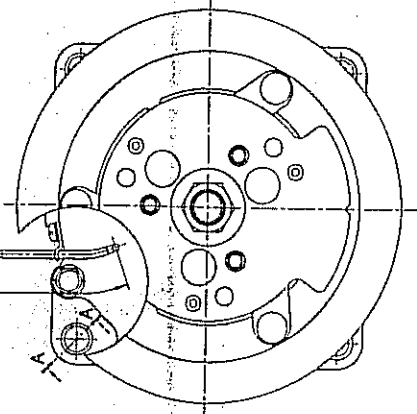
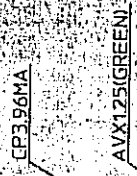
PARTIAL SECT. C-C (2:1)



PARTIAL SECT. B-B (2:1)



PARTIAL SECT. A-A



CLUTCH SPECIFICATIONS

RATED VOLTAGE	DC 24 V
BREAKAWAY TORQUE	3.5 kg-m (25.3 ft-lb)
POWER ENGAGEMENT VOLTAGE	16 V MAX
POWER CONSUMPTION	42 W (CU)
MAXIMUM ALLOWABLE RPM	7000 RPM
MAXIMUM ALLOWABLE CONTINUOUS RPM	6000 RPM
REFRIGERANT	R-134a
WARRANTY	1 YEAR
WARRANTY TYPE	B
WARRANTY DURATION	60 HOURS
WARRANTY DURATION	60 HOURS
WARRANTY DURATION	60 HOURS

COMPRESSOR SPECIFICATIONS

STROKE	Q72	mm (in)	1.38 (0.054)
DISPLACEMENT PER REVOLUTION	21.6	cm ³ (1.32 cu in)	
NUMBER OF CYLINDERS	5	cm ³ /REV (1.32 cu in/REV)	
MAXIMUM ALLOWABLE RPM	7000	RPM	
MAXIMUM ALLOWABLE CONTINUOUS RPM	6000	RPM	
REFRIGERANT	R-134a		
WARRANTY	D5	yr (1.4 mo)	
WEIGHT		kg (1 lb)	

MATERIAL: 6624
SCALE: 1:1
DATE: 13 Feb 1995
DRAWN BY: S. J. ...
CHECKED BY: ...
DATE: 14 FEB 1995
PART NO: 6624 - 6000
COMPRESSOR
SD5H14BC6624
6624 - 6000