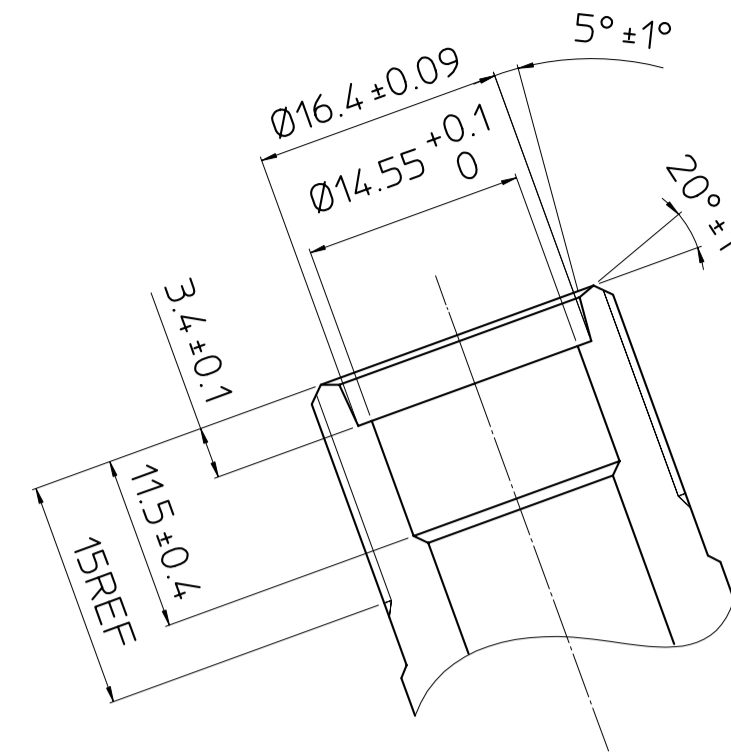
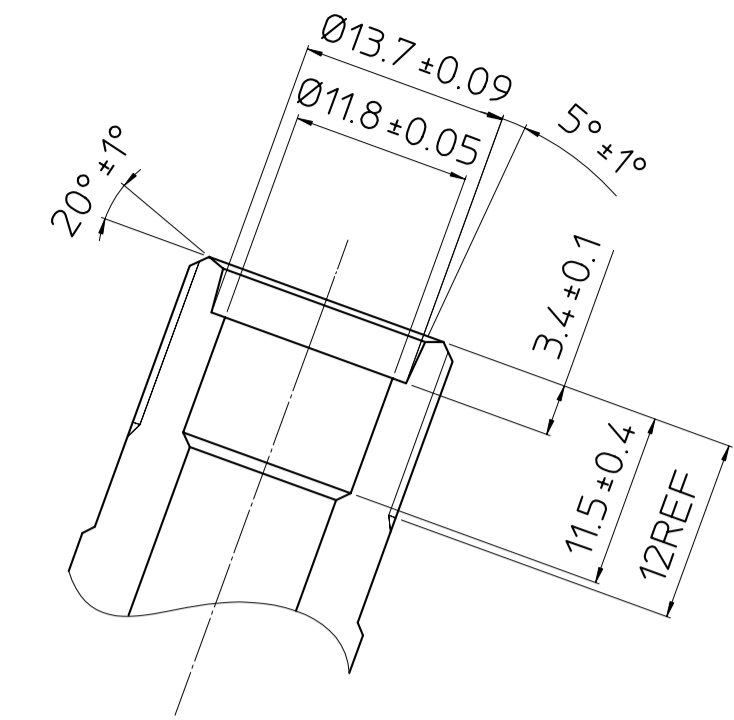


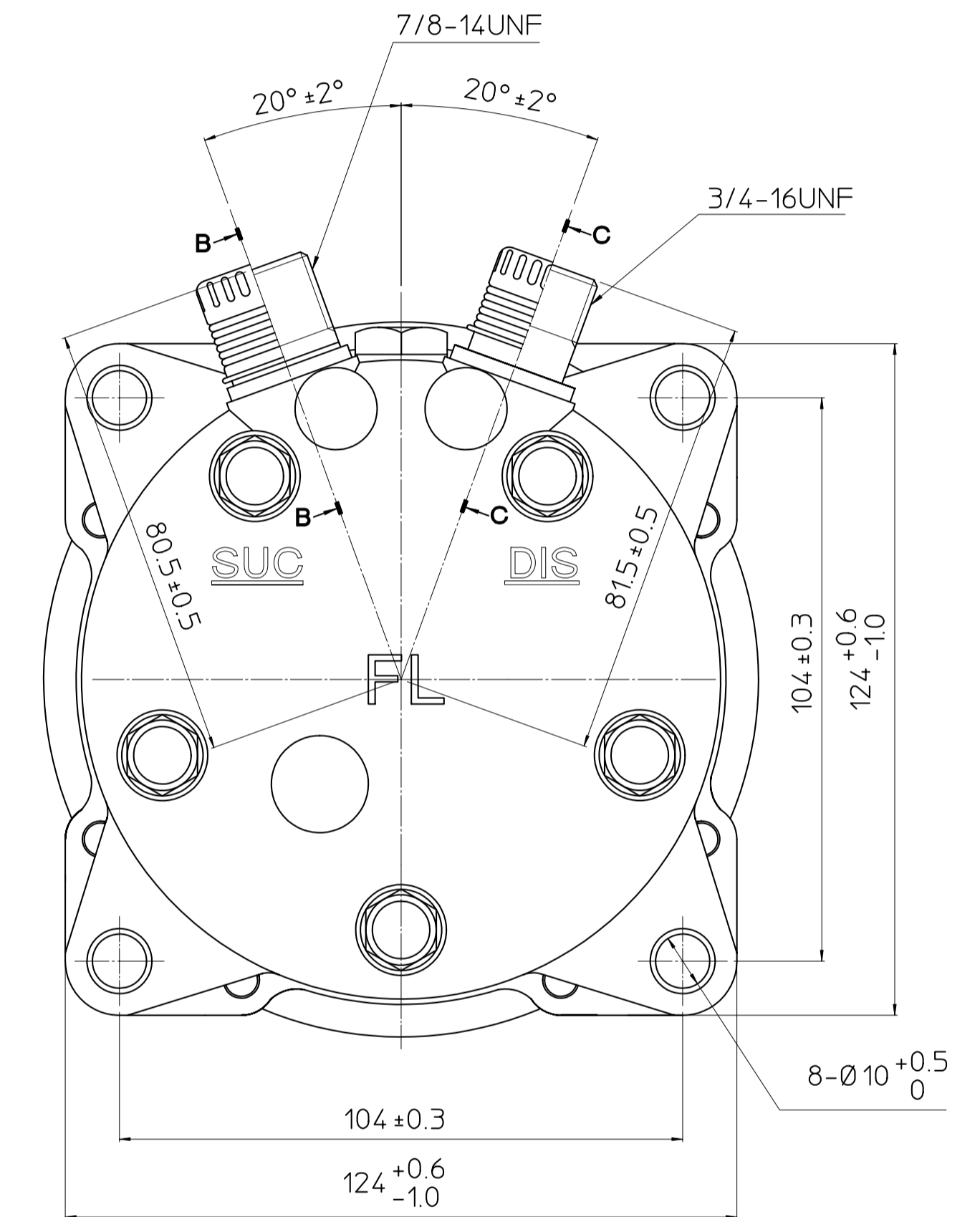
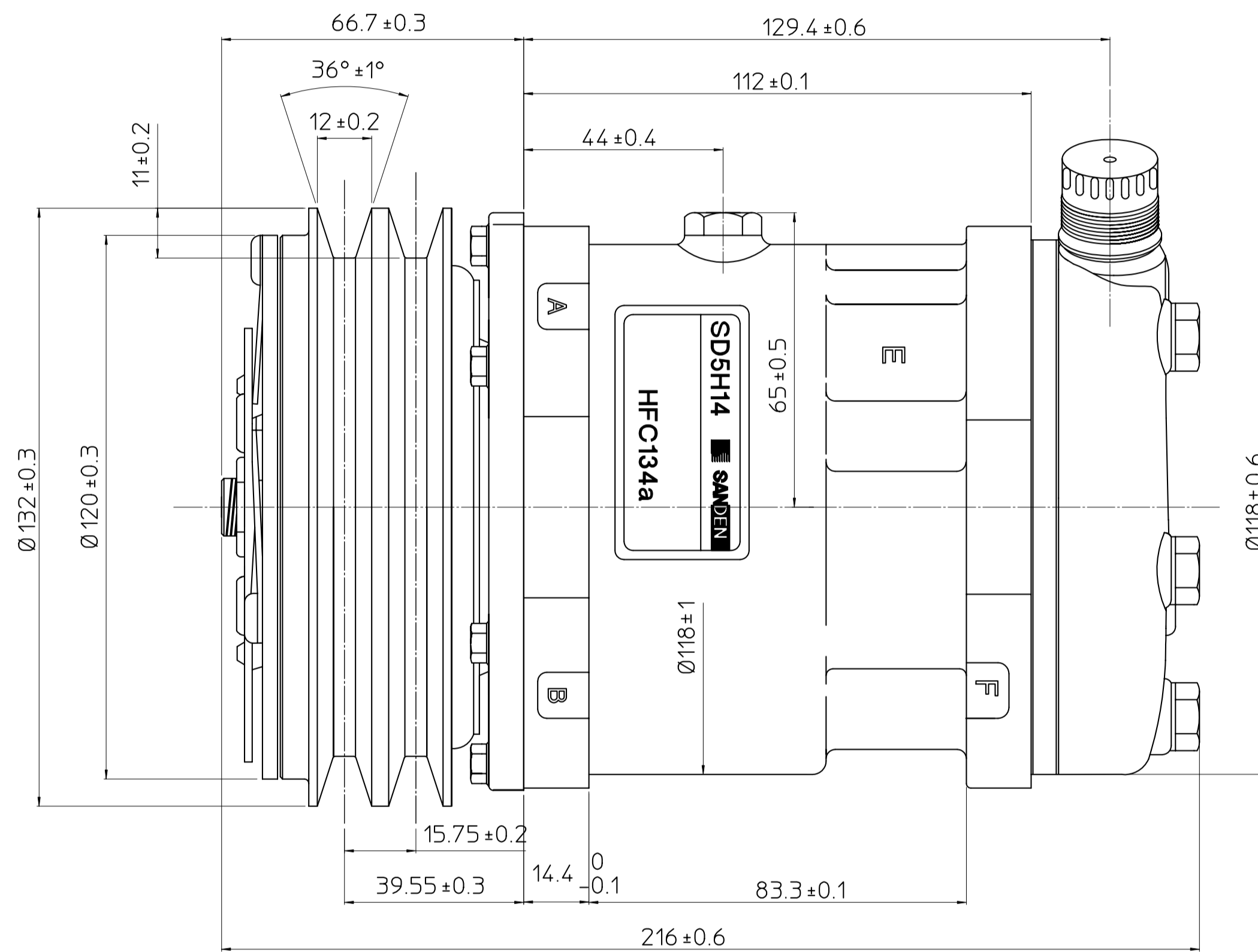
PARTIAL SECT A-A



PARTIAL SECT B-B (2:1)



PARTIAL SECT C-C (2:1)



**NOTICE**

These drawings or print contains proprietary and confidential information and is made available to the Recipient on expressed and specific conditions that neither it nor the information contained therein shall be disclosed or made available to any third party(s) without the expressed and specific written consent of Sanden International (Singapore) Pte Ltd. These drawings or print shall not be copied or duplicated in any manner or to any extent without Sanden's prior expressed and specific written consent.

**COMPRESSOR SPECIFICATIONS**

BORE	Ø35 mm
STROKE	28.6 mm
DISPLACEMENT PER REVOLUTION	138 cc/rev
NUMBER OF CYLINDERS	5
MAXIMUM ALLOWABLE r.p.m.	7000 r.p.m.
MAXIMUM ALLOWABLE CONTINUOUS r.p.m.	6000 r.p.m.
REFRIGERANT	HFC134a
OIL (SP-20 OR EQUIV.)	175 cc
ROTATION (CLUTCH SIDE VIEW)	CLOCKWISE
WEIGHT	kg

**CLUTCH SPECIFICATIONS**

RATED VOLTAGE	DC 12 V
BREAKAWAY TORQUE	3.5 kg-m
MINIMUM ENGAGEMENT VOLTAGE	7.5 V max
POWER CONSUMPTION	50 W (AL)
MAXIMUM ALLOWABLE r.p.m.	7000 r.p.m.
MAXIMUM ALLOWABLE CONTINUOUS r.p.m.	6000 r.p.m.
BELT TYPE	A2
PULLEY DIAMETER	Ø132 mm
WEIGHT	kg



△				MATERIAL	PART NO.	NAME
△					6668	COMPRESSOR
△				THIRD ANGLE PROJECTION	SCALE	1:1
△				DESIGN BY	CHECKED BY	APPROVED BY
△				邹顺发	邹顺发	邹顺发
△				23.07.2008	23.07.2008	23.07.2008
No.	REVISION RECORD	BY	DATE	Raymond	Raymond	Raymond
						MODEL: SDSH14FL6668
						DRAWING NO: 6668-6000S