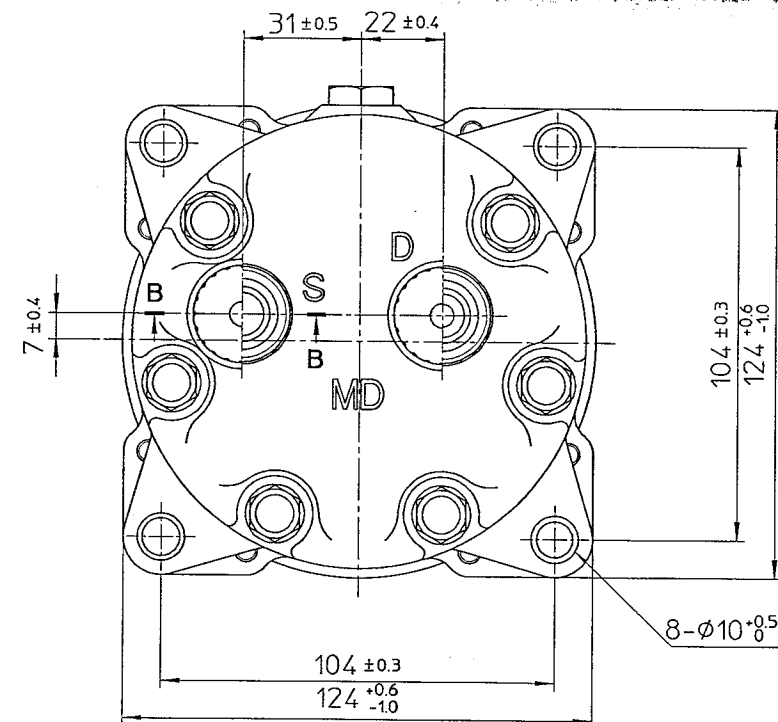
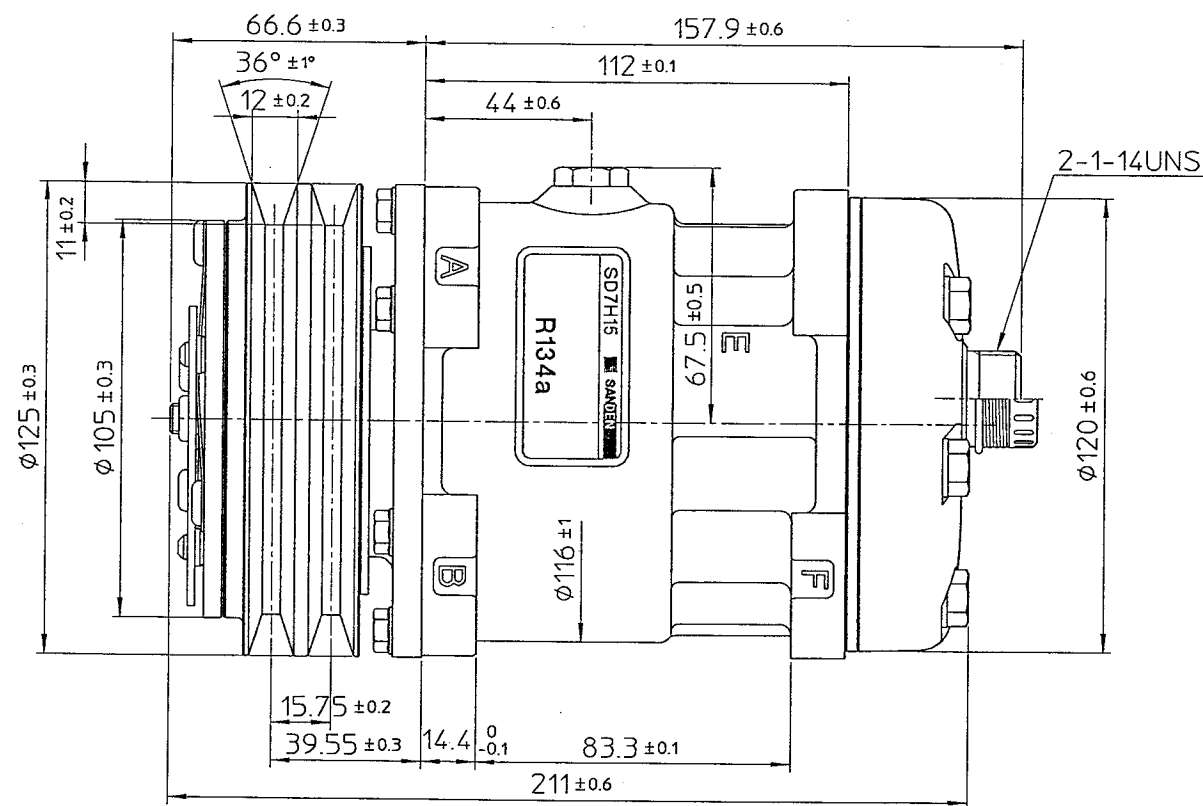


SEE MASTER DRAWING

CHECKED AND APPROVED BY

J. Mitchell

DATE 29-9-99



**COMPRESSOR SPECIFICATIONS**

BORE	Ø 29.3 mm ( 1.15 in.)
STROKE	32.8 mm ( 1.29 in.)
DISPLACEMENT PER REVOLUTION	154.9 cc/rev.( 9.5 cu.in./rev.)
NUMBER OF CYLINDERS	7
MAXIMUM ALLOWABLE r.p.m.	7000 r.p.m.
MAXIMUM ALLOWABLE CONTINUOUS r.p.m.	6000 r.p.m.
REFRIGERANT	R-134a
OIL : SANDEN (PAG)	150 cc ( 5.3 fl.oz.)
WEIGHT	kg ( lb)

**CLUTCH SPECIFICATIONS**

RATED VOLTAGE	DC 12 V
BREAKAWAY TORQUE	3.5 kg-m ( 25.3 ft-lb)
MINIMUM ENGAGEMENT VOLTAGE	7.5 V MAX.
POWER CONSUMPTION	49 W ( CU )
MAXIMUM ALLOWABLE r.p.m.	7000 r.p.m.
MAXIMUM ALLOWABLE CONTINUOUS r.p.m.	6000 r.p.m.
BELT TYPE	A TYPE
PULLEY DIAMETER	Ø125 mm ( 4.92 in.)
WEIGHT	kg ( lb)

**UNCONTROLLED COPY**

MATERIAL	PART NO. 7819	NAME COMPRESSOR
THIRD ANGLE PROJECTION	SCALE 1:1	MODEL SD7H15MD7819
DESIGN BY	DATE 23-JUL-1992	DRAWING NO. 7819-6000
CHECKED BY	DATE 24-JUL-1992	
REVISION RECORD	BY DATE	