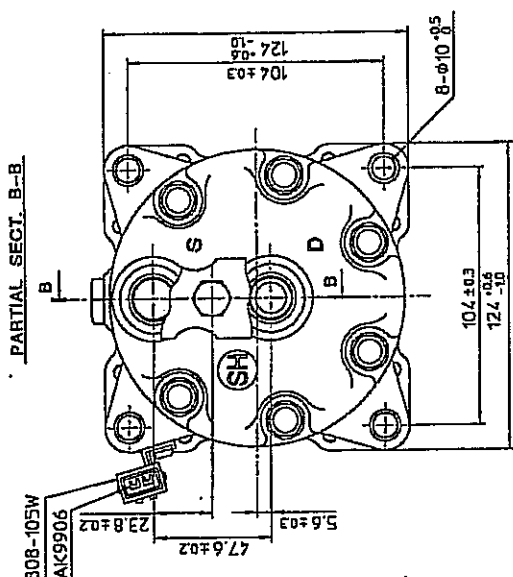
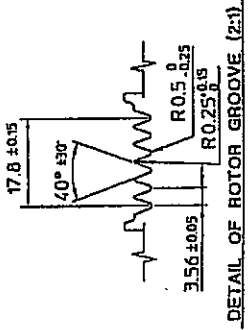


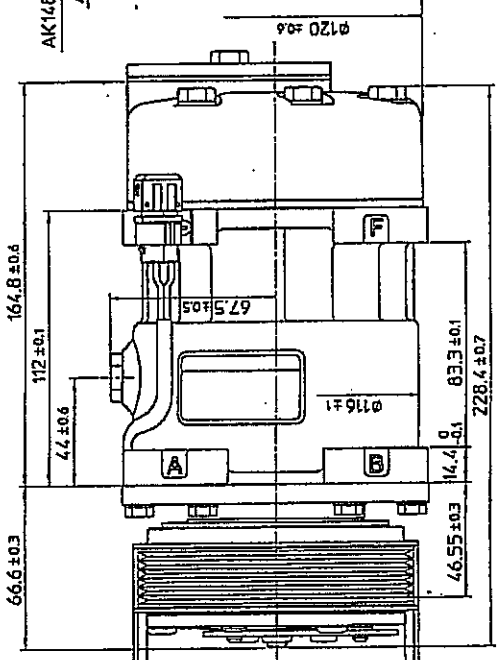
PARTIAL SECT. B-B



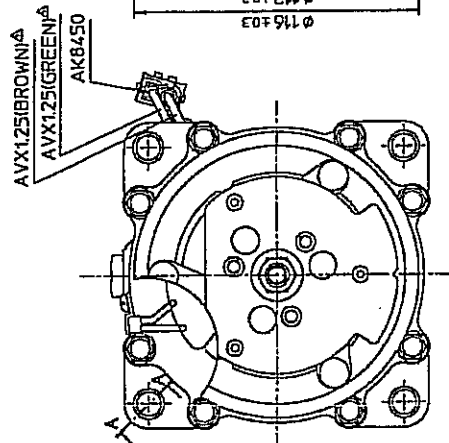
AK1480B-105W



DETAIL OF ROTOR GROOVE (2:1)



PARTIAL SECT. A-A



CLUTCH SPECIFICATIONS

RATED VOLTAGE	DC 12 V
BREAKAWAY TORQUE	3.5 In.cm I 25.3 In.lbf
POWER ENGAGEMENT VOLTAGE	10 V MAX
POWER DISengagement	2000 mA
MAXIMUM ALLOWABLE CONTINUOUS LINE CURRENT	2000 mA
SWITCH TYPE	PNP LINE
VALLEY PULSELEN	φ17 mm I 4.4 in
WEIGHT	80 g

COMPRESSOR SPECIFICATIONS

BORNE	φ 29.3 mm I 1.15 in
STROKE	37.0 mm I 1.49 in
DISPLACEMENT PER REVOLUTION	52.9 cc/rev I 3.25 in ³ /rev
NUMBER OF CYCLES	7000 /min
MAXIMUM ALLOWABLE TORQUE	4000 In.lbf
WEIGHT	1375 g I 3.04 lb
HEIGHT	112 mm I 4.41 in

60.95

REVISION	DATE	BY	REASON
1	17 AUG 71	TH	CHANGED COLOR OF LEAD WIRES RED TO GREEN/BLACK
2	7 SEP 71	TH	REVISION
3			
4			
5			
6			
7			
8			
9			
10			

COMPRESSOR

SD7H15SH7820
7820-6000 A

SANDEN GREEN INTERNATIONAL CORPORATION