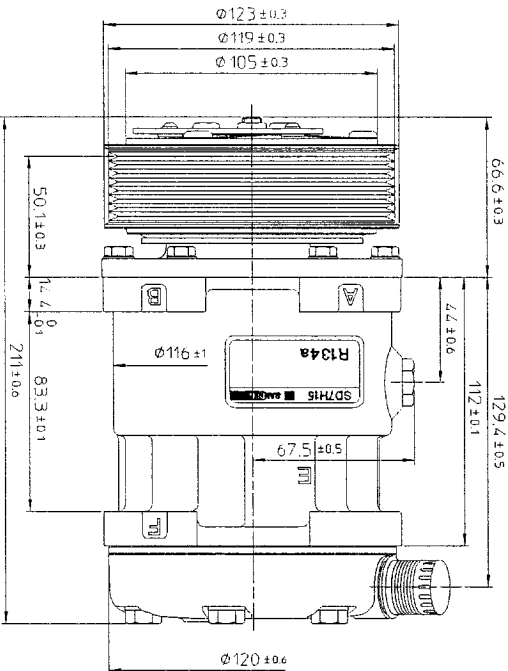


COMPRESSOR SPECIFICATIONS

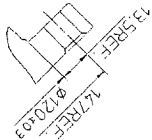
ROSE	6	70.3	mm
STROKE	37.8	mm	
DISPLACEMENT PER REVOLUTION	63.9	cc/rev	
ROTATION		CLOCKWISE	
NUMBER OF CYLINDERS	7		
MAXIMUM ALLOWABLE RPM	7000	rpm	
MAXIMUM ALLOWABLE CONTINUOUS RPM	6000	rpm	
REFRIGERANT	R-134a		
OIL SP. 20	93	cc	
WEIGHT		kg	5.9



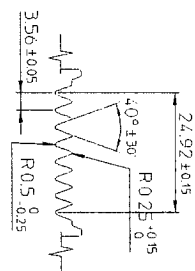
CLUTCH SPECIFICATIONS

RAISED VOLTAGE	DC 12 V
BREAKAWAY TORQUE	3.5 N·m
MINIMUM ENGAGEMENT VOLTAGE	7.5 V MAX
POWER CONSUMPTION	49 W (CU)
MAXIMUM ALLOWABLE RPM	7000 rpm
MAXIMUM ALLOWABLE CONTINUOUS RPM	6000 rpm
BELT TYPE	PV TYPE
PULLEY DIAMETER	Ø119 mm
WEIGHT	kg

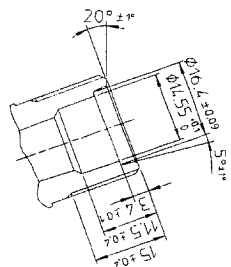
PARTIAL SECT. A-A



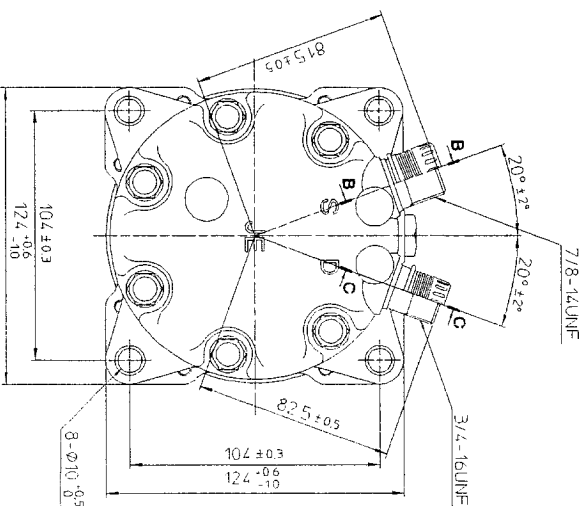
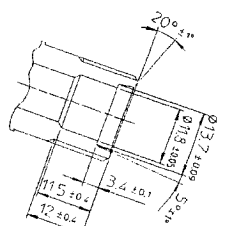
DETAIL OF ROTOR GROOVE (2:1)



PARTIAL SECT. B-B(2:1)



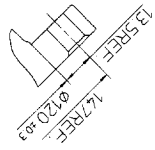
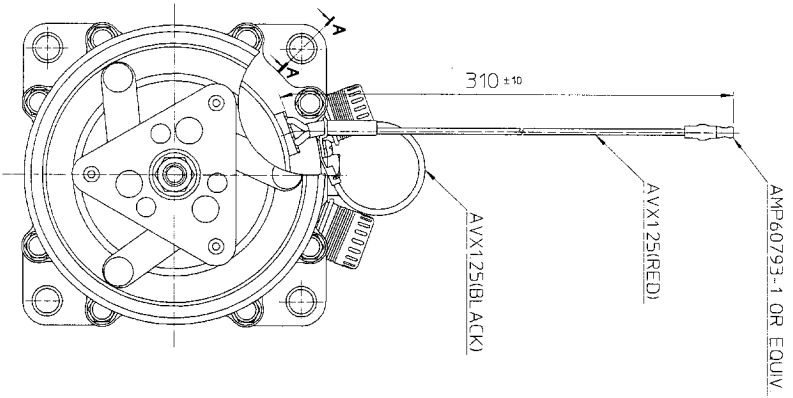
PARTIAL SECT. C-C(2:1)



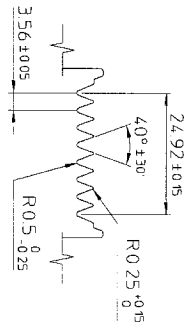
This is what is on order

Part No.	7890	COMPRESSOR
Scale	1:1	
Drawn By	SD7H15JET/890	
Checked By		
Date		
Part No.	7890 - 6000	
Date		

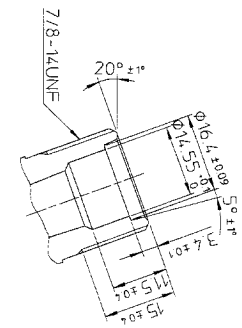
SANDEN SANDEN CORPORATION SANDEN INTERNATIONAL Corp. 24100



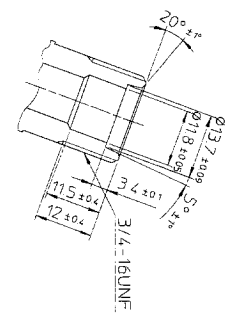
PARTIAL SECT. A-A



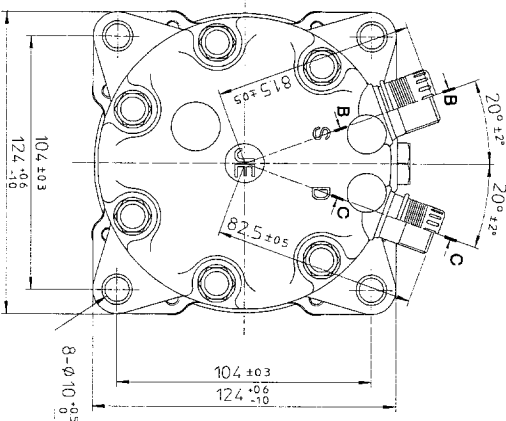
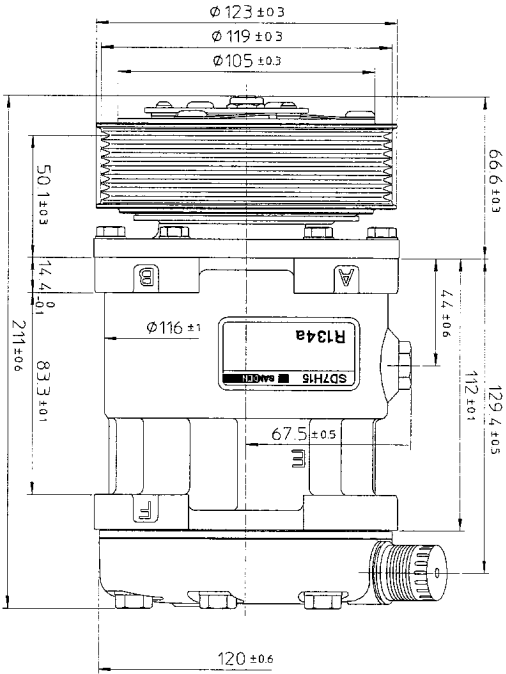
DETAIL OF ROTOR GROOVE (2:1)



PARTIAL SECT. B-B(2:1)



PARTIAL SECT. C-C(2:1)



COMPRESSOR SPECIFICATIONS

BORNE	Ø29.3	mm
STROKE	37.8	mm
DISPLACEMENT PER REVOLUTION	154.9	cc/REV
ROTATION	CLOCKWISE	
NUMBER OF CYLINDERS	2	
MAXIMUM ALLOWABLE CONTINUOUS RPM	7000	r.p.m.
MAXIMUM ALLOWABLE CONTINUOUS I.P.M.	4000	I.P.M.
REFRIGERANT	R-134a	
OIL SP. TO OR EQUIV.	35	cc
WEIGHT	59	

CLUTCH SPECIFICATIONS

RATED VOLTAGE	DC 12 V	
BREAKAWAY TORQUE	3.5	Kg-m
MINIMUM ENGAGEMENT VOLTAGE	7.5	V MAX
POWER CONSUMPTION	4.3	W @ CU I
MAXIMUM ALLOWABLE RPM	7000	r.p.m.
MAXIMUM ALLOWABLE CONTINUOUS RPM	5000	r.p.m.
WAVELENGTH	470	nm
SOLENOID DIAMETER	Ø19	mm
WEIGHT	59	kg

REV	DATE	BY	DESCRIPTION	SCALE	PART NO.	REV
1				1:1	8028	
2						
3						
4						
5						
6						
7						
8						
9						
10						
11						
12						
13						
14						
15						
16						
17						
18						
19						
20						
21						
22						
23						
24						
25						
26						
27						
28						
29						
30						
31						
32						
33						
34						
35						
36						
37						
38						
39						
40						
41						
42						
43						
44						
45						
46						
47						
48						
49						
50						

COMPRESSOR
 SD7H15JE8028
 8028 - 8000
 SANDEN CORPORATION
 SANDEN INTERNATIONAL CORPORATION