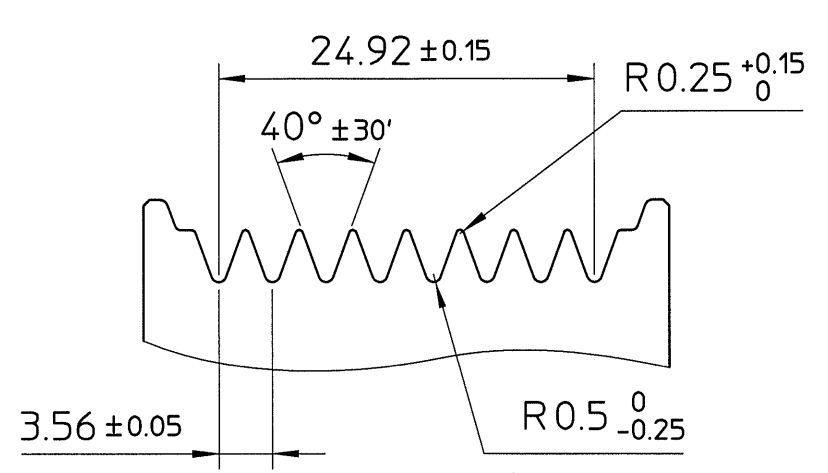
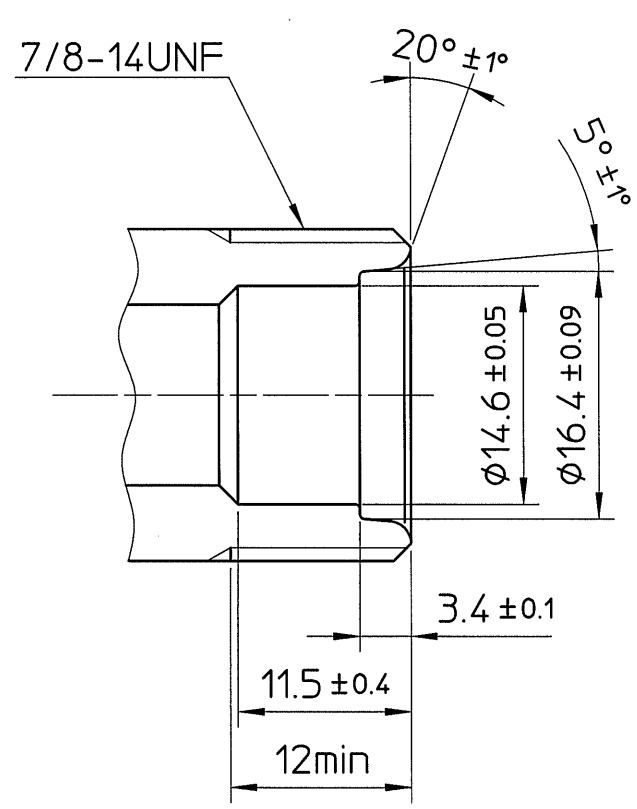


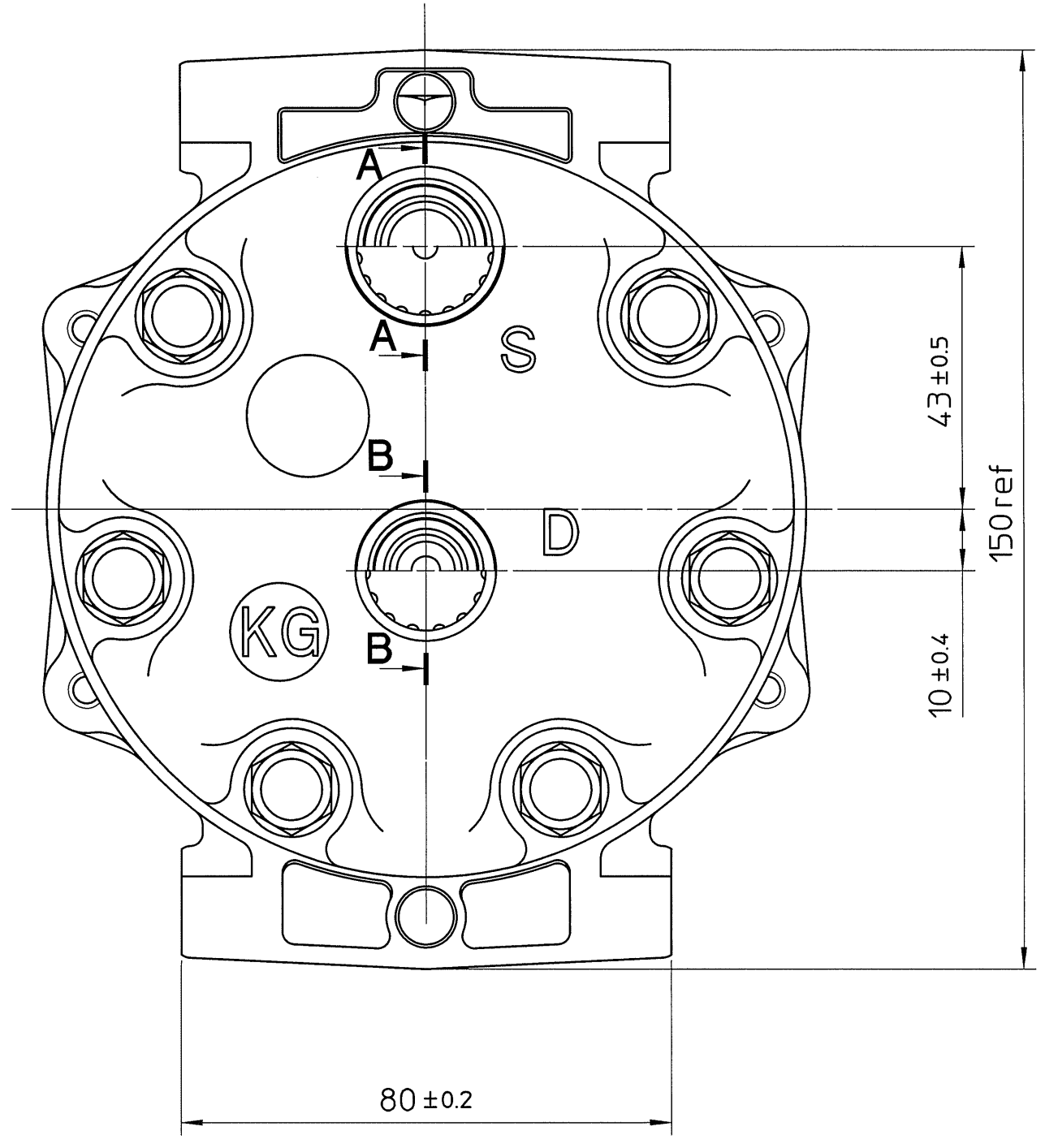
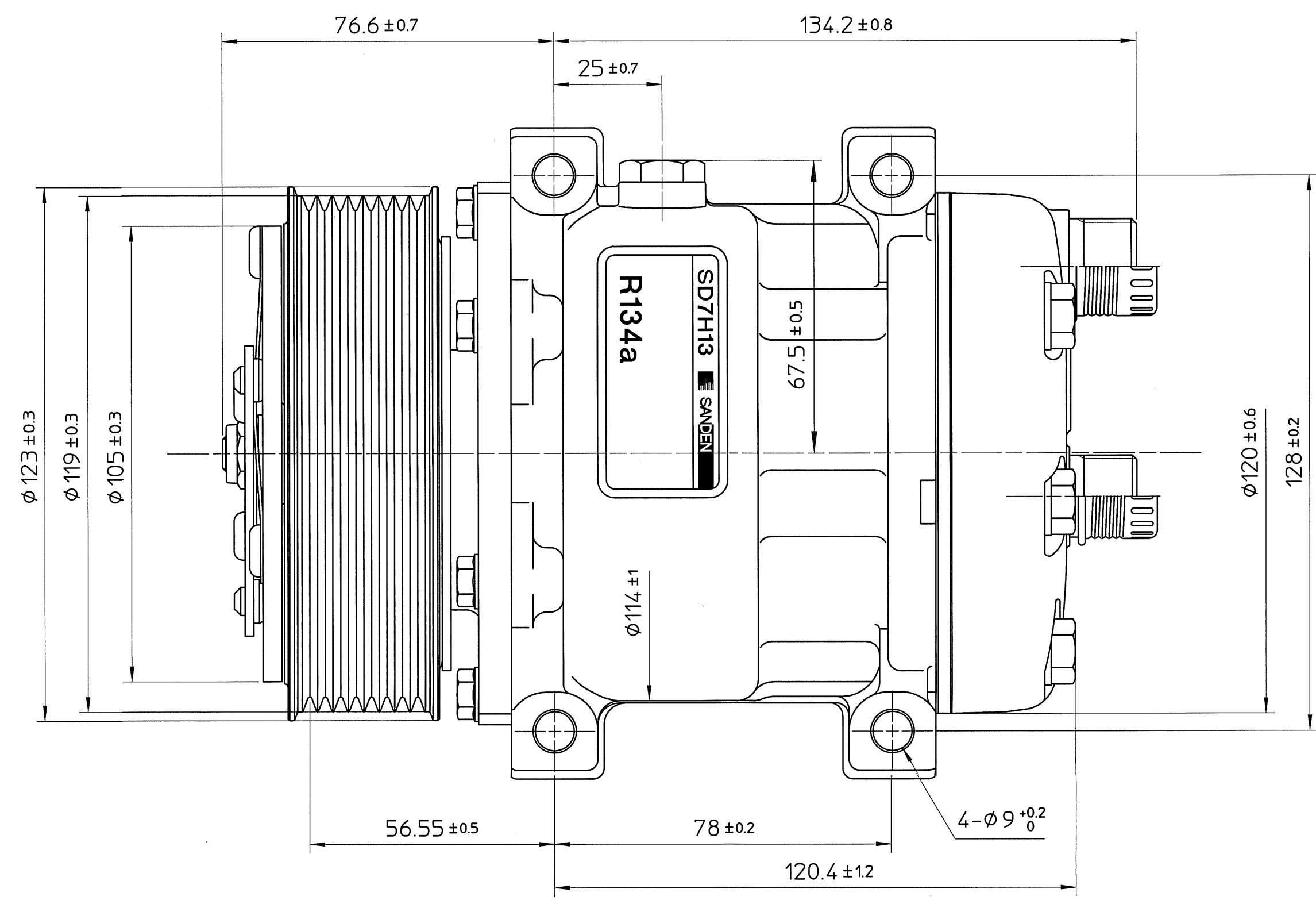
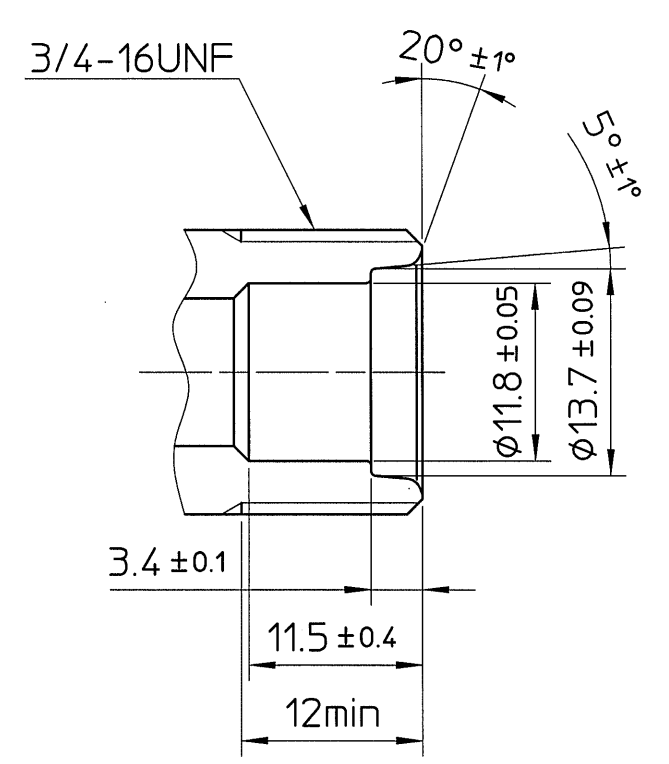
DETAIL OF ROTOR GROOVE (2:1)



PARTIAL SECT. A-A(2:1)



PARTIAL SECT. B-B(2:1)



COMPRESSOR SPECIFICATIONS

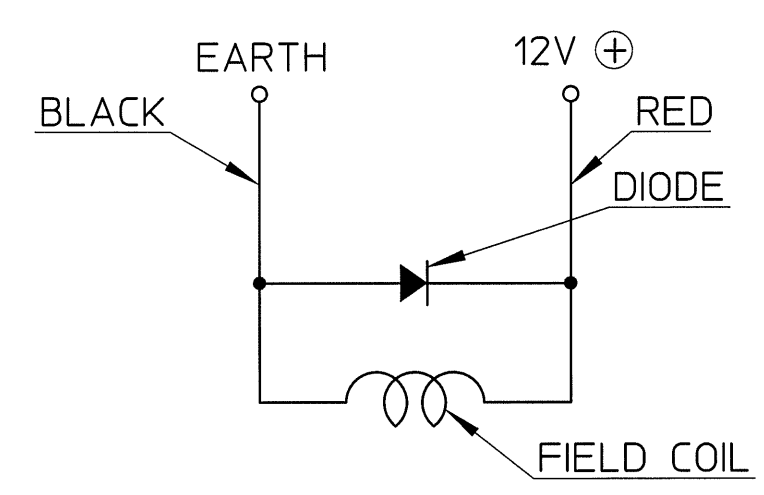
BORE	Ø29.3 mm
STROKE	27.4 mm
NUMBER OF CYLINDERS	7
DISPLACEMENT PER REVOLUTION	129.2 cm <sup>3</sup> /rev.
MAXIMUM ALLOWABLE CONTINUOUS SPEED	6000 r.p.m.
MAXIMUM DOWNSHIFT SPEED	7000 r.p.m.
REFRIGERANT	R-134a
OIL	SP-10 OR EQUIV.
OIL CHARGE	135 cm <sup>3</sup>
ROTATION	CLOCKWISE
WEIGHT	kg

CLUTCH SPECIFICATIONS

RATED VOLTAGE	DC 12 V
MINIMUM BREAKAWAY TORQUE	31.4 N·m
MINIMUM ENGAGEMENT VOLTAGE	DC 7.5 V
MAXIMUM POWER CONSUMPTION	43 W
MAXIMUM ALLOWABLE CONTINUOUS SPEED	6000 r.p.m.
MAXIMUM DOWNSHIFT SPEED	7000 r.p.m.
BELT TYPE	PV TYPE
PULLEY DIAMETER	Ø119 mm
WEIGHT	kg

NOTE  
 THE SPECIFICATION IS 3C STAMP.

CIRCUIT DIAGRAM



△				MATERIAL	PART NO.	NAME
△				THIRD ANGLE PROJECTION	SCALE 1:1	COMPRESSOR
△				DRAWN BY Y. Matsubara	DATE 21. Nov. 2008	MODEL SD7H13KG8971
△				CHECKED BY T. Asayama	DATE 24. Nov. 2008	DRAWING NO. 8971-6000
△				APPROVED BY S. Asayama	DATE 24. Nov. 2008	
NO.				REVISION RECORD	BY DATE	

1. Issue Date 108.11.26